



US007857782B2

(12) **United States Patent**
Tu et al.

(10) **Patent No.:** **US 7,857,782 B2**
(45) **Date of Patent:** ***Dec. 28, 2010**

(54) **OCULAR IMPLANT DELIVERY SYSTEM AND METHOD THEREOF**

(75) Inventors: **Hosheng Tu**, Newport Coast, CA (US); **Gregory T Smedley**, Aliso Viejo, CA (US); **David Haffner**, Mission Viejo, CA (US); **Barbara A Niksch**, Laguna Niguel, CA (US)

(73) Assignee: **Glaukos Corporation**, Laguna Hills, CA (US)

(*) Notice: Subject to any disclaimer, the term of this patent is extended or adjusted under 35 U.S.C. 154(b) by 225 days.

This patent is subject to a terminal disclaimer.

(21) Appl. No.: **12/366,585**

(22) Filed: **Feb. 5, 2009**

(65) **Prior Publication Data**
US 2009/0138022 A1 May 28, 2009

Related U.S. Application Data

(60) Division of application No. 11/598,542, filed on Nov. 13, 2006, now Pat. No. 7,563,241, which is a continuation of application No. 10/118,578, filed on Apr. 8, 2002, now Pat. No. 7,135,009.

(60) Provisional application No. 60/281,973, filed on Apr. 7, 2001.

(51) **Int. Cl.**
A61M 5/00 (2006.01)
A61F 11/00 (2006.01)

(52) **U.S. Cl.** **604/8; 604/9; 606/108**

(58) **Field of Classification Search** **604/8, 604/9, 264; 623/4.1, 6.12; 606/108**

See application file for complete search history.

(56) **References Cited**

U.S. PATENT DOCUMENTS

3,788,327 A 1/1974 Donowitz et al.

(Continued)

FOREIGN PATENT DOCUMENTS

AU 200072059 A1 7/2001

(Continued)

OTHER PUBLICATIONS

Phillip C. Jacobi, MD, Thomas S. Dietlein, MD and Gunter K. Kriegelstein, MD, Goniocurettage for Removing Trabecular Meshwork: Clinical Results of a new Surgical Technique in Advanced Chronic Open-Angle Glaucoma, *American Journal of Ophthalmology*, May 1999, pp. 505-510.

(Continued)

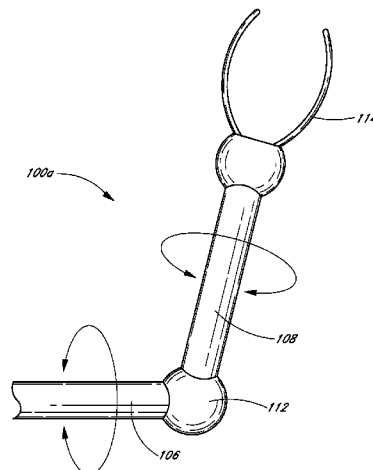
Primary Examiner—Leslie R Deak

(74) *Attorney, Agent, or Firm*—Knobbe, Martens, Olson & Bear LLP

(57) **ABSTRACT**

Systems and methods for treating ocular disorders are disclosed. One system has a delivery instrument, with a non-linear axis, configured to be inserted into an anterior chamber of an eye and moved to a location proximate a physiologic outflow pathway of the eye. The delivery instrument carries an implant that has a distal end sized for insertion into tissue such that aqueous humor drains from the anterior chamber to the physiologic outflow pathway. One method involves inserting a non-linear portion of a delivery device into the anterior chamber to position an implant within the eye. Another method involves using a delivery device with a curved distal portion to implant an implant at a location communicating with the physiologic outflow pathway. The delivery can be through a corneal incision and the implant can comprise a drug.

28 Claims, 29 Drawing Sheets



U.S. PATENT DOCUMENTS					
			5,557,453 A	9/1996	Schalz et al.
4,037,604 A	7/1977	Newkirk	5,558,629 A	9/1996	Baerveldt et al.
4,043,346 A	8/1977	Mobley et al.	5,558,630 A	9/1996	Fisher
4,113,088 A	9/1978	Binkhorst	5,558,637 A	9/1996	Allonen et al.
4,168,697 A	9/1979	Cantekin	5,562,641 A	10/1996	Flomenblit et al.
4,175,563 A	11/1979	Arenberg et al.	RE35,390 E	12/1996	Smith
4,366,582 A	1/1983	Faulkner	5,601,094 A	2/1997	Reiss
4,402,681 A	9/1983	Haas et al.	5,601,549 A	2/1997	Miyagi
4,428,746 A	1/1984	Mendez	5,626,558 A	5/1997	Suson
4,501,274 A	2/1985	Skjaerpe	5,626,559 A	5/1997	Solomon
4,521,210 A	6/1985	Wong	5,639,278 A	6/1997	Dereume et al.
4,554,918 A	11/1985	White	5,651,783 A	7/1997	Reynard
4,560,383 A	12/1985	Leiske	5,652,236 A	7/1997	Krauss
4,583,224 A	4/1986	Ishii et al.	5,663,205 A	9/1997	Ogawa et al.
4,604,087 A	8/1986	Joseph	5,665,114 A	9/1997	Weadock et al.
4,632,842 A	12/1986	Karwoski et al.	5,670,161 A	9/1997	Healy et al.
4,634,418 A	1/1987	Binder	5,676,679 A	10/1997	Simon et al.
4,718,907 A	1/1988	Karwoski et al.	5,681,275 A	10/1997	Ahmed
4,722,724 A	2/1988	Schocket	5,681,323 A	10/1997	Arick
4,733,665 A	3/1988	Palmaz	5,702,414 A	12/1997	Richter et al.
4,750,901 A	6/1988	Molteno	5,702,419 A	12/1997	Berry et al.
4,787,885 A	11/1988	Binder	5,704,907 A	1/1998	Nordquist et al.
4,800,890 A	1/1989	Cramer	5,713,844 A	2/1998	Peyman
4,804,382 A	2/1989	Turina et al.	5,723,005 A	3/1998	Herrick
4,820,626 A	4/1989	Williams et al.	5,741,333 A	4/1998	Frid
4,846,172 A	7/1989	Berlin	5,743,868 A	4/1998	Brown et al.
4,846,793 A	7/1989	Leonard et al.	5,752,928 A	5/1998	de Roulhac et al.
4,853,224 A	8/1989	Wong	5,766,242 A	6/1998	Wong et al.
4,863,457 A	9/1989	Lee	5,766,243 A	6/1998	Christensen et al.
4,883,864 A	11/1989	Scholz	5,767,079 A	6/1998	Glaser et al.
4,886,488 A	12/1989	White	5,785,674 A	7/1998	Mateen
4,900,300 A	2/1990	Lee	5,792,099 A	8/1998	DeCamp et al.
4,936,825 A	6/1990	Ungerleider	5,807,302 A	9/1998	Wandel
4,946,436 A	8/1990	Smith	5,810,870 A	9/1998	Myers et al.
4,968,296 A	11/1990	Ritch et al.	5,814,620 A	9/1998	Robinson et al.
4,997,652 A	3/1991	Wong	5,824,072 A	10/1998	Wong
5,005,577 A	4/1991	Frenkel	5,830,139 A	11/1998	Abreu
5,041,081 A	8/1991	Odrich	5,830,171 A	11/1998	Wallace
5,073,163 A	12/1991	Lippman	5,833,694 A	11/1998	Poncet
5,092,837 A	3/1992	Ritch et al.	5,836,939 A	11/1998	Negus et al.
5,095,887 A	3/1992	Leon et al.	5,840,041 A	11/1998	Petter et al.
5,127,901 A	7/1992	Odrich	5,865,831 A	2/1999	Cozean et al.
5,129,895 A	7/1992	Vassiliadis et al.	5,868,697 A	2/1999	Richter et al.
5,164,188 A	11/1992	Wong	5,869,468 A	2/1999	Freeman
5,171,213 A	12/1992	Price, Jr.	5,879,319 A	3/1999	Pynson et al.
5,178,604 A	1/1993	Baerveldt et al.	5,882,327 A	3/1999	Jacob
5,180,362 A	1/1993	Worst	5,886,822 A	3/1999	Spitzer
5,207,685 A	5/1993	Cinberg et al.	5,893,837 A	4/1999	Eagles et al.
5,246,451 A	9/1993	Trescony et al.	5,908,449 A	6/1999	Bruchman et al.
5,290,295 A	3/1994	Querals et al.	5,925,342 A	7/1999	Adorante et al.
5,300,020 A	4/1994	L'Esperance, Jr.	5,932,299 A	8/1999	Katoot
5,318,513 A	6/1994	Leib et al.	5,952,378 A	9/1999	Stjerschantz et al.
5,324,306 A	6/1994	Makower et al.	5,968,058 A	10/1999	Richter et al.
5,334,137 A	8/1994	Freeman	5,980,928 A	11/1999	Terry
5,338,291 A	8/1994	Speckman et al.	5,981,598 A	11/1999	Tatton
5,346,464 A	9/1994	Camras	6,004,302 A	12/1999	Brierley
5,360,399 A	11/1994	Stegmann	6,007,510 A	12/1999	Nigam
5,364,374 A	11/1994	Morrison et al.	6,007,511 A	12/1999	Prywes
5,370,607 A	12/1994	Memmen	6,033,434 A	3/2000	Borghia
5,370,641 A	12/1994	O'Donnell, Jr.	6,036,682 A	3/2000	Lange et al.
5,372,577 A	12/1994	Ungerleider	6,045,557 A	4/2000	White et al.
5,397,300 A	3/1995	Baerveldt et al.	6,050,970 A	4/2000	Baerveldt
5,433,701 A	7/1995	Rubinstein	6,050,999 A	4/2000	Paraschac et al.
5,443,505 A	8/1995	Wong et al.	6,059,772 A	5/2000	Hsia et al.
5,454,796 A	10/1995	Krupin	6,059,812 A	5/2000	Clerc et al.
5,472,440 A	12/1995	Beckman	6,060,463 A	5/2000	Freeman
5,476,445 A	12/1995	Baerveldt et al.	6,063,116 A	5/2000	Kelleher
5,486,165 A	1/1996	Stegmann	6,063,396 A	5/2000	Kelleher
5,502,052 A	3/1996	DeSantis	6,071,286 A	6/2000	Mawad
5,516,522 A	5/1996	Peyman et al.	6,077,299 A	6/2000	Adelberg et al.
5,520,631 A	5/1996	Nordquist et al.	6,102,045 A	8/2000	Nordquist et al.
5,547,993 A	8/1996	Miki	6,110,912 A	8/2000	Kaufman et al.
			6,123,668 A	9/2000	Abreu

US 7,857,782 B2

6,142,990	A	11/2000	Burk	7,662,123	B2	2/2010	Shields
6,159,458	A	12/2000	Bowman et al.	2002/0013546	A1	1/2002	Grieshaber et al.
6,165,210	A	12/2000	Lau et al.	2002/0013572	A1	1/2002	Berlin
6,168,575	B1	1/2001	Soltanpour	2002/0026200	A1	2/2002	Savage
6,174,305	B1	1/2001	Mikus et al.	2002/0072673	A1	6/2002	Yamamoto et al.
6,177,427	B1	1/2001	Clark et al.	2002/0099434	A1	7/2002	Buscemi et al.
6,184,250	B1	2/2001	Klimko et al.	2002/0133168	A1	9/2002	Smedley et al.
6,186,974	B1	2/2001	Allan et al.	2002/0143284	A1	10/2002	Tu et al.
6,187,016	B1	2/2001	Hedges et al.	2002/0188308	A1	12/2002	Tu et al.
6,193,656	B1	2/2001	Jeffries et al.	2003/0055372	A1	3/2003	Lynch et al.
6,194,415	B1	2/2001	Wheeler et al.	2003/0060752	A1	3/2003	Bergheim et al.
6,197,056	B1	3/2001	Schachar	2003/0069637	A1	4/2003	Lynch et al.
6,201,001	B1	3/2001	Wang et al.	2003/0088260	A1	5/2003	Smedley et al.
6,203,513	B1	3/2001	Yaron et al.	2003/0093084	A1	5/2003	Nissan et al.
6,217,895	B1	4/2001	Guo et al.	2003/0097151	A1	5/2003	Smedley et al.
6,228,873	B1	5/2001	Brandt et al.	2003/0181848	A1	9/2003	Bergheim et al.
6,231,597	B1	5/2001	Deem et al.	2003/0187384	A1	10/2003	Bergheim et al.
6,231,853	B1	5/2001	Hillman et al.	2003/0187385	A1	10/2003	Bergheim et al.
6,241,721	B1	6/2001	Cozean et al.	2003/0212383	A1	11/2003	Cote et al.
6,251,090	B1	6/2001	Avery et al.	2003/0229303	A1	12/2003	Haffner et al.
6,254,612	B1	7/2001	Hieshima	2003/0236483	A1	12/2003	Ren
6,261,256	B1	7/2001	Ahmed	2003/0236484	A1	12/2003	Lynch et al.
6,266,182	B1	7/2001	Morita	2004/0024345	A1	2/2004	Gharib et al.
6,268,398	B1	7/2001	Ghosh et al.	2004/0050392	A1	3/2004	Tu et al.
6,274,138	B1	8/2001	Bandman et al.	2004/0102729	A1	5/2004	Haffner et al.
6,287,256	B1	9/2001	Park et al.	2004/0111050	A1	6/2004	Smedley et al.
6,287,313	B1	9/2001	Sasso	2004/0127843	A1	7/2004	Tu et al.
6,299,895	B1	10/2001	Hammang et al.	2004/0225250	A1	11/2004	Yablonski
6,331,313	B1	12/2001	Wong et al.	2004/0254520	A1	12/2004	Porteous et al.
6,342,058	B1	1/2002	Portney	2004/0254521	A1	12/2004	Simon
6,348,042	B1	2/2002	Warren, Jr.	2005/0038334	A1	2/2005	Lynch et al.
6,375,642	B1	4/2002	Grieshaber et al.	2005/0049578	A1	3/2005	Tu et al.
6,402,734	B1	6/2002	Weiss	2005/0107734	A1	5/2005	Coroneo
6,413,540	B1	7/2002	Yaacobi	2005/0119737	A1	6/2005	Bene et al.
6,416,777	B1	7/2002	Yaacobi	2005/0192527	A1	9/2005	Gharib et al.
6,428,501	B1	8/2002	Reynard	2006/0069340	A1	3/2006	Simon
6,436,427	B1	8/2002	Hammang et al.	2007/0191863	A1	8/2007	De Juan et al.
6,450,937	B1	9/2002	Mercereau et al.	2007/0202186	A1	8/2007	Yamamoto et al.
6,450,984	B1	9/2002	Lynch et al.	2007/0233037	A1	10/2007	Gifford, III et al.
6,464,724	B1	10/2002	Lynch et al.	2008/0027304	A1	1/2008	Pardo et al.
6,494,857	B1	12/2002	Neuhann	2008/0058704	A1	3/2008	Hee et al.
6,524,275	B1	2/2003	Lynch et al.	2008/0306429	A1	12/2008	Shields et al.
6,530,896	B1	3/2003	Elliott	2009/0043321	A1	2/2009	Conston et al.
6,533,768	B1	3/2003	Hill	2010/0173866	A1	7/2010	Hee et al.
6,544,249	B1	4/2003	Yu et al.				
6,548,078	B2	4/2003	Guo et al.				
6,558,342	B1	5/2003	Yaron et al.				
6,579,235	B1	6/2003	Abita et al.				
6,585,680	B2	7/2003	Bugge				
6,595,945	B2	7/2003	Brown				
6,622,473	B2	9/2003	Lynch et al.				
6,626,858	B2	9/2003	Lynch et al.				
6,629,981	B2	10/2003	Bui et al.				
6,638,239	B1	10/2003	Bergheim et al.				
6,666,841	B2	12/2003	Gharib et al.				
6,699,211	B2	3/2004	Savage				
6,726,676	B2	4/2004	Stegmann et al.				
D490,152	S	5/2004	Myall et al.				
6,736,791	B1	5/2004	Tu et al.				
6,780,164	B2	8/2004	Bergheim et al.				
6,780,165	B2	8/2004	Kadziauskas et al.				
6,783,544	B2	8/2004	Lynch et al.				
6,827,699	B2	12/2004	Lynch et al.				
6,827,700	B2	12/2004	Lynch et al.				
6,955,656	B2	10/2005	Bergheim et al.				
6,962,573	B1	11/2005	Wilcox				
7,033,603	B2	4/2006	Nelson et al.				
7,041,077	B2	5/2006	Shields				
7,077,821	B2	7/2006	Durgin				
7,094,225	B2	8/2006	Tu et al.				
7,101,402	B2	9/2006	Phelps et al.				
7,135,009	B2	11/2006	Tu et al.				
7,291,125	B2	11/2007	Coroneo				

FOREIGN PATENT DOCUMENTS

CA	2244646	A1	2/1999
DE	198 40 047	A1	3/2000
EP	0 858 788	A1	8/1998
EP	0 898 947	A2	3/1999
EP	1 114 627	A1	7/2001
FR	2 710 269	A1	3/1995
FR	2 721 499		12/1995
GB	2 296 663	A	7/1996
JP	11-123205		5/1999
WO	WO 89/00869	A1	2/1989
WO	WO 91/18568	A1	12/1991
WO	WO 92/19294	A1	11/1992
WO	WO 94/13234	A1	6/1994
WO	WO 94/21205	A1	9/1994
WO	WO 95/08310	A1	3/1995
WO	WO 96/20742	A1	7/1996
WO	WO 98/30181	A1	7/1998
WO	WO 98/35639	A1	8/1998
WO	WO 99/26567	A1	6/1999
WO	WO 99/30641	A1	6/1999
WO	WO 99/38470	A2	8/1999
WO	WO 99/38470	A3	8/1999
WO	WO 00/13627	A1	3/2000
WO	WO 00/64389	A1	11/2000
WO	WO 00/64390	A1	11/2000
WO	WO 00/64391	A1	11/2000

WO	WO 00/64393	A1	11/2000
WO	WO 00/72788	A1	12/2000
WO	WO 01/50943	A2	7/2001
WO	WO 01/78631	A2	10/2001
WO	WO 01/78656	A2	10/2001
WO	WO 02/074052	A2	9/2002
WO	WO 03/015659	A2	2/2003
WO	WO 03/073968	A2	9/2003
WO	WO 2009/012406	A1	1/2009

OTHER PUBLICATIONS

- Phillip C. Jacobi, MD, Thomas S. Dietlein, MD and Gunter K. Kriegelstein, MD Bimanual Trabecular Aspiration in Pseudoexfoliation Glaucoma, *Ophthalmology*, 1998, vol. 105, No. 5, May 1998, pp. 886-894.
- Phillip C. Jacobi, MD, Thomas S. Dietlein, MD and Gunter K. Kriegelstein, MD Microendoscopic Trabecular Surgery in Glaucoma Management, *Ophthalmology*, 1999 vol. 106, No. 3, pp. 538-544.
- Arthur L. Schwartz, MD, & Douglas R. Anderson, MD, Trabecular Surgery, *Arch Ophthalmol*, vol. 92, Aug. 1974, pp. 134-138.
- R.A. Hill, Q. Ren, D.C. Nguyen, L.H. Liaw, & M.W. Berns, Free-electron Laser (FEL) Ablation of Ocular Tissues, *Lasers Med Sci* 1998, vol. 13, pp. 219-226.
- Maurice H. Luntz, MD & D.G. Livingston, B.Sc., Trabeculotomy AB Externo & Trabeculectomy in Congenital and Adult-Onset Glaucoma, *American Journal of Ophthalmology*, Feb. 1977, vol. 83, No. 2, pp. 174-179.
- W.M. Grant, MD, Further Studies on Facility of Flow Through the Trabecular Meshwork, *AMA Archives of Ophthalmology*, Oct. 1958, vol. 60, pp. 523-533.
- Richard A. Hill, MD, George Baerveldt, MD, Serdar A. Ozler, MD, Michael Pickford, BA, Glen A. Profeta, BS, & Michael W. Berns, PhD, Laser Trabecular Ablation (LTA), *Lasers in Surgery and Medicine*, 1991, vol. 11, pp. 341-346.
- Detlev Spiegel, MD, Karin Kobuch, MD, Richard A. Hill, MD, Ronald L. Gross, MD, Schlemm's Canal Implant: A New Method to Lower Intraocular Pressure in Patients With POAG?, *Ophthalmic Surgery and Lasers*, Jun. 1999, vol. 30, No. 6, pp. 492-494.
- L. Jay Katz, MD, A Call for Innovative Operations for Glaucoma, *Arch Ophthalmology*, Mar. 2000, vol. 118, pp. 412-413.
- Anselm Kampik & Franz Grehn, Nutzen und Risiken Augenärztlicher Therapie, *Hauptreferate der XXIII, Essener Fortbildung für Augenärzte*, Detlev Spiegel, 7 chirurgische Glaucomtherapie, Dec. 1998. (English translated version enclosed "Benefits and Risk of Ophthalmological Therapy").
- Hans Hoerauf, Christopher Wirbelauer, Christian Scholz, Ralf Engelhardt, Peter Koch, Horst Laqua, and Reginald Birngruber, *Slit-lamp-adapted optical coherence tomography of the anterior segment*, Graefe's Arch Clin Exp Ophthalmol, 2000, vol. 238, pp. 8-18.
- Sumita Radhakrishnan, Andrew M. Rollins, Jonathan E. Roth, S. Yazddanfar, Volker Westphal, David Bardenstein, and Joseph Izatt, *Real-Time Optical Coherence Tomography of the Anterior Segment at 1310 nm*, Arch Ophthalmology, Aug. 2001, vol. 119, pp. 1179-1185.
- I. Grierson, R.C. Howes, and Q. Wang, *Age-related Changes in the Canal of Schlemm*, Exp. Eye Res., 1984, vol. 39, pp. 505-512.
- Luanna K. Putney, Cecile Rose T. Vibat, and Martha E. O'Donnell, *Intracellular C1 Regulates Na-K-Cl Cotransport Activity in Human Trabecular Meshwork Cells*, 1999 American Physiological Society, Sep. 1999, pp. C373 through C383.
- Edited by Kevin Strange, *Cellular and Molecular Physiology of Cell Volume Regulation*, Library of Congress Cataloging in-Publication Data, CRC Press, Inc., pp. 312-321.
- William Tatton, Ruth M.E. Chalmers-Redman, Ajay Sud, Steven M. Podos, and Thomas Mittag, *Maintaining Mitochondrial Membrane Impermeability: An Opportunity for New Therapy in Glaucoma*, Survey of Ophthalmology, vol. 45, Supplement 3, May 2001, pp. S277 through S283.
- Robert W. Nickells, *Apoptosis of Retinal Ganglion Cells in Glaucoma: An Update of the Molecular Pathways Involved in Cell Death*, Survey of Ophthalmology, vol. 43, Supplement 1, Jun. 1999, pp. S-151 through S-161.
- Grune & Stratton, Harcourt Brace Jovanovich Publishers, edited by J.E. Cairns, *Glaucoma, vol. 1, Chapter 14, Anatomy of the Aqueous Outflow Channels*, by Johannes W. Rohen, pp. 277-296.
- Yasuhiro Matsumoto and Douglas H. Johnson, *Trabecular Meshwork Phagocytosis in Glaucomatous Eyes*, Ophthalmologica 1977, vol. 211, pp. 147-152.
- M. Bruce Shields, MD, *A Study Guide for Glaucoma: Aqueous Humor Dynamics*, Copyright 1982, pp. 6-43.
- M.A. Johnstone, R. Stegmann, and B.A. Smit, *American Glaucoma Society, 12th Annual Meeting, Cylindrical Tubular Structures Spanning from Trabecular Meshwork Across SC*, Laboratory Studies with SEM, TEM and Tracers Correlated with Clinical Findings, p. 39.
- W.G. Tatton, *Apoptotic Mechanisms in Neurodegeneration: Possible Relevance to Glaucoma*, European Journal of Ophthalmology, Jan.-Mar. 1999, vol. 9, Supplement 1, pp. S22 through S29.
- Cindy K. Bahler, BS, Gregory T. Smedley, PhD, Jianbo Zhou, PhD, Douglas H. Johnson, MD., *Trabecular Bypass Stents Decrease Intraocular Pressure in Cultured Human Anterior Segments*, American Journal of Ophthalmology, Dec. 2004, vol. 138, pp. 988-994.
- Jianbo Zhou, PhD, Gregory T. Smedley, PhD., *A Trabecular Bypass Flow Hypothesis*, Feb. 2005, vol. 14 No. 1, pp. 74-83.
- U.S. Appl. No. 09/452,963, filed Dec. 2, 1999. Title: *Expandable/Retractable Stent for Venous and Valvular Annulus Use*.
- Jocson, Vincente, L., M.D.; *Air Trabeculotomy*; American Journal of Ophthalmology: vol. 79, No. 1, Jan.-Jun. 1975; pp. 107-111.
- Daniel A. Fletcher, Ph.D., Daniel V. Palanker, Ph.D., Philip Hule, M.D., Jason Miller, MS, Michael F. Marmor, M.D. and Mark S. Blumenkranz, M.D.; *Intravascular Drug Delivery With a Pulsed Liquid Microjet*; (Reprinted) Arch Ophthalmology; vol. 120, Sep. 2002, pp. 1206-1208.
- Troncoso, Manuel U., Tantalum implants for inducing hypotony, American Journal of Ophthalmology, vol. 32, No. 4, Apr. 1949, pp. 499-508 (11 pages).
- Extended European Search Report in corresponding European Application No. 08102896.1, dated Sep. 5, 2008, 7 pp.
- Dorland's illustrated Medical Dictionary, 28th Edition, Philadelphia: W.B. Saunders Company, 1994, p. 167.
- Rosenberg, et al., "Implants in Glaucoma Surgery", The Glaucomas, 1996, Chapter 88, pp. 1783-1807 (27 pages).
- Jens F. Jordan, Thomas S. Dietlein, Sven Dinslage, Christoph Lüke, Walter Konen, Günter K. Kriegelstein, *Cyclodialysis ab interno as a surgical approach to intractable glaucoma*, Graefe's Arch Clin Exp Ophthalmol (2007) 245:1071-1076.
- Jens F. Jordan, MD; Bert F. Engels, MD; Sven Dinslage, MD; Thomas S. Dietlein, MS; Helen D. Ayerley, MD; Sigrid Roters, MD; Peter Esser, MD; Walter Konen, MD; and Günter K. Kriegelstein, MS, *A Novel Approach to Suprachoroidal Drainage for the Surgical Treatment of Intractable Glaucoma*, J Glaucoma, vol. 15, No. 3, Jun. 2006, pp. 200-205.
- M. Klemm, A. Balazs, J. Draeger, R. Wieszorrek, *Experimental use of space-retaining substances with extended duration: functional and morphological results*, Graefe's Arch Clin Exp Ophthalmol (1995) 233:592-597.
- Timothy W. Olson, MD; Xiao Feng, MD; Kathy Wabner, BA; Stanley R. Conston, BS; David H. Sierra, Ph.D.; David V. Folden, MD; Morton E. Smith, MD; and J. Douglas Cameron, MD, *Cannulation of the Suprachoroidal Space: A Novel Drug Delivery Methodology to the Posterior Segment*, American Journal of Ophthalmology, vol. 142, No. 5, Nov. 2006, pp. 777-787.e2.
- Patrick J. Rowan, MD, *Combined Cyclodialysis and Cataract Surgery*, Ophthalmic Surgery and Lasers, Dec. 1998, vol. 29, No. 12, pp. 962-968 (9 pages).
- Manuel Uribe Troncoso, M.D., *Cyclodialysis with Insertion of a Metal Implant in the Treatment of Glaucoma*, Read before the Section on Ophthalmology at the Ninetieth Annual Session of the American Medical Association, St. Louis, May 17, 1939, Archives of Ophthalmology, pp. 270-300, downloaded from www.archophtholmol.com on Aug. 5, 2010.
- Wagner, Justin A., Edwards, Aurélie, and Schuman, Joel S., *Characterization of Uveoscleral Outflow in Enuclated Porcine Eyes Perfused Under Constant Pressure*, Invest Ophthalmol Vis Sci. Sep. 2004; 45(9): 3203-3206 (9 pages).

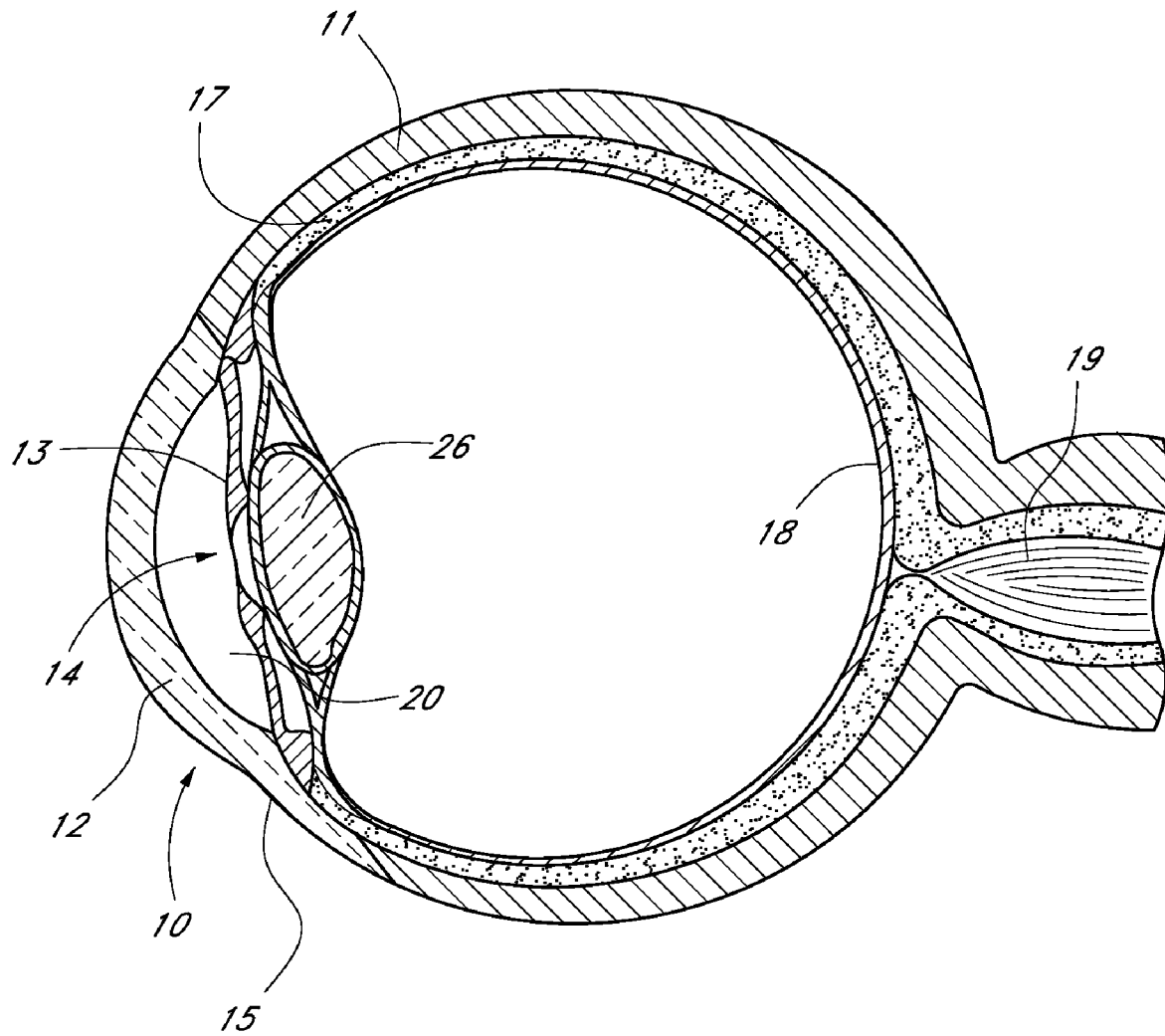


FIG. 1

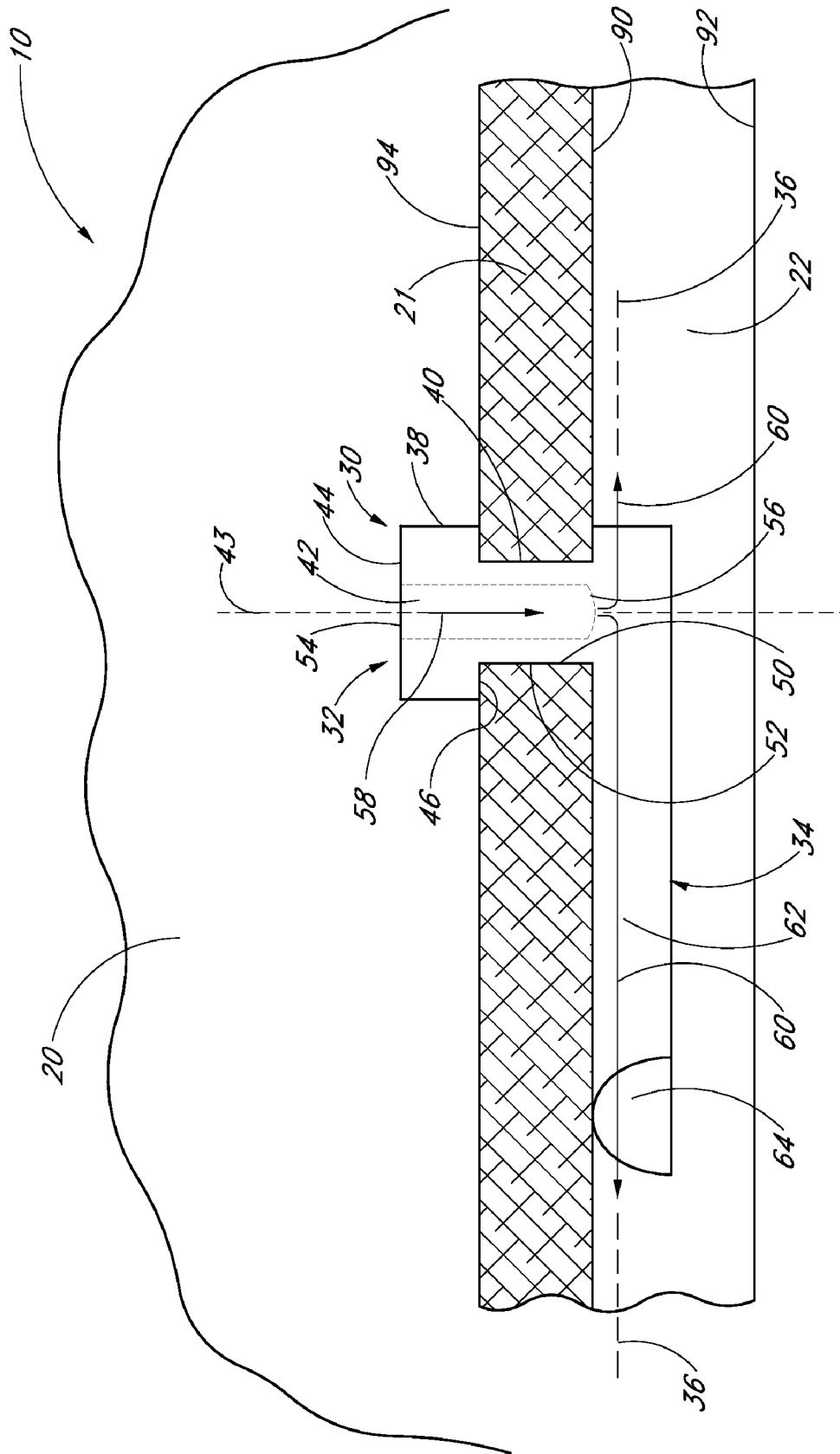


FIG. 3

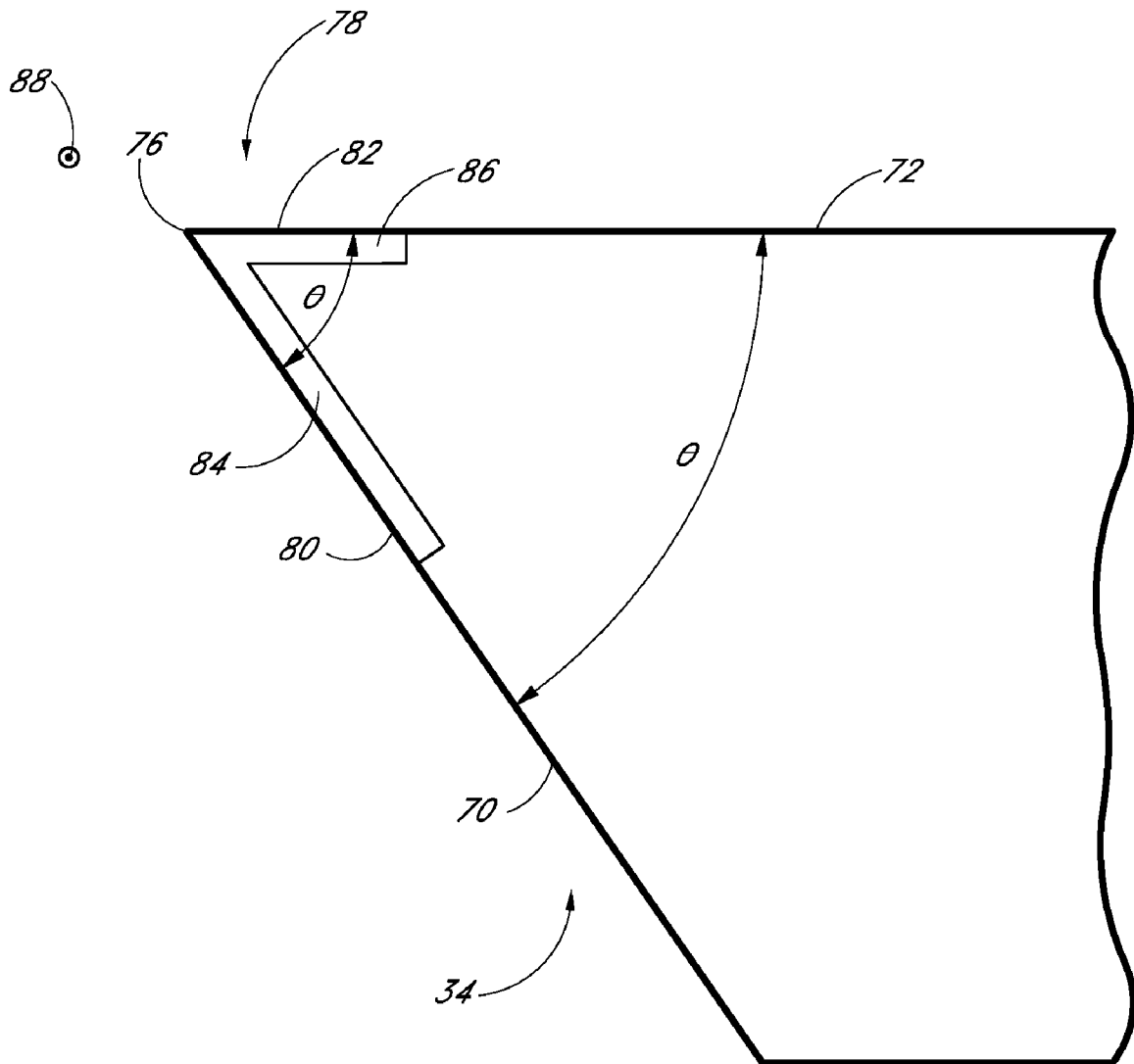


FIG. 9

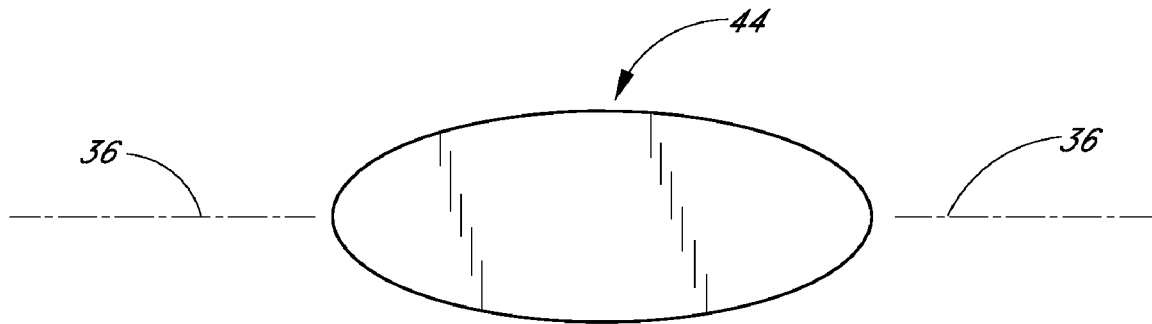


FIG. 10

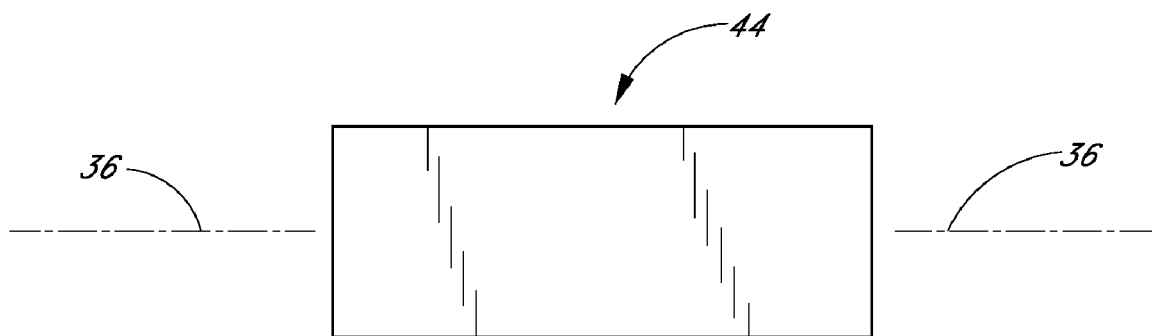


FIG. 11

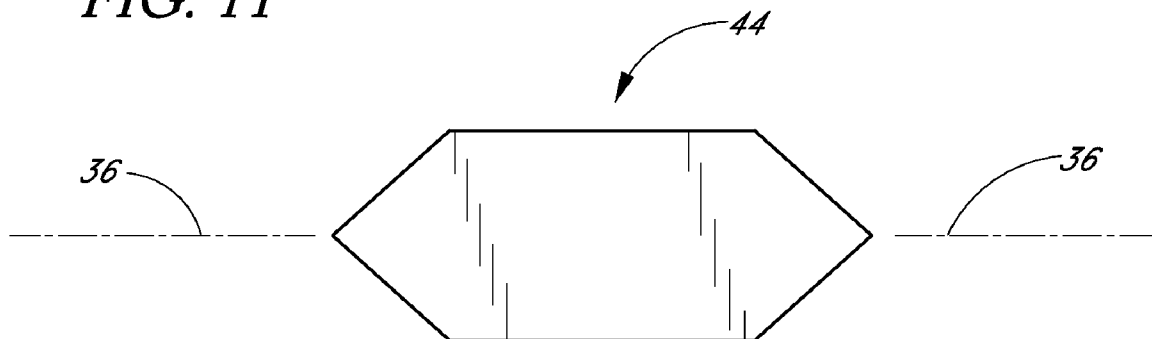


FIG. 12

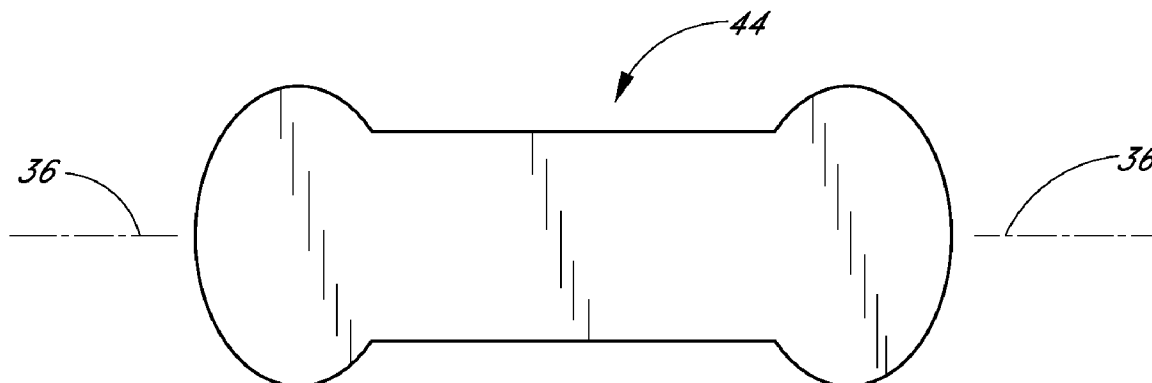


FIG. 13

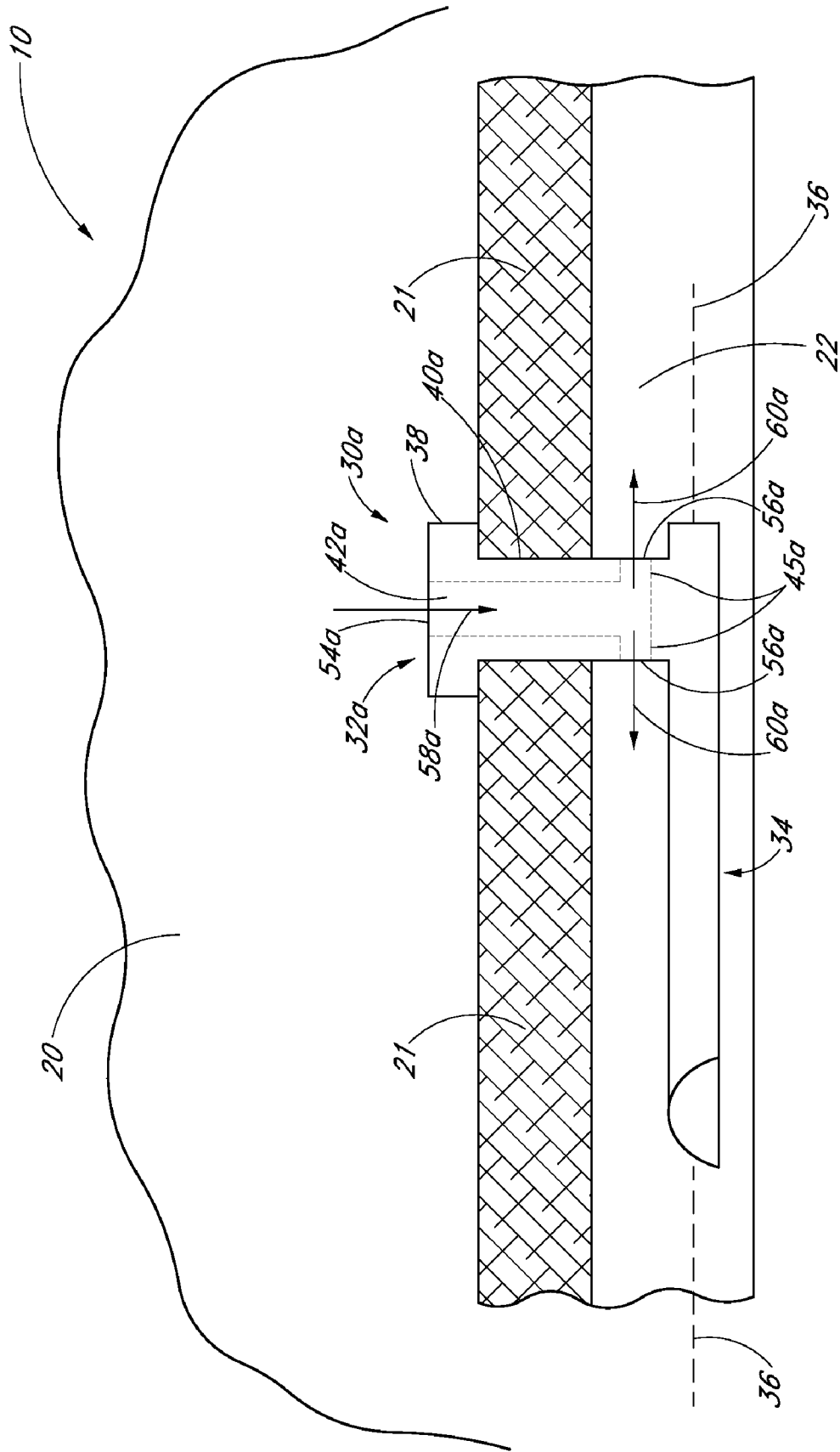


FIG. 14

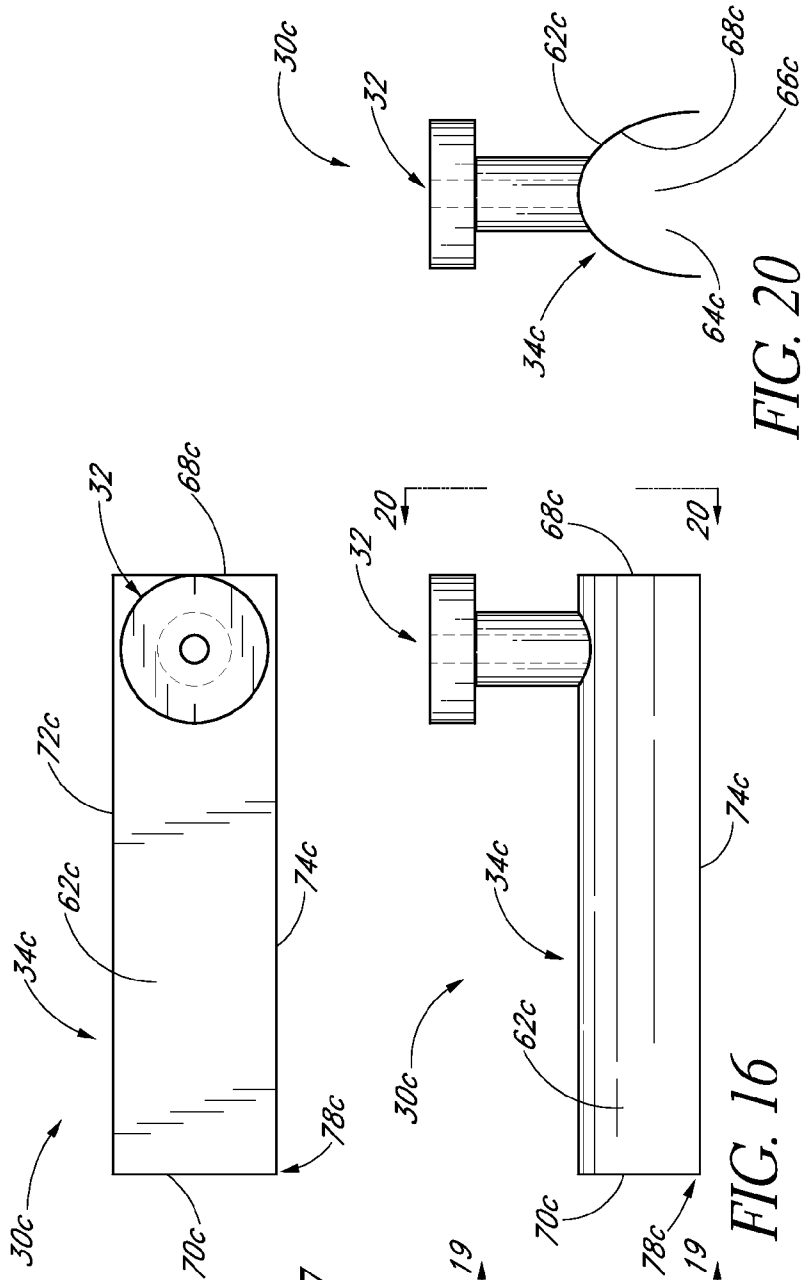


FIG. 16

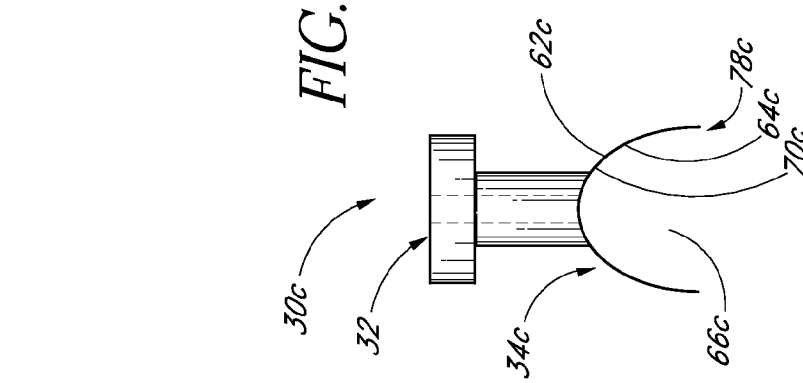


FIG. 17



FIG. 18

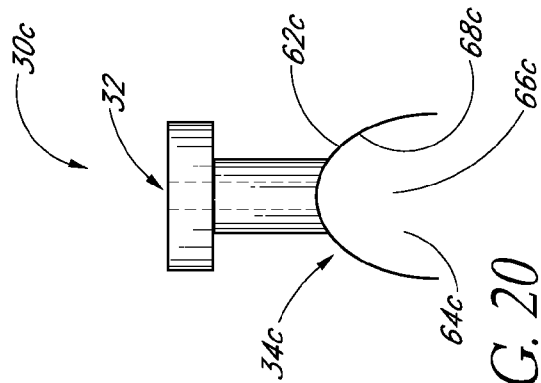


FIG. 19

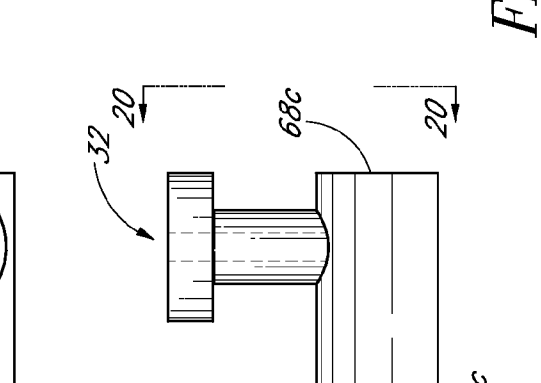


FIG. 20

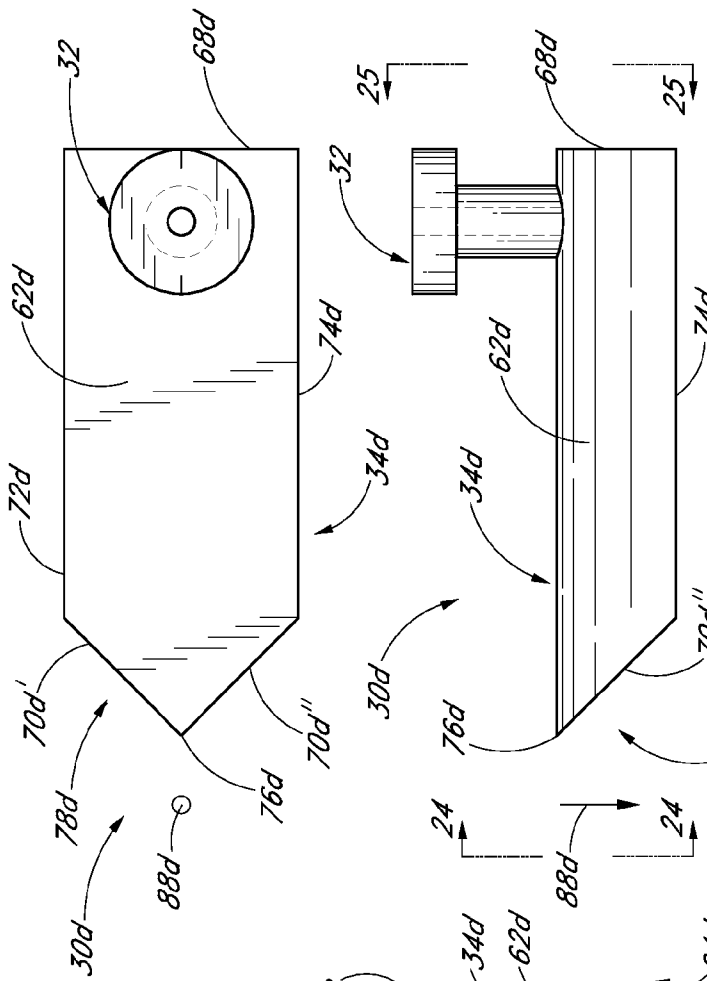


FIG. 21

FIG. 22

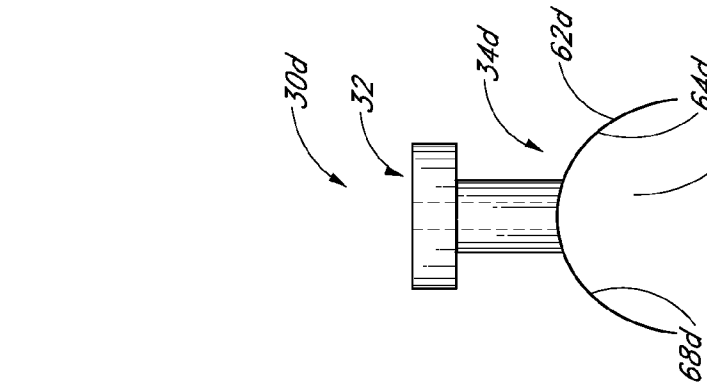


FIG. 23

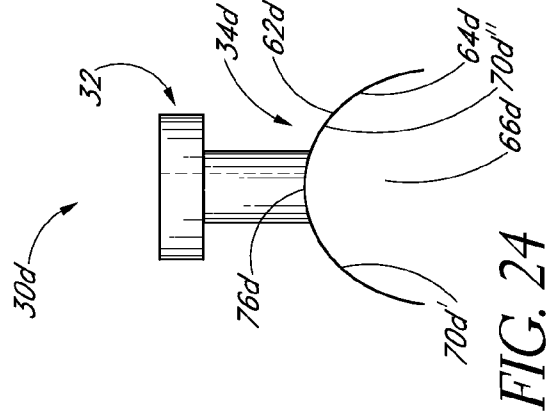
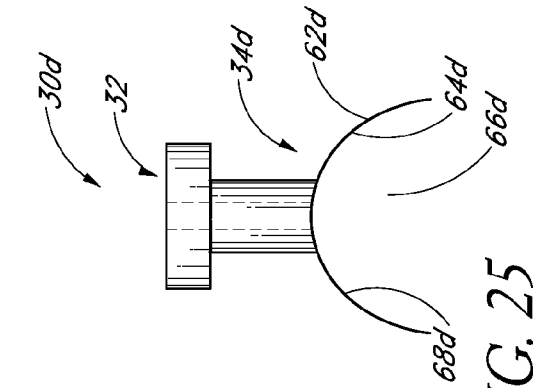


FIG. 24

FIG. 25



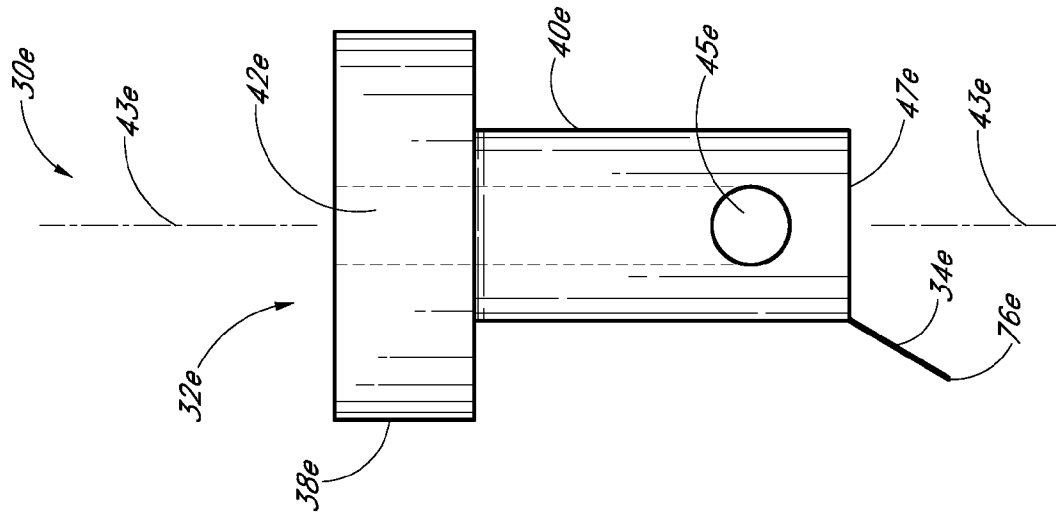


FIG. 26

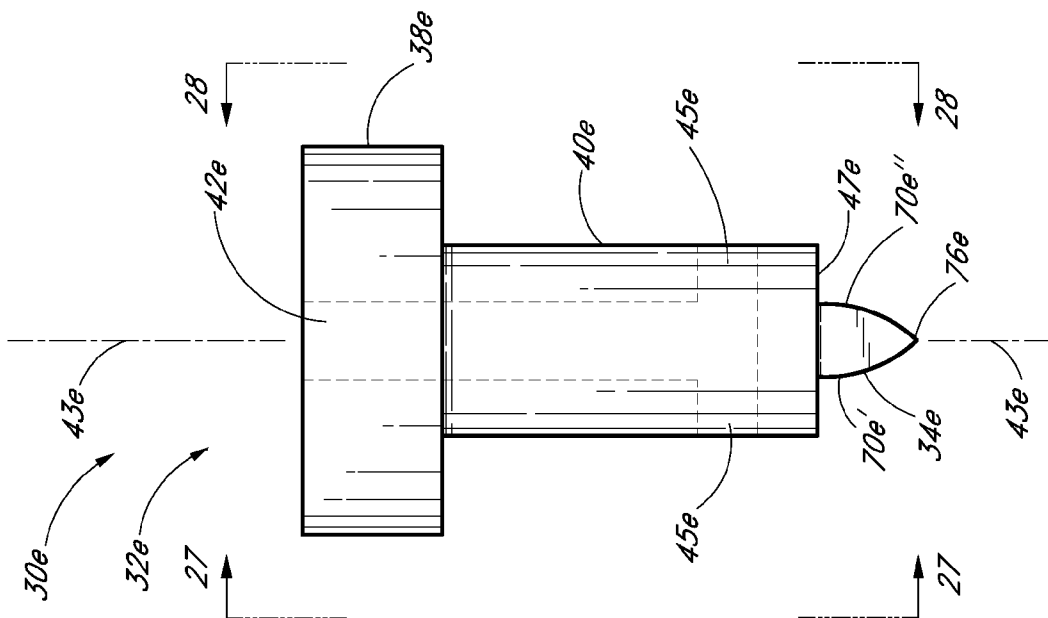


FIG. 27

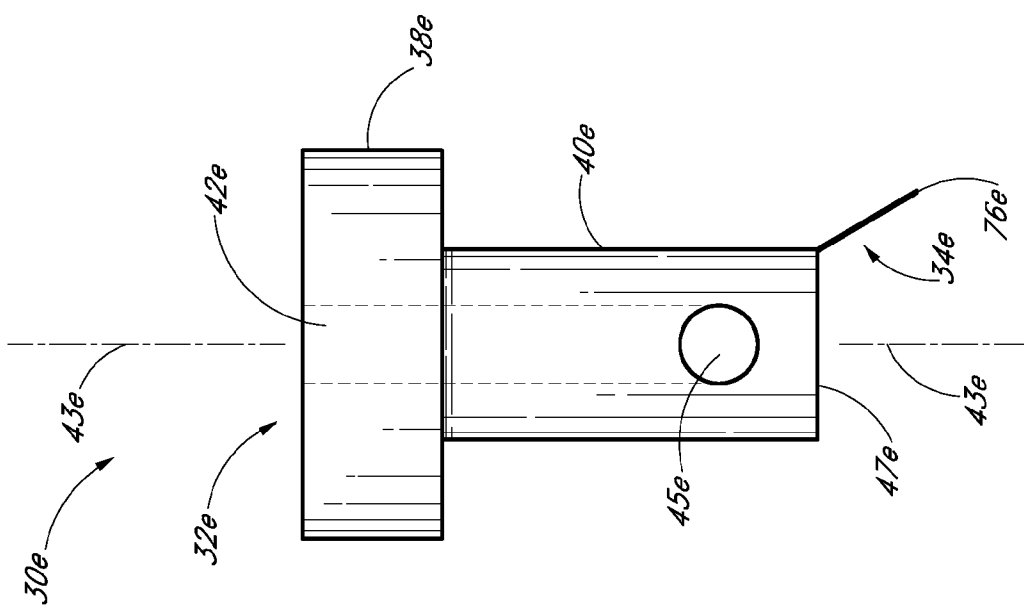


FIG. 28

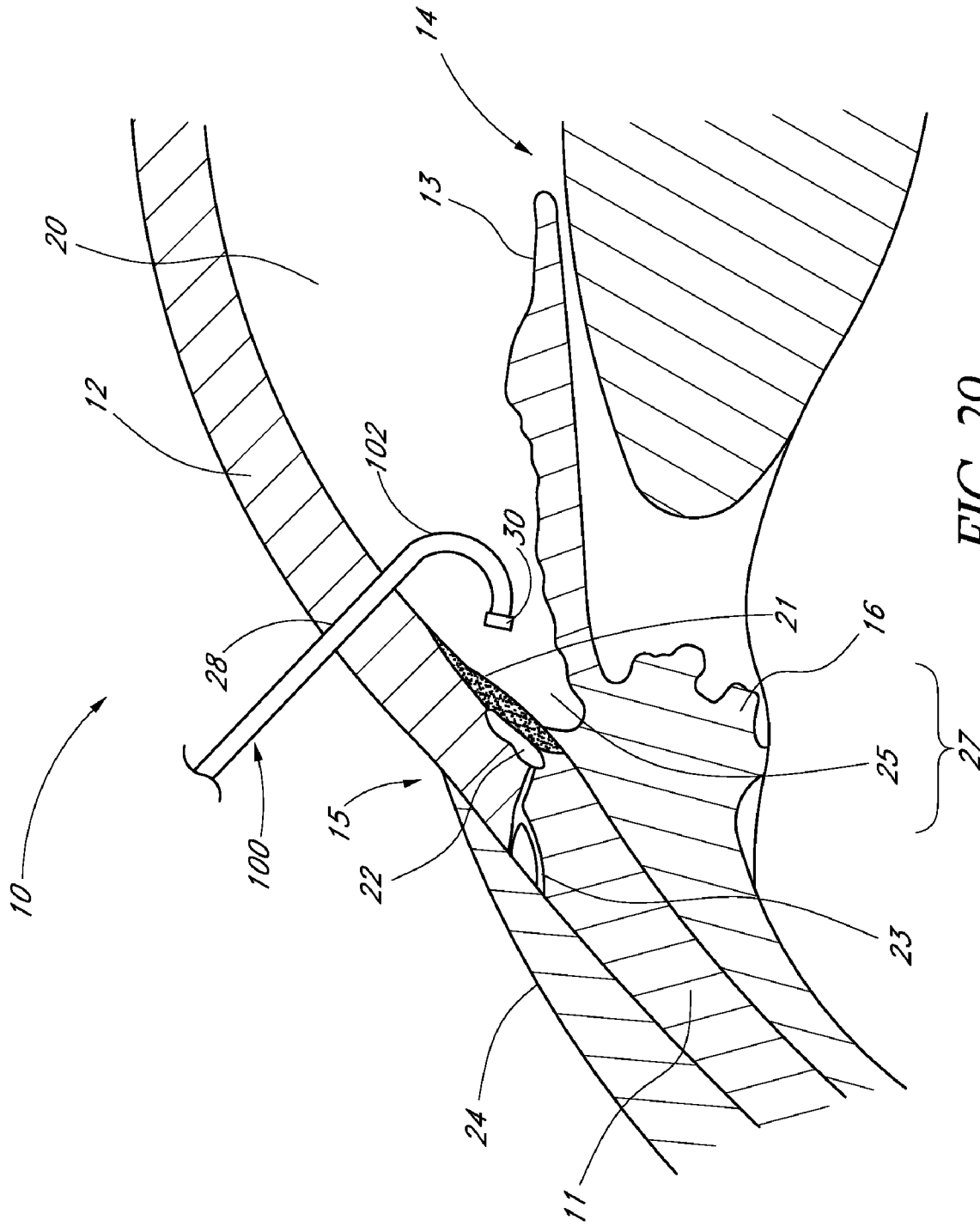


FIG. 29

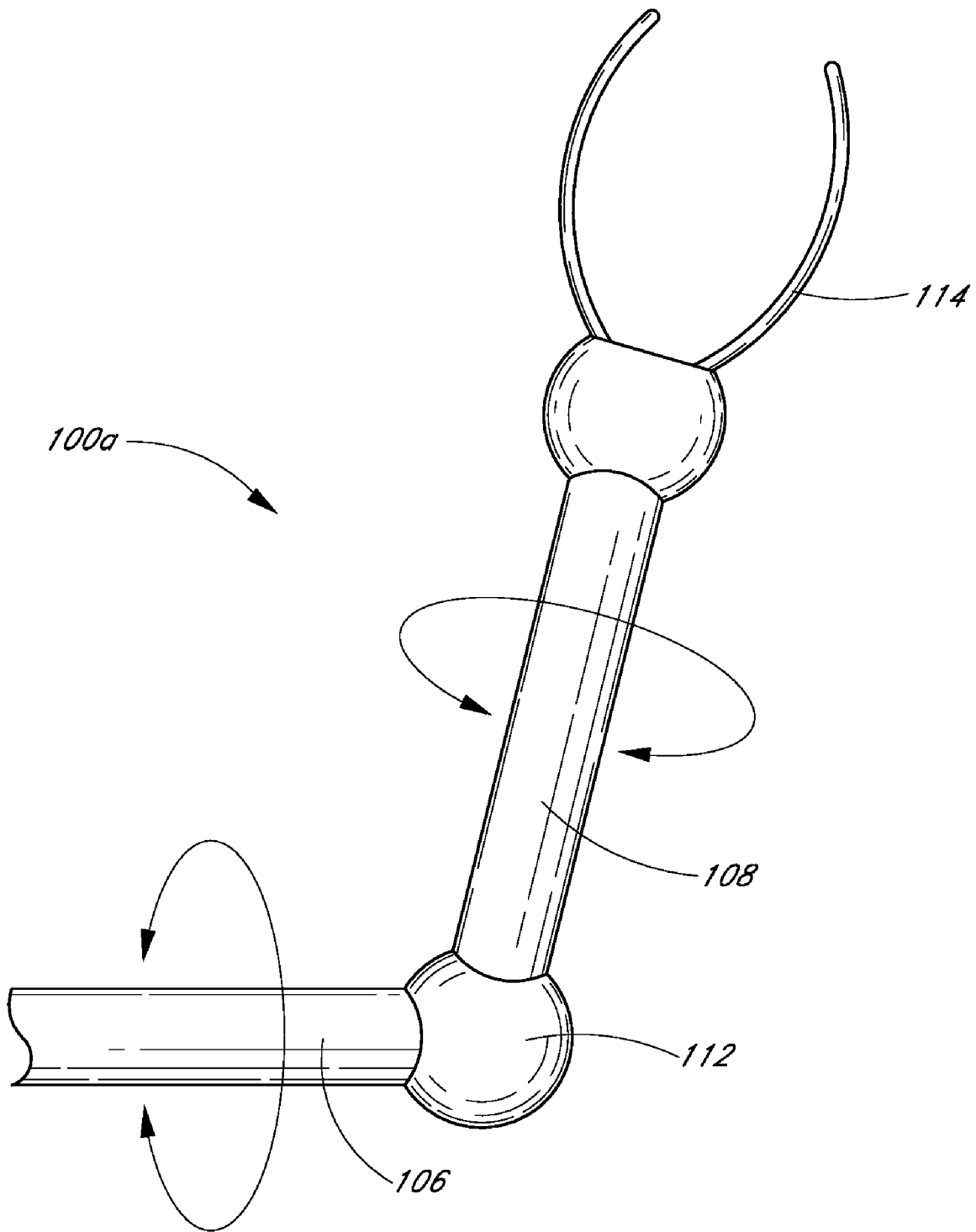


FIG. 30

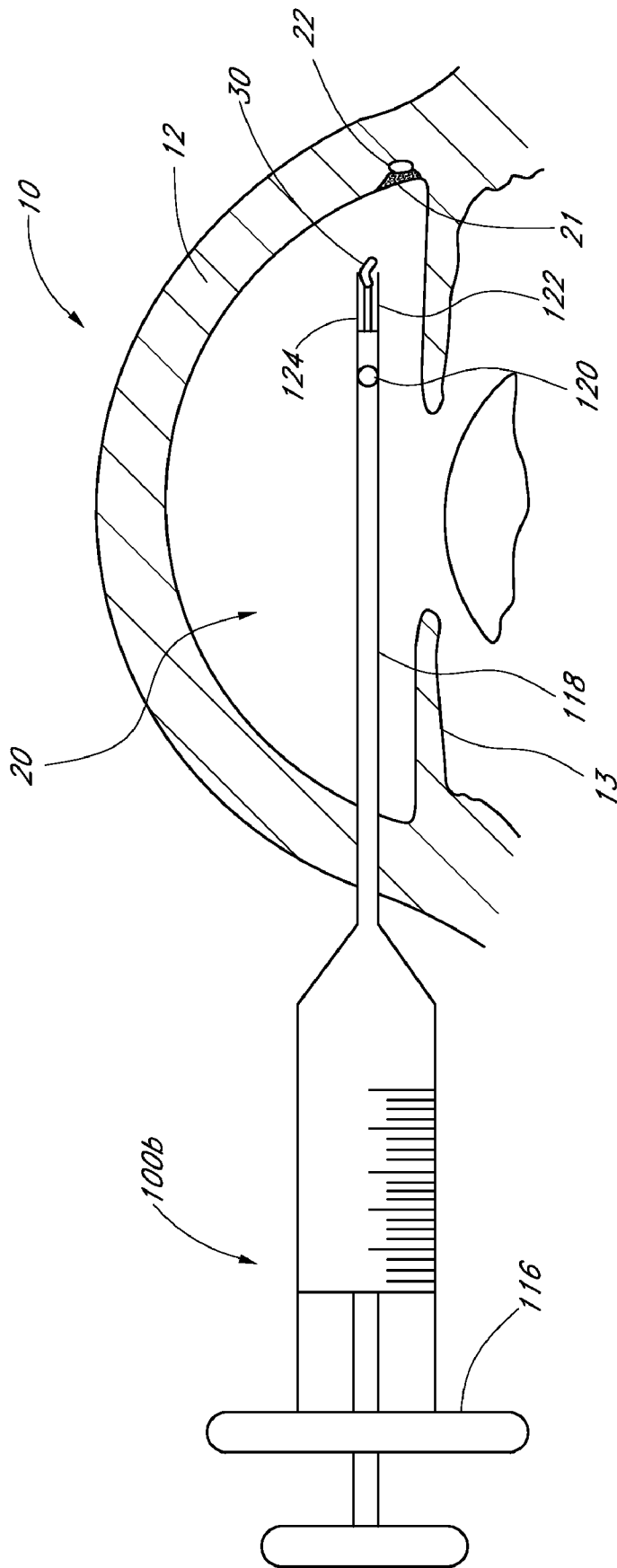


FIG. 31

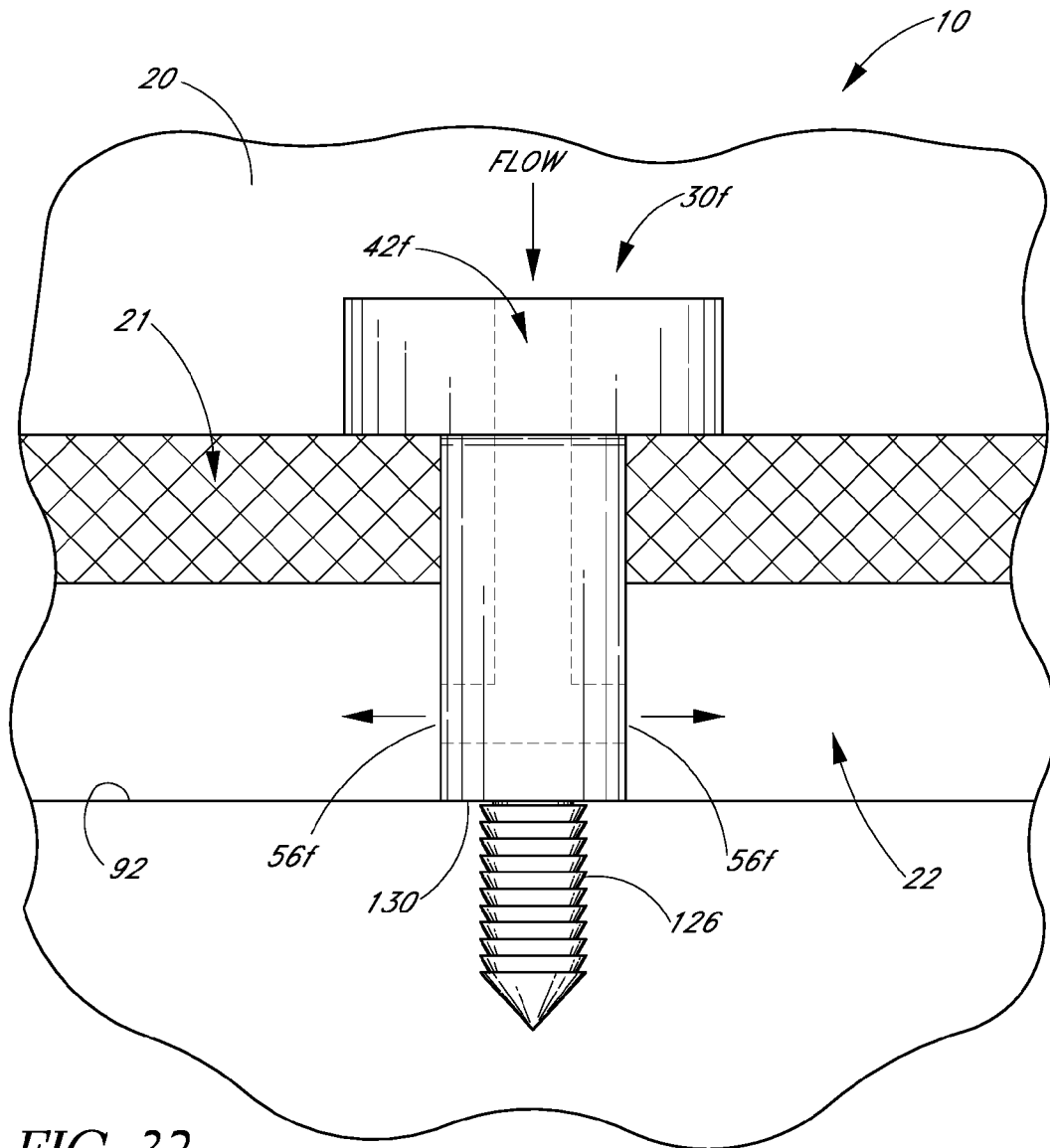


FIG. 32

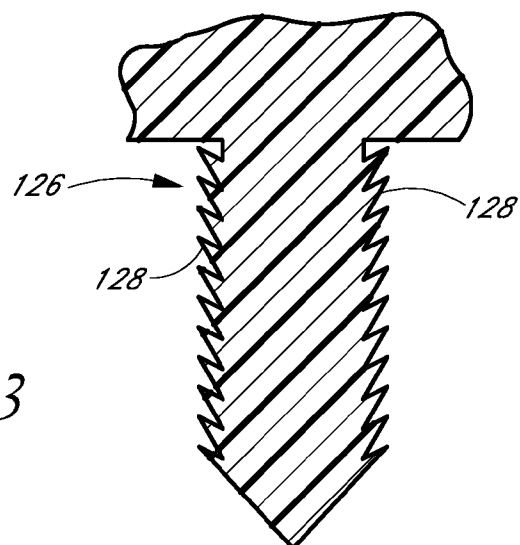


FIG. 33

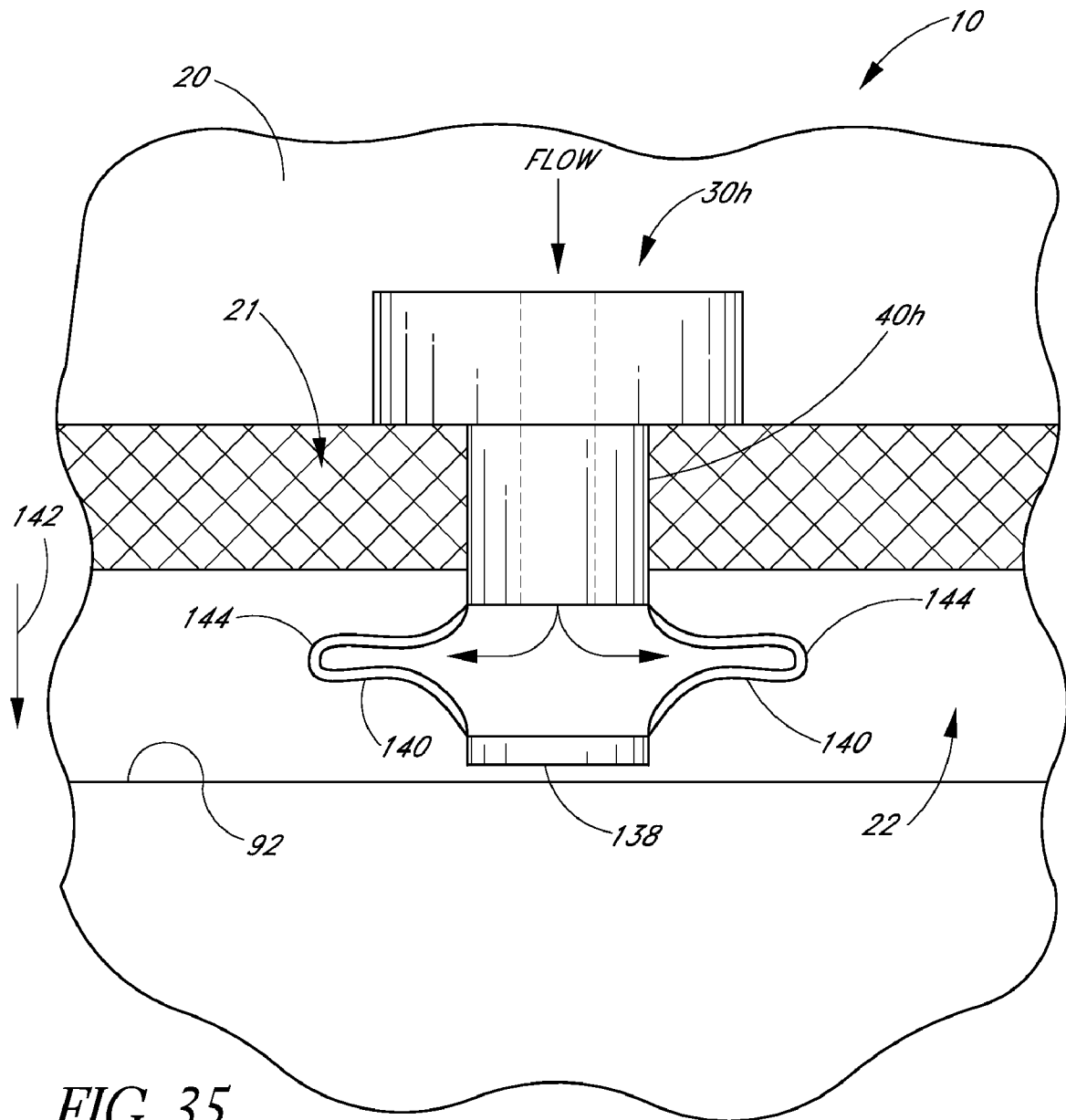


FIG. 35

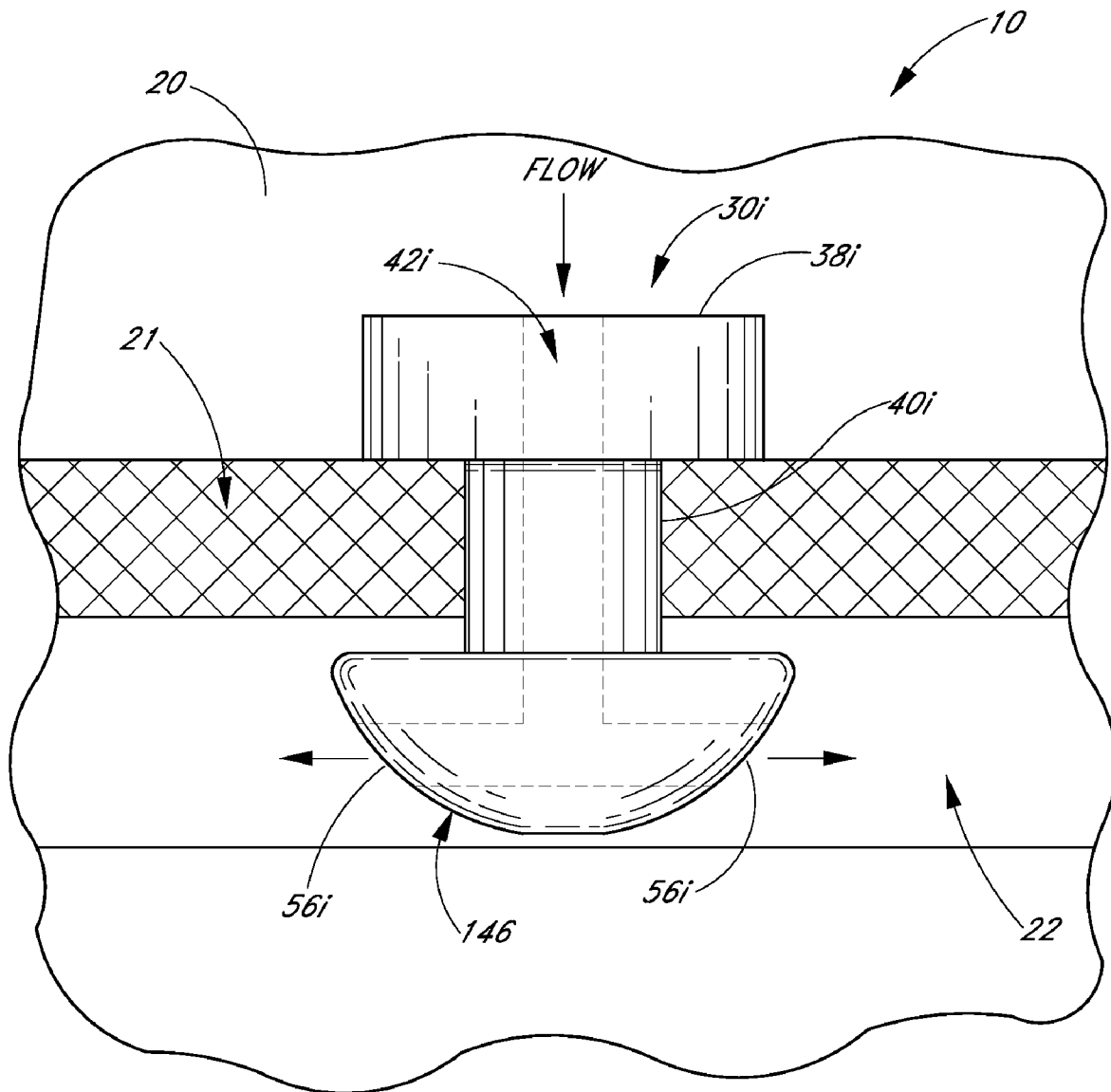


FIG. 36

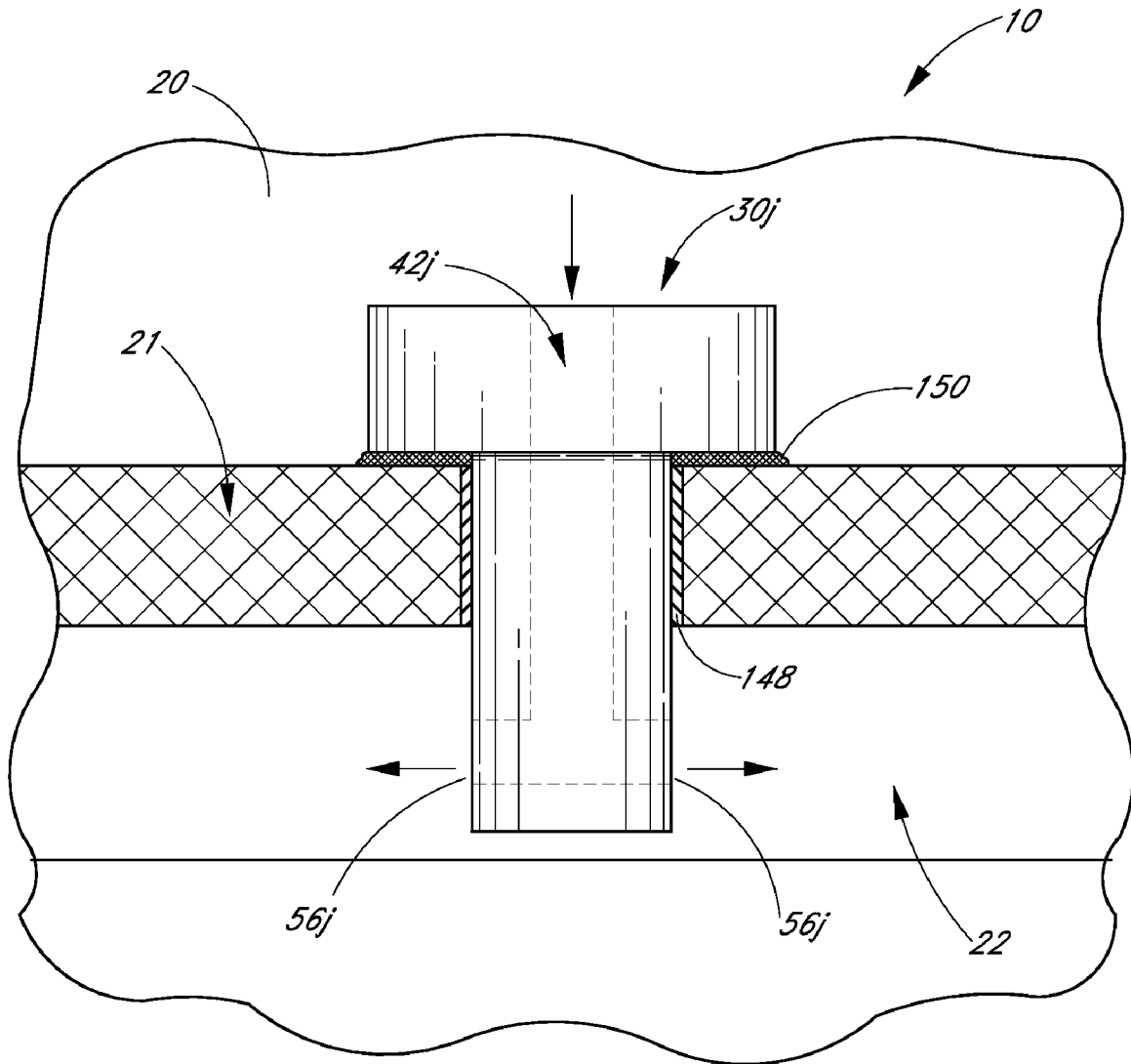


FIG. 37

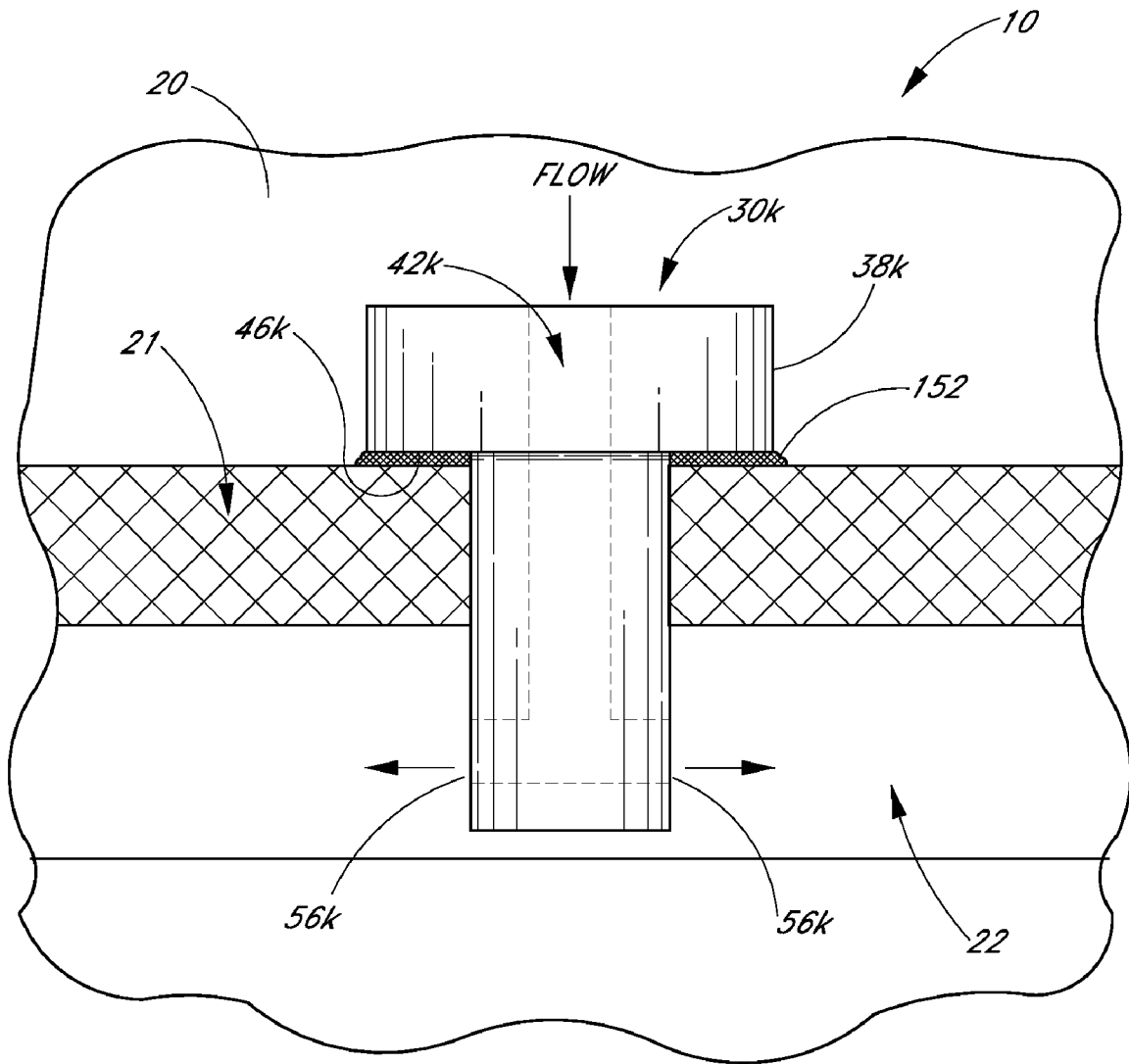


FIG. 38

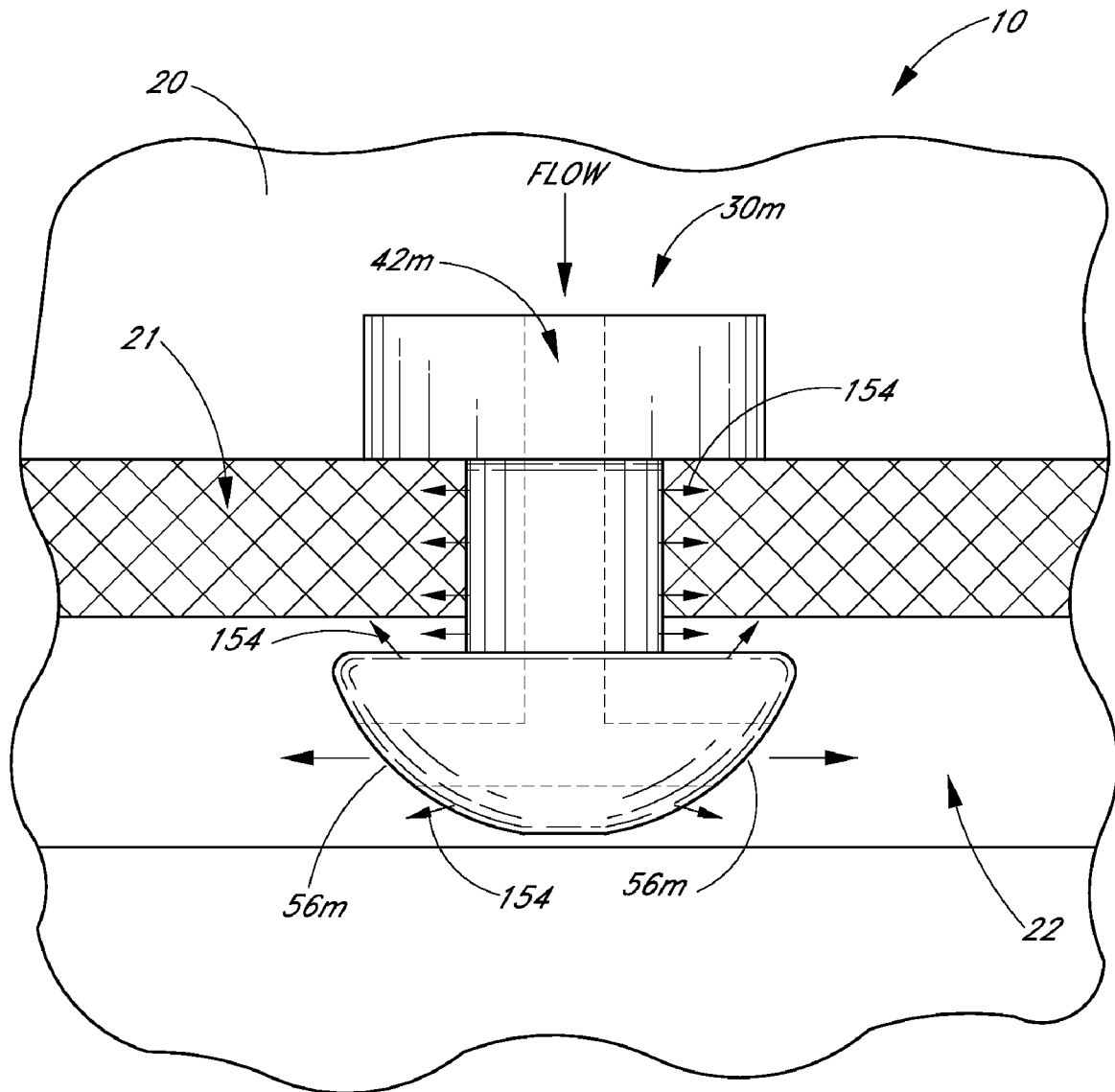


FIG. 39

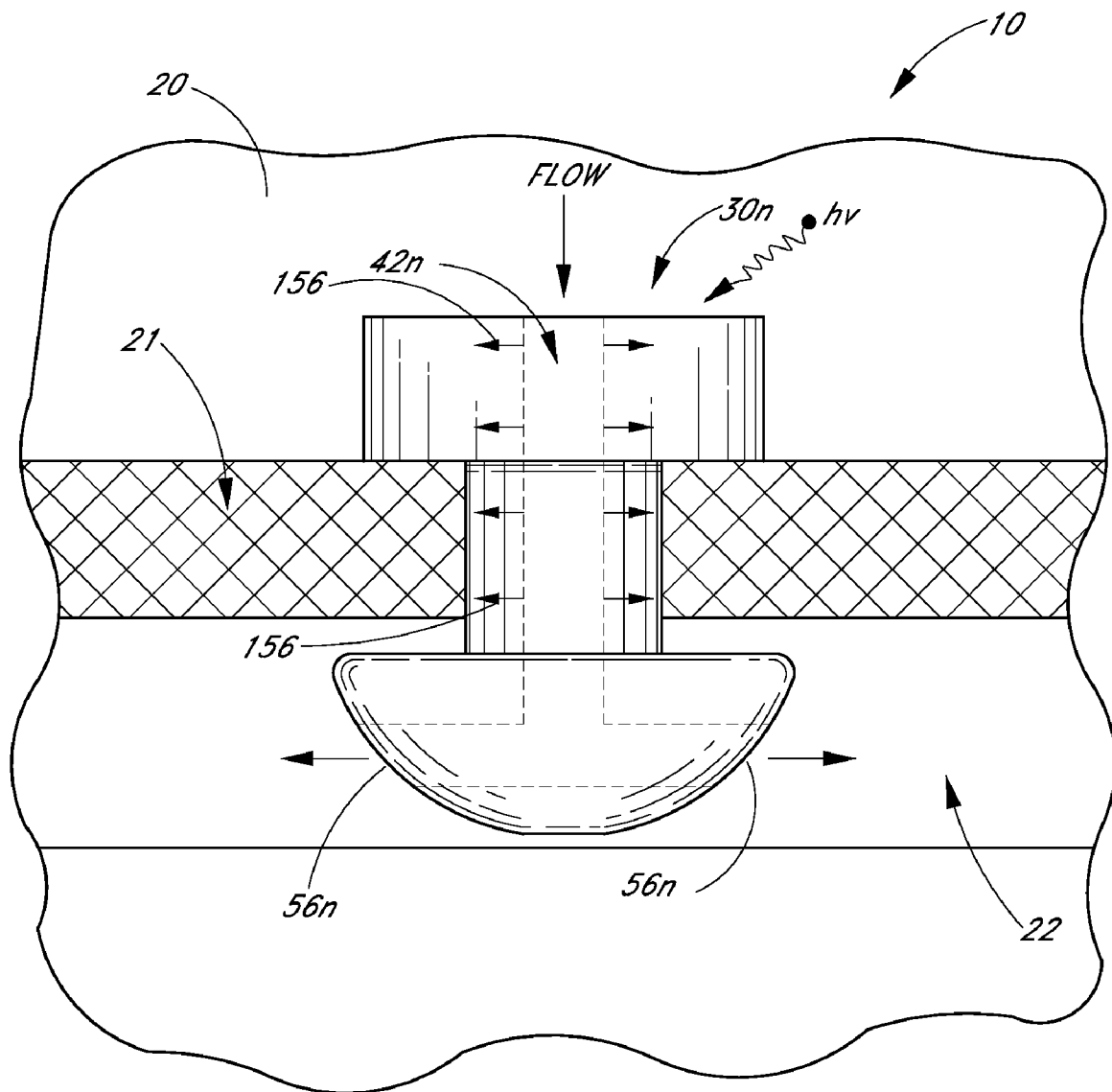


FIG. 40

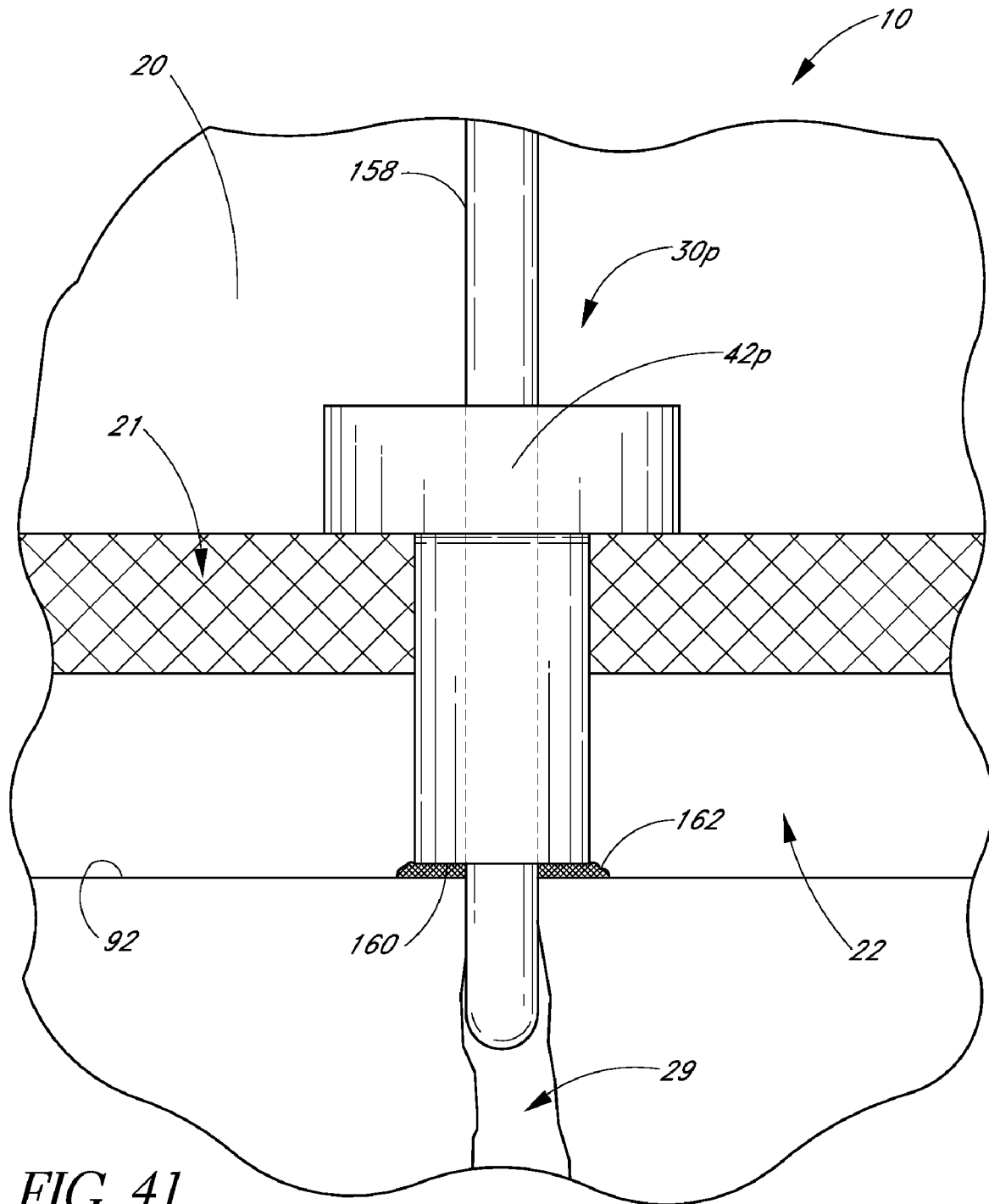


FIG. 41

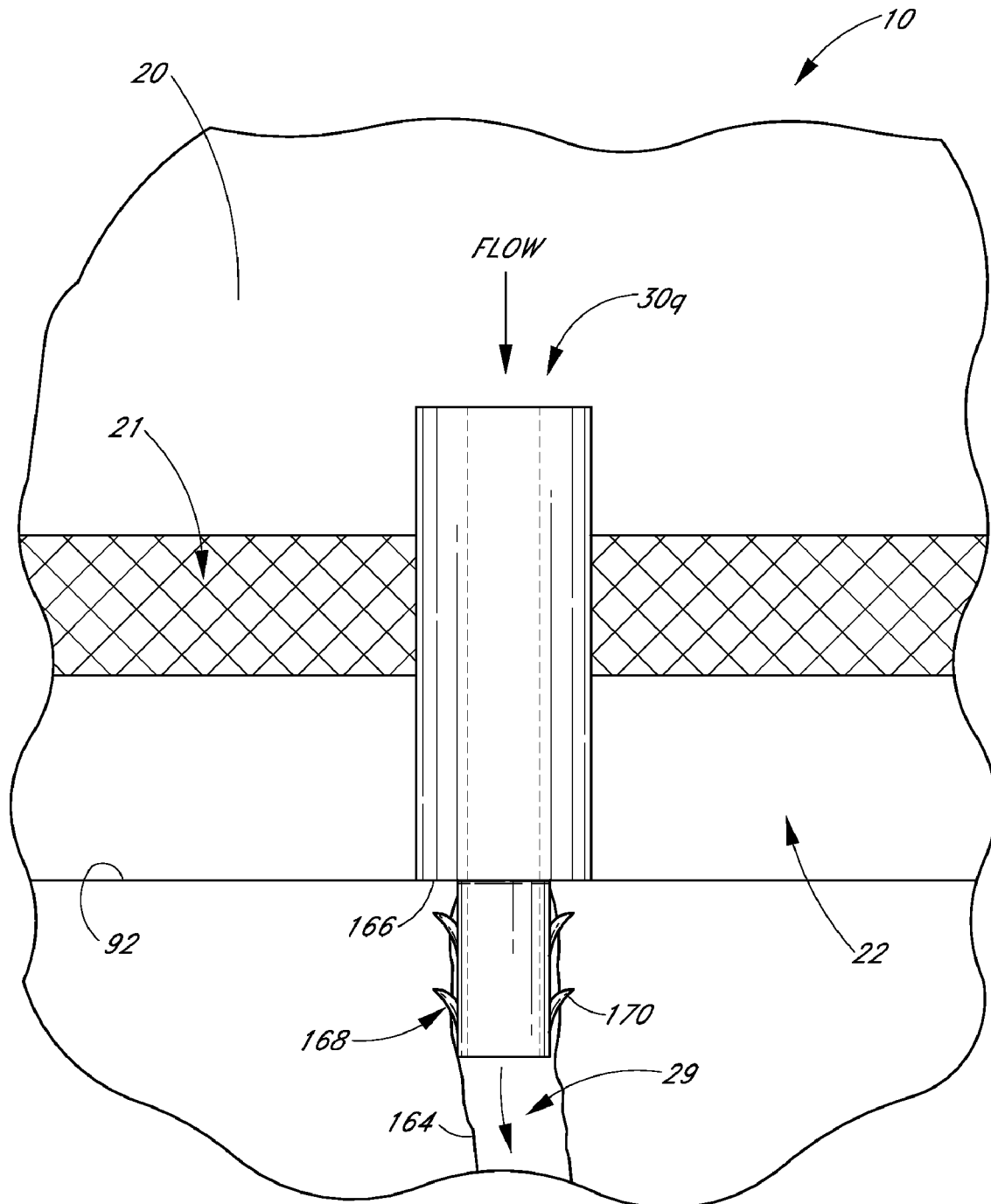


FIG. 42

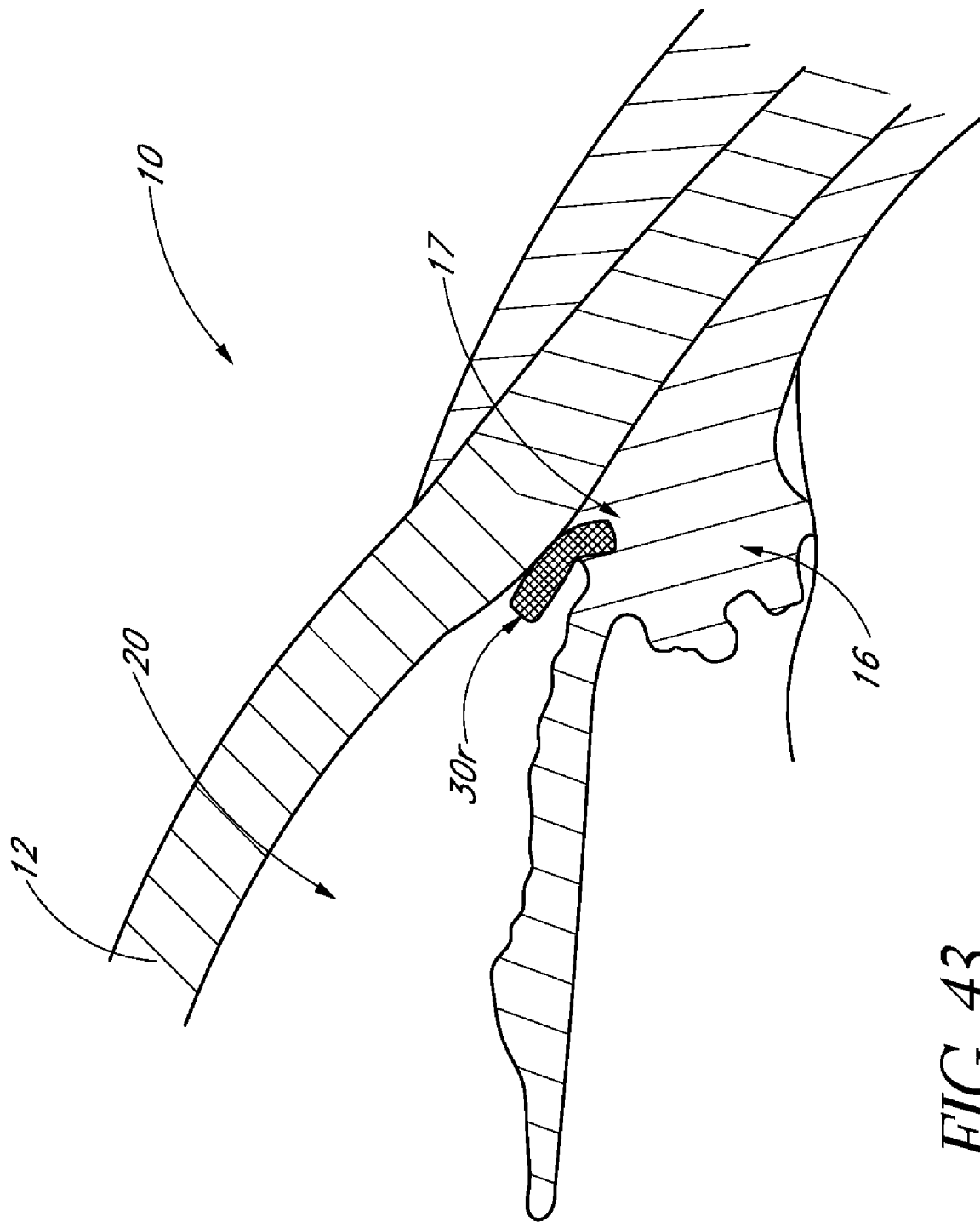


FIG. 43

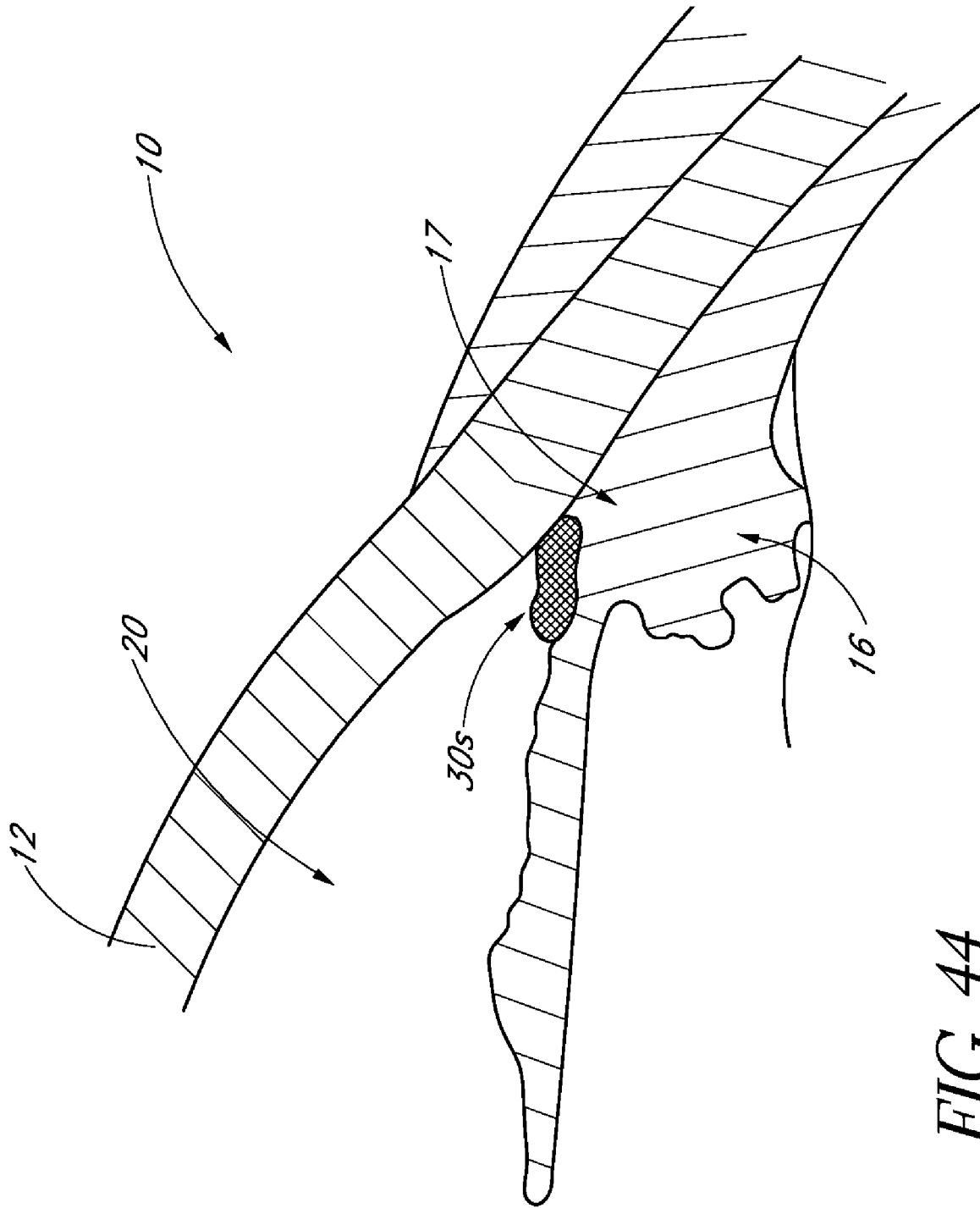


FIG. 44

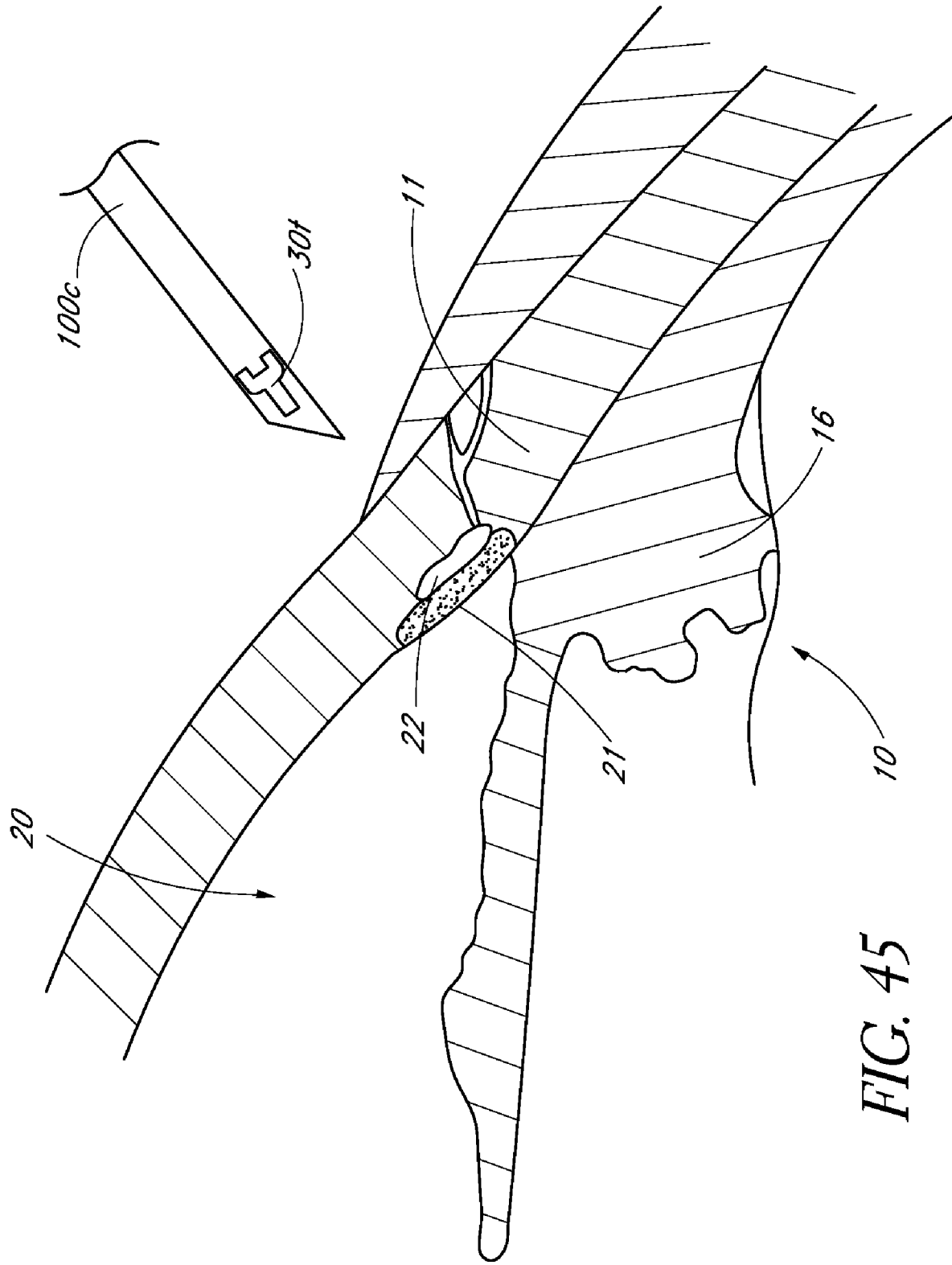


FIG. 45

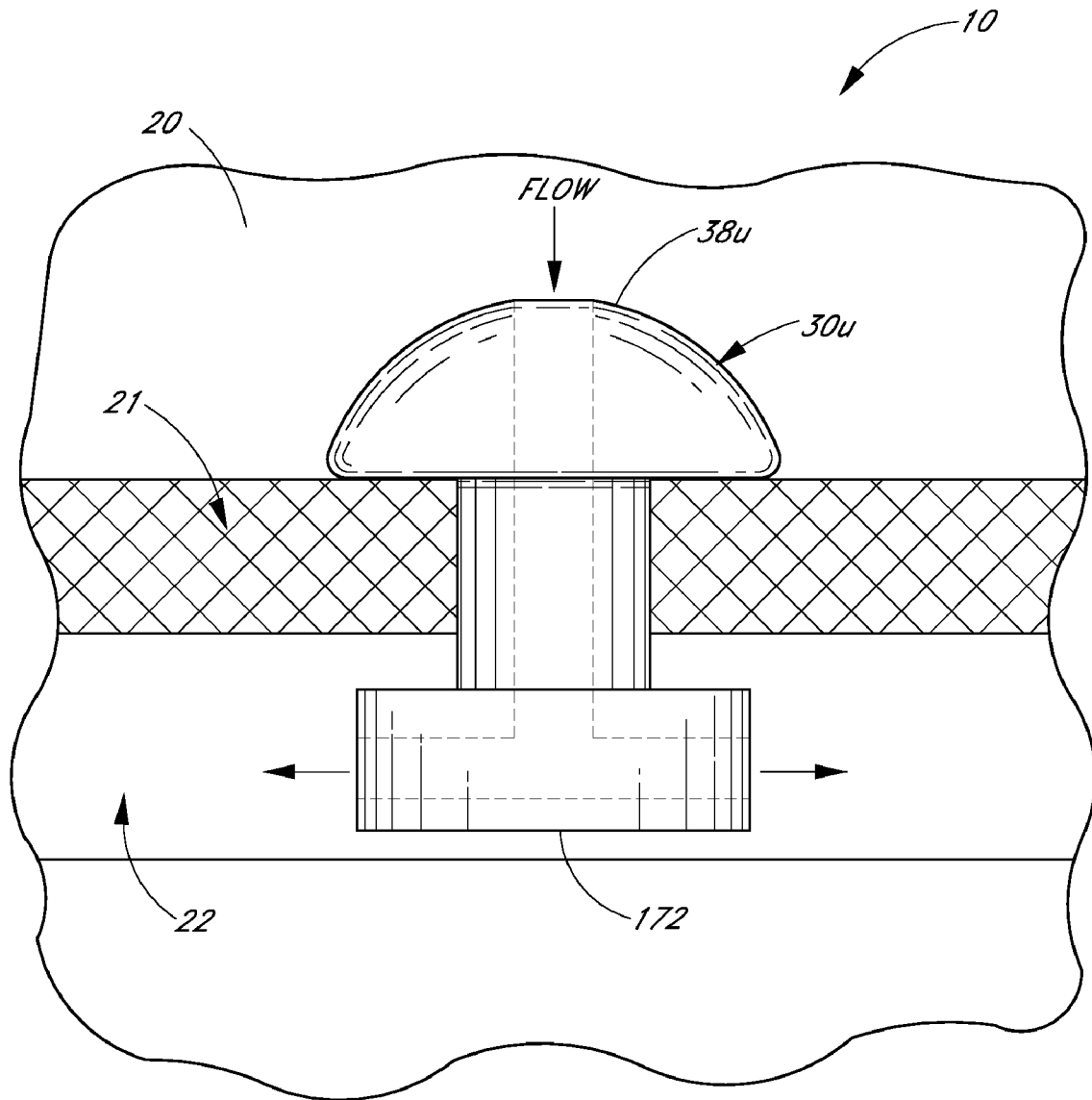


FIG. 46

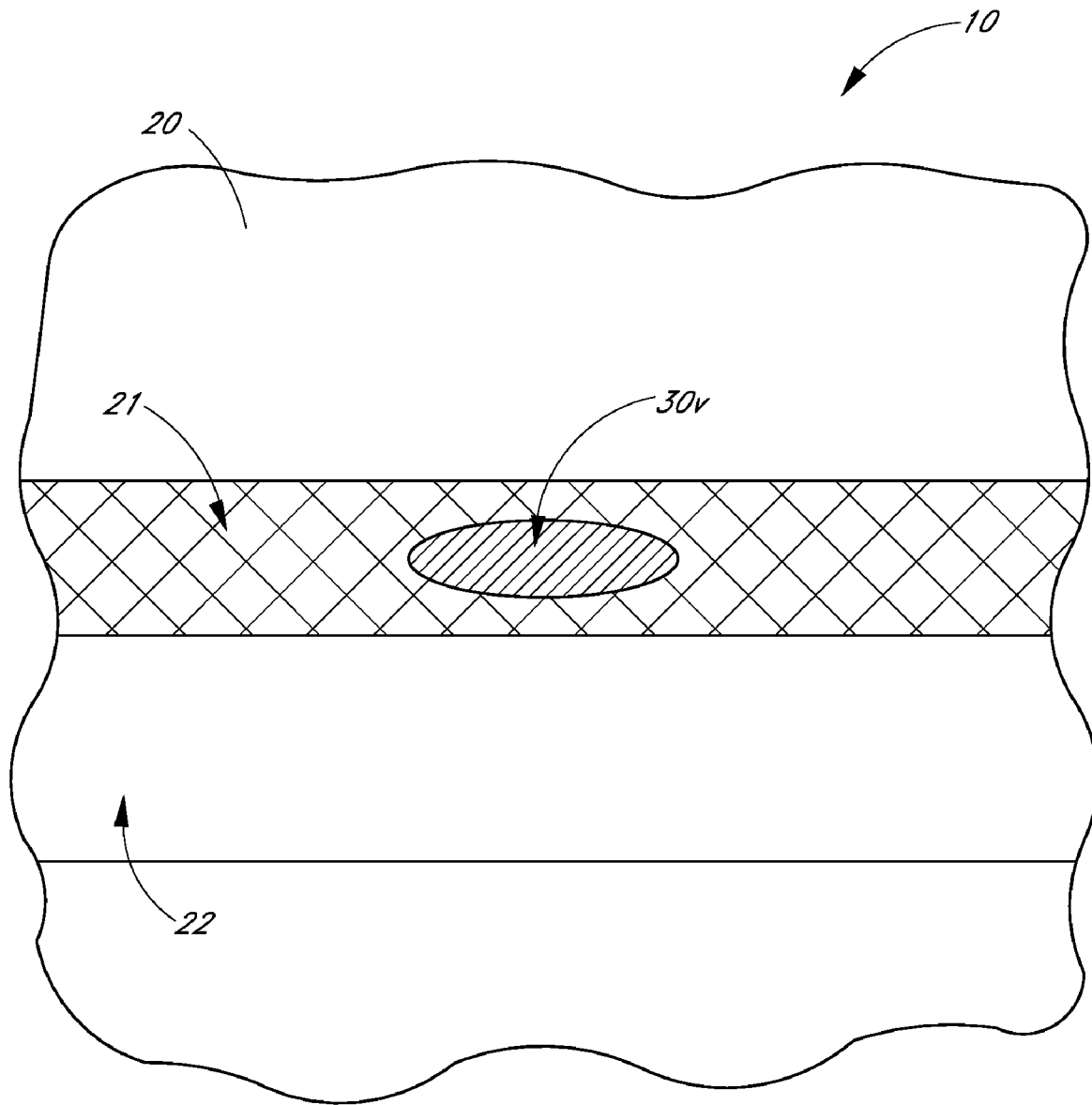


FIG. 47

OCULAR IMPLANT DELIVERY SYSTEM AND METHOD THEREOF

RELATED APPLICATIONS

This application is a divisional of U.S. patent application Ser. No. 11/598,542, filed Nov. 13, 2006, entitled IMPLANT AND METHODS THEREOF FOR TREATMENT OF OCULAR DISORDERS, which is a continuation of U.S. patent application Ser. No. 10/118,578, filed Apr. 8, 2002, entitled GLAUCOMA STENT AND METHODS THEREOF FOR GLAUCOMA TREATMENT, now U.S. Pat. No. 7,135,009 B2, issued Nov. 14, 2006, which claims the benefit of U.S. Provisional Application No. 60/281,973, filed Apr. 7, 2001, entitled GLAUCOMA SHUNT AND METHODS THEREOF FOR GLAUCOMA TREATMENT, the entire contents of which are hereby incorporated by reference herein.

BACKGROUND OF THE INVENTION

1. Field of the Invention

The invention relates generally to medical devices and methods for reducing the intraocular pressure in an animal eye and, more particularly, to shunt type devices for permitting aqueous outflow from the eye's anterior chamber and associated methods thereof for the treatment of glaucoma.

2. Description of the Related Art

The human eye is a specialized sensory organ capable of light reception and able to receive visual images. The trabecular meshwork serves as a drainage channel and is located in anterior chamber angle formed between the iris and the cornea. The trabecular meshwork maintains a balanced pressure in the anterior chamber of the eye by draining aqueous humor from the anterior chamber.

About two percent of people in the United States have glaucoma. Glaucoma is a group of eye diseases encompassing a broad spectrum of clinical presentations, etiologies, and treatment modalities. Glaucoma causes pathological changes in the optic nerve, visible on the optic disk, and it causes corresponding visual field loss, resulting in blindness if untreated. Lowering intraocular pressure is the major treatment goal in all glaucomas.

In glaucomas associated with an elevation in eye pressure (intraocular hypertension), the source of resistance to outflow is mainly in the trabecular meshwork. The tissue of the trabecular meshwork allows the aqueous humor ("aqueous") to enter Schlemm's canal, which then empties into aqueous collector channels in the posterior wall of Schlemm's canal and then into aqueous veins, which form the episcleral venous system. Aqueous humor is a transparent liquid that fills the region between the cornea, at the front of the eye, and the lens. The aqueous humor is continuously secreted by the ciliary body around the lens, so there is a constant flow of aqueous humor from the ciliary body to the eye's front chamber. The eye's pressure is determined by a balance between the production of aqueous and its exit through the trabecular meshwork (major route) or uveal scleral outflow (minor route). The trabecular meshwork is located between the outer rim of the iris and the back of the cornea, in the anterior chamber angle. The portion of the trabecular meshwork adjacent to Schlemm's canal (the juxtacanalicular meshwork) causes most of the resistance to aqueous outflow.

Glaucoma is grossly classified into two categories: closed-angle glaucoma, also known as angle closure glaucoma, and open-angle glaucoma. Closed-angle glaucoma is caused by closure of the anterior chamber angle by contact between the

iris and the inner surface of the trabecular meshwork. Closure of this anatomical angle prevents normal drainage of aqueous humor from the anterior chamber of the eye.

Open-angle glaucoma is any glaucoma in which the angle of the anterior chamber remains open, but the exit of aqueous through the trabecular meshwork is diminished. The exact cause for diminished filtration is unknown for most cases of open-angle glaucoma. Primary open-angle glaucoma is the most common of the glaucomas, and it is often asymptomatic in the early to moderately advanced stage. Patients may suffer substantial, irreversible vision loss prior to diagnosis and treatment. However, there are secondary open-angle glaucomas which may include edema or swelling of the trabecular spaces (e.g., from corticosteroid use), abnormal pigment dispersion, or diseases such as hyperthyroidism that produce vascular congestion.

Current therapies for glaucoma are directed at decreasing intraocular pressure. Medical therapy includes topical ophthalmic drops or oral medications that reduce the production or increase the outflow of aqueous. However, these drug therapies for glaucoma are sometimes associated with significant side effects, such as headache, blurred vision, allergic reactions, death from cardiopulmonary complications, and potential interactions with other drugs. When drug therapy fails, surgical therapy is used. Surgical therapy for open-angle glaucoma consists of laser trabeculoplasty, trabeculectomy, and implantation of aqueous shunts after failure of trabeculectomy or if trabeculectomy is unlikely to succeed. Trabeculectomy is a major surgery that is widely used and is augmented with topically applied anticancer drugs, such as 5-fluorouracil or mitomycin-C to decrease scarring and increase the likelihood of surgical success.

Approximately 100,000 trabeculectomies are performed on Medicare-age patients per year in the United States. This number would likely increase if the morbidity associated with trabeculectomy could be decreased. The current morbidity associated with trabeculectomy consists of failure (10-15%); infection (a life long risk of 2-5%); choroidal hemorrhage, a severe internal hemorrhage from low intraocular pressure, resulting in visual loss (1%); cataract formation; and hypotony maculopathy (potentially reversible visual loss from low intraocular pressure).

For these reasons, surgeons have tried for decades to develop a workable surgery for the trabecular meshwork.

The surgical techniques that have been tried and practiced are goniotomy/trabeculotomy and other mechanical disruptions of the trabecular meshwork, such as trabeculopuncture, goniphotocoagulation, laser trabecular ablation, and goniosynovectomy. These are all major operations and are briefly described below.

Goniotomy/Trabeculotomy: Goniotomy and trabeculotomy are simple and directed techniques of microsurgical dissection with mechanical disruption of the trabecular meshwork. These initially had early favorable responses in the treatment of open-angle glaucoma. However, long-term review of surgical results showed only limited success in adults. In retrospect, these procedures probably failed due to cellular repair and fibrosis mechanisms and a process of "filling in." Filling in is a detrimental effect of collapsing and closing in of the created opening in the trabecular meshwork. Once the created openings close, the pressure builds back up and the surgery fails.

Trabeculopuncture: Q-switched Neodymium (Nd) YAG lasers also have been investigated as an optically invasive technique for creating full-thickness holes in trabecular

meshwork. However, the relatively small hole created by this trabeculopuncture technique exhibits a filling-in effect and fails.

Goniotrabeculotomy/Laser Trabecular Ablation: Goniotrabeculotomy is disclosed by Berlin in U.S. Pat. No. 4,846,172 and involves the use of an excimer laser to treat glaucoma by ablating the trabecular meshwork. This was demonstrated not to succeed by clinical trial. Hill et al. used an Erbium:YAG laser to create full-thickness holes through trabecular meshwork (Hill et al., *Lasers in Surgery and Medicine* 11:341-346, 1991). This technique was investigated in a primate model and a limited human clinical trial at the University of California, Irvine. Although morbidity was zero in both trials, success rates did not warrant further human trials. Failure was again from filling in of surgically created defects in the trabecular meshwork by repair mechanisms. Neither of these is a viable surgical technique for the treatment of glaucoma.

Goniotrabeculotomy: This is an ab interno (from the inside), mechanically disruptive technique that uses an instrument similar to a cyclodialysis spatula with a microcurette at the tip. Initial results were similar to trabeculotomy: it failed due to repair mechanisms and a process of filling in.

Although trabeculotomy is the most commonly performed filtering surgery, viscocanulostomy (VC) and non-penetrating trabeculotomy (NPT) are two new variations of filtering surgery. These are ab externo (from the outside), major ocular procedures in which Schlemm's canal is surgically exposed by making a large and very deep scleral flap. In the VC procedure, Schlemm's canal is cannulated and viscoelastic substance injected (which dilates Schlemm's canal and the aqueous collector channels). In the NPT procedure, the inner wall of Schlemm's canal is stripped off after surgically exposing the canal.

Trabeculotomy, VC, and NPT involve the formation of an opening or hole under the conjunctiva and scleral flap into the anterior chamber, such that aqueous humor is drained onto the surface of the eye or into the tissues located within the lateral wall of the eye. These surgical operations are major procedures with significant ocular morbidity. When trabeculotomy, VC, and NPT are thought to have a low chance for success, a number of implantable drainage devices have been used to ensure that the desired filtration and outflow of aqueous humor through the surgical opening will continue. The risk of placing a glaucoma drainage device also includes hemorrhage, infection, and diplopia (double vision).

Examples of implantable shunts and surgical methods for maintaining an opening for the release of aqueous humor from the anterior chamber of the eye to the sclera or space beneath the conjunctiva have been disclosed in, for example, U.S. Pat. No. 6,059,772 to Hsia et al., and U.S. Pat. No. 6,050,970 to Baerveldt.

All of the above surgeries and variations thereof have numerous disadvantages and moderate success rates. They involve substantial trauma to the eye and require great surgical skill in creating a hole through the full thickness of the sclera into the subconjunctival space. The procedures are generally performed in an operating room and have a prolonged recovery time for vision.

The complications of existing filtration surgery have prompted ophthalmic surgeons to find other approaches to lowering intraocular pressure.

The trabecular meshwork and juxtacanalicular tissue together provide the majority of resistance to the outflow of aqueous and, as such, are logical targets for surgical removal in the treatment of open-angle glaucoma. In addition, minimal amounts of tissue are altered and existing physiologic outflow pathways are utilized.

As reported in *Arch. Ophthalmol.* (2000) 118:412, glaucoma remains a leading cause of blindness, and filtration surgery remains an effective, important option in controlling the disease. However, modifying existing filtering surgery techniques in any profound way to increase their effectiveness appears to have reached a dead end. The article further states that the time has come to search for new surgical approaches that may provide better and safer care for patients with glaucoma.

Therefore, there is a great clinical need for a method of treating glaucoma that is faster, safer, and less expensive than currently available modalities.

SUMMARY OF THE INVENTION

The trabecular meshwork and juxtacanalicular tissue together provide the majority of resistance to the outflow of aqueous and, as such, are logical targets for surgical approach in the treatment of glaucoma. Various embodiments of glaucoma shunts are disclosed herein for aqueous to exit through the trabecular meshwork (major route) or uveal scleral outflow (minor route) or other route effective to reduce intraocular pressure (IOP).

Glaucoma surgical morbidity would greatly decrease if one were to bypass the focal resistance to outflow of aqueous only at the point of resistance, and to utilize remaining, healthy aqueous outflow mechanisms. This is in part because episcleral aqueous humor exerts a backpressure that prevents intraocular pressure from going too low, and one could thereby avoid hypotony. Thus, such a surgery would virtually eliminate the risk of hypotony-related maculopathy and choroidal hemorrhage. Furthermore, visual recovery would be very rapid, and the risk of infection would be very small, reflecting a reduction in incidence from 2-5% to about 0.05%.

Copending U.S. application Ser. No. 09/549,350, filed Apr. 14, 2000, entitled APPARATUS AND METHOD FOR TREATING GLAUCOMA, and copending U.S. application Ser. No. 09/704,276, filed Nov. 1, 2000, entitled GLAUCOMA TREATMENT DEVICE, disclose devices and methods of placing a trabecular shunt ab interno, i.e., from inside the anterior chamber through the trabecular meshwork, into Schlemm's canal. The entire contents of each one of these copending patent applications are hereby incorporated by reference herein. The invention encompasses both ab interno and ab externo glaucoma shunts or stents and methods thereof.

Techniques performed in accordance with aspects herein may be referred to generally as "trabecular bypass surgery." Advantages of this type of surgery include lowering intraocular pressure in a manner which is simple, effective, disease site-specific, and can potentially be performed on an outpatient basis.

Generally, trabecular bypass surgery (TBS) creates an opening, a slit, or a hole through trabecular meshwork with minor microsurgery. TBS has the advantage of a much lower risk of choroidal hemorrhage and infection than prior techniques, and it uses existing physiologic outflow mechanisms. In some aspects, this surgery can potentially be performed under topical or local anesthesia on an outpatient basis with rapid visual recovery. To prevent "filling in" of the hole, a biocompatible elongated device is placed within the hole and serves as a stent. U.S. patent application Ser. No. 09/549,350, filed Apr. 14, 2000, the entire contents of which are hereby incorporated by reference herein, discloses trabecular bypass surgery.

As described in U.S. patent application Ser. No. 09/549,350, filed Apr. 14, 2000, and U.S. application Ser. No. 09/704,

276, filed Nov. 1, 2000, the entire contents each one of which are hereby incorporated by reference herein, a trabecular shunt or stent for transporting aqueous humor is provided. The trabecular stent includes a hollow, elongate tubular element, having an inlet section and an outlet section. The outlet section may optionally include two segments or elements, adapted to be positioned and stabilized inside Schlemm's canal. In one embodiment, the device appears as a "T" shaped device.

In one aspect of the invention, a delivery apparatus (or "applicator") is used for placing a trabecular stent through a trabecular meshwork of an eye. Certain embodiments of such a delivery apparatus are disclosed in copending U.S. application Ser. No. 10/101,548 (Inventors: Gregory T. Smedley, Irvine, Calif., Morteza Gharib, Pasadena, Calif., Hosheng Tu, Newport Beach, Calif.; Ser. No. 10,101,548, filed Mar. 18, 2002, entitled APPLICATOR AND METHODS FOR PLACING A TRABECULAR SHUNT FOR GLAUCOMA TREATMENT, and U.S. Provisional Application No. 60/276,609, filed Mar. 16, 2001, entitled APPLICATOR AND METHODS FOR PLACING A TRABECULAR SHUNT FOR GLAUCOMA TREATMENT, the entire contents of each one of which are hereby incorporated by reference herein.

The stent has an inlet section and an outlet section. The delivery apparatus includes a handpiece, an elongate tip, a holder and an actuator. The handpiece has a distal end and a proximal end. The elongate tip is connected to the distal end of the handpiece. The elongate tip has a distal portion and is configured to be placed through a corneal incision and into an anterior chamber of the eye. The holder is attached to the distal portion of the elongate tip. The holder is configured to hold and release the inlet section of the trabecular stent. The actuator is on the handpiece and actuates the holder to release the inlet section of the trabecular stent from the holder. When the trabecular stent is deployed from the delivery apparatus into the eye, the outlet section is positioned in substantially opposite directions inside Schlemm's canal. In one embodiment, a deployment mechanism within the delivery apparatus includes a push-pull type plunger.

Some aspects of the invention relate to devices for reducing intraocular pressure by providing outflow of aqueous from an anterior chamber of an eye. The device generally comprises an elongated tubular member and cutting means. The tubular member is adapted for extending through a trabecular meshwork of the eye. The tubular member generally comprises a lumen having an inlet port and at least one outlet port for providing a flow pathway. The cutting means is mechanically connected to or is an integral part of the tubular member for creating an incision in the trabecular meshwork for receiving at least a portion of the tubular member.

In one aspect, a self-trephining glaucoma stent is provided for reducing and/or balancing intraocular pressure in an eye. The stent generally comprises a snorkel and a curved blade. The snorkel generally comprises an upper seat for stabilizing said stent within the eye, a shank and a lumen. The shank is mechanically connected to the seat and is adapted for extending through a trabecular meshwork of the eye. The lumen extends through the snorkel and has at least one inlet flow port and at least one outlet flow port. The blade is mechanically connected to the snorkel. The blade generally comprises a cutting tip proximate a distal-most point of the blade for making an incision in the trabecular meshwork for receiving the shank.

Some aspects of the invention relate to methods of implanting a trabecular stent device in an eye. In one aspect, the device has a snorkel mechanically connected to a blade. The

blade is advanced through a trabecular meshwork of the eye to cut the trabecular meshwork and form an incision therein. At least a portion of the snorkel is inserted in the incision to implant the device in the eye.

Some aspects provide a self-trephining glaucoma stent and methods thereof which advantageously allow for a "one-step" procedure in which the incision and placement of the stent are accomplished by a single device and operation. This desirably allows for a faster, safer, and less expensive surgical procedure. In any of the embodiments, fiducial markings, indicia, or the like and/or positioning of the stent device in a preloaded applicator may be used for proper orientation and alignment of the device during implantation.

Among the advantages of trabecular bypass surgery is its simplicity. The microsurgery may potentially be performed on an outpatient basis with rapid visual recovery and greatly decreased morbidity. There is a lower risk of infection and choroidal hemorrhage, and there is a faster recovery, than with previous techniques.

For purposes of summarizing the invention, certain aspects, advantages and novel features of the invention have been described herein above. Of course, it is to be understood that not necessarily all such advantages may be achieved in accordance with any particular embodiment of the invention. Thus, the invention may be embodied or carried out in a manner that achieves or optimizes one advantage or group of advantages as taught or suggested herein without necessarily achieving other advantages as may be taught or suggested herein.

All of these embodiments are intended to be within the scope of the invention herein disclosed. These and other embodiments of the invention will become readily apparent to those skilled in the art from the following detailed description of the preferred embodiments having reference to the attached figures, the invention not being limited to any particular preferred embodiment(s) disclosed.

BRIEF DESCRIPTION OF THE DRAWINGS

Having thus summarized the general nature of the invention and some of its features and advantages, certain preferred embodiments and modifications thereof will become apparent to those skilled in the art from the detailed description herein having reference to the figures that follow, of which:

FIG. 1 is a coronal cross-sectional view of an eye;

FIG. 2 is an enlarged cross-sectional view of an anterior chamber angle of the eye of FIG. 1;

FIG. 3 is a simplified partial view of an eye illustrating the implantation of a glaucoma stent having features and advantages in accordance with one embodiment of the invention;

FIG. 4 is a side elevation view of the stent of FIG. 3;

FIG. 5 is a top plan view of the stent of FIG. 3;

FIG. 6 is a bottom plan view of the stent of FIG. 3;

FIG. 7 is a front end view of the stent of FIG. 3 (along line 7-7 of FIG. 4);

FIG. 8 is a rear end view of the stent of FIG. 3 (along line 8-8 of FIG. 4);

FIG. 9 is an enlarged top plan view of a cutting tip of the stent of FIG. 3;

FIG. 10 is a top plan view of one exemplary embodiment of a snorkel top seating surface;

FIG. 11 is a top plan view of another exemplary embodiment of a snorkel top seating surface;

FIG. 12 is a top plan view of yet another exemplary embodiment of a snorkel top seating surface;

FIG. 13 is a top plan view of still another exemplary embodiment of a snorkel top seating surface;

FIG. 14 is a simplified partial view of an eye illustrating the implantation of a glaucoma stent having features and advantages in accordance with another embodiment of the invention;

FIG. 15 is a simplified partial view of an eye illustrating the implantation of a glaucoma stent having features and advantages in accordance with a further embodiment of the invention;

FIG. 16 is a side elevation view of a glaucoma stent having features and advantages in accordance with one embodiment of the invention;

FIG. 17 is a top plan view of the stent of FIG. 16;

FIG. 18 is a bottom plan view of the stent of FIG. 16;

FIG. 19 is a front end view along line 19-19 of FIG. 16;

FIG. 20 is a rear end view along line 20-20 of FIG. 16;

FIG. 21 is a side elevation view of a glaucoma stent having features and advantages in accordance with one embodiment of the invention;

FIG. 22 is a top plan view of the stent of FIG. 21;

FIG. 23 is a bottom plan view of the stent of FIG. 21;

FIG. 24 is a front end view along line 24-24 of FIG. 21;

FIG. 25 is a rear end view along line 25-25 of FIG. 21;

FIG. 26 is a front elevation view of a glaucoma stent having features and advantages in accordance with one embodiment of the invention;

FIG. 27 is a side elevation view along line 27-27 of FIG. 26;

FIG. 28 is a rear end view along line 28-28 of FIG. 26;

FIG. 29 is a simplified partial view of an eye illustrating the temporal implantation of a glaucoma stent using a delivery apparatus having features and advantages in accordance with one embodiment of the invention;

FIG. 30 is an oblique elevational view of an articulating arm stent delivery/retrieval apparatus having features and advantages in accordance with one embodiment of the invention;

FIG. 31 is a simplified partial view of an eye illustrating the implantation of a glaucoma stent using a delivery apparatus crossing through the eye anterior chamber;

FIG. 32 is a simplified partial view of an eye illustrating the implantation of a glaucoma stent having features and advantages in accordance with one embodiment of the invention;

FIG. 33 is a detailed enlarged view of the barbed pin of FIG. 32;

FIG. 34 is a simplified partial view of an eye illustrating the implantation of a glaucoma stent having features and advantages in accordance with one embodiment of the invention;

FIG. 35 is a simplified partial view of an eye illustrating the implantation of a glaucoma stent having features and advantages in accordance with one embodiment of the invention;

FIG. 36 is a simplified partial view of an eye illustrating the implantation of a glaucoma stent having features and advantages in accordance with one embodiment of the invention;

FIG. 37 is a simplified partial view of an eye illustrating the implantation of a glaucoma stent having features and advantages in accordance with one embodiment of the invention;

FIG. 38 is a simplified partial view of an eye illustrating the implantation of a glaucoma stent having features and advantages in accordance with one embodiment of the invention;

FIG. 39 is a simplified partial view of an eye illustrating the implantation of a glaucoma stent having features and advantages in accordance with one embodiment of the invention;

FIG. 40 is a simplified partial view of an eye illustrating the implantation of a glaucoma stent having features and advantages in accordance with one embodiment of the invention;

FIG. 41 is a simplified partial view of an eye illustrating the implantation of a glaucoma stent having features and advantages in accordance with one embodiment of the invention;

FIG. 42 is a simplified partial view of an eye illustrating the implantation of a glaucoma stent having features and advantages in accordance with one embodiment of the invention;

FIG. 43 is a simplified partial view of an eye illustrating the implantation of a valved tube stent device having features and advantages in accordance with one embodiment of the invention;

FIG. 44 is a simplified partial view of an eye illustrating the implantation of an osmotic membrane device having features and advantages in accordance with one embodiment of the invention;

FIG. 45 is a simplified partial view of an eye illustrating the implantation of a glaucoma stent using an externo procedure having features and advantages in accordance with one embodiment of the invention;

FIG. 46 is a simplified partial view of an eye illustrating the implantation of a glaucoma stent having features and advantages in accordance with a modified embodiment of the invention; and

FIG. 47 is a simplified partial view of an eye illustrating the implantation of a drug release implant having features and advantages in accordance with one embodiment of the invention.

DETAILED DESCRIPTION OF THE PREFERRED EMBODIMENTS

The preferred embodiments of the invention described herein relate particularly to surgical and therapeutic treatment of glaucoma through reduction of intraocular pressure. While the description sets forth various embodiment specific details, it will be appreciated that the description is illustrative only and should not be construed in any way as limiting the invention. Furthermore, various applications of the invention, and modifications thereto, which may occur to those who are skilled in the art, are also encompassed by the general concepts described herein.

FIG. 1 is a cross-sectional view of an eye 10, while FIG. 2 is a close-up view showing the relative anatomical locations of a trabecular meshwork 21, an anterior chamber 20, and Schlemm's canal 22. A sclera 11 is a thick collagenous tissue which covers the entire eye 10 except a portion which is covered by a cornea 12.

Referring to FIGS. 1 and 2, the cornea 12 is a thin transparent tissue that focuses and transmits light into the eye and through a pupil 14, which is a circular hole in the center of an iris 13 (colored portion of the eye). The cornea 12 merges into the sclera 11 at a juncture referred to as a limbus 15. A ciliary body 16 extends along the interior of the sclera 11 and is coextensive with a choroid 17. The choroid 17 is a vascular layer of the eye 10, located between the sclera 11 and a retina 18. An optic nerve 19 transmits visual information to the brain and is the anatomic structure that is progressively destroyed by glaucoma.

Still referring to FIGS. 1 and 2, the anterior chamber 20 of the eye 10, which is bound anteriorly by the cornea 12 and posteriorly by the iris 13 and a lens 26, is filled with aqueous humor (hereinafter referred to as "aqueous"). Aqueous is produced primarily by the ciliary body 16, then moves anteriorly through the pupil 14 and reaches an anterior chamber angle 25, formed between the iris 13 and the cornea 12.

As best illustrated by the drawing of FIG. 2, in a normal eye, aqueous is removed from the anterior chamber 20 through the trabecular meshwork 21. Aqueous passes through the trabecular meshwork 21 into Schlemm's canal 22 and thereafter through a plurality of aqueous veins 23, which merge with blood-carrying veins, and into systemic venous

circulation. Intraocular pressure is maintained by an intricate balance between secretion and outflow of aqueous in the manner described above. Glaucoma is, in most cases, characterized by an excessive buildup of aqueous in the anterior chamber **20** which leads to an increase in intraocular pressure. Fluids are relatively incompressible, and thus intraocular pressure is distributed relatively uniformly throughout the eye **10**.

As shown in FIG. 2, the trabecular meshwork **21** is adjacent a small portion of the sclera **11**. Exterior to the sclera **11** is a conjunctiva **24**. Traditional procedures that create a hole or opening for implanting a device through the tissues of the conjunctiva **24** and sclera **11** involve extensive surgery by an ab externo procedure, as compared to surgery for implanting a device, as described herein, which ultimately resides entirely within the confines of the sclera **11** and cornea **12**.

Self-Trephining Glaucoma Stent

FIG. 3 generally illustrates the use of one embodiment of a trabecular stenting device **30** for establishing an outflow pathway, passing through the trabecular meshwork **21**, which is discussed in greater detail below. FIGS. 4-9 are different views of the stent **30**. Advantageously, and as discussed in further detail later herein, the self-trephining-stent allows a one-step procedure to make an incision in the trabecular mesh **21** and place the stent or implant **30** at the desired or predetermined position within the eye **10**. Desirably, this facilitates and simplifies the overall surgical procedure.

In the illustrated embodiment of FIGS. 3-9, the shunt or stent **30** generally comprises a snorkel **32** and a main body portion or blade **34**. The snorkel **32** and blade **34** are mechanically connected to or in mechanical communication with one another. The stent **30** and/or the body portion **34** have a generally longitudinal axis **36**.

In the illustrated embodiment of FIGS. 3-9, the stent **30** comprises an integral unit. In modified embodiments, the stent **30** may comprise an assembly of individual pieces or components. For example, the stent **30** may comprise an assembly of the snorkel **32** and blade **34**.

In the illustrated embodiment of FIGS. 3-9, the snorkel **32** is in the form of a generally elongate tubular member and generally comprises an upper seat, head or cap portion **38**, a shank portion **40** and a lumen or passage **42** extending therethrough. The seat **38** is mechanically connected to or in mechanical communication with the shank **40** which is also mechanically connected to or in mechanical communication with the blade **34**. The snorkel **32** and/or the lumen **42** have a generally longitudinal axis **43**.

In the illustrated embodiment of FIGS. 3-9, the seat **38** is generally circular in shape and has an upper surface **44** and a lower surface **46** which, as shown in FIG. 3, abuts or rests against the trabecular meshwork **21** to stabilize the glaucoma stent **30** within the eye **10**. In modified embodiments, the seat **38** may efficaciously be shaped in other suitable manners, as required or desired, giving due consideration to the goals of stabilizing the glaucoma stent **30** within the eye **10** and/or of achieving one or more of the benefits and advantages as taught or suggested herein. For example, the seat **38** may be shaped in other polygonal or non-polygonal shapes and/or comprise one or more ridges which extend radially outwards, among other suitable retention devices.

In the illustrated embodiment of FIGS. 3-9, and as best seen in the top view of FIG. 5, the seat top surface **44** comprises fiducial marks or indicia **48**. These marks or indicia **48** facilitate and ensure proper orientation and alignment of the stent **30** when implanted in the eye **10**. The marks or indicia **48** may comprise visual differentiation means such as color

contrast or be in the form of ribs, grooves, or the like. Alternatively, or in addition, the marks **48** may provide tactile sensory feedback to the surgeon by incorporating a radio-paque detectable or ultrasound imaginable substrate at about the mark **48**. Also, the seat **38** and/or the seat top surface **44** may be configured in predetermined shapes aligned with the blade **34** and/or longitudinal axis **36** to provide for proper orientation of the stent device **30** within the eye **10**. For example, the seat top surface **44** may be oval or ellipsoidal (FIG. 10), rectangular (FIG. 11), hexagonal (FIG. 12), among other suitable shapes (e.g. FIG. 13).

In the illustrated embodiment of FIGS. 3-9, and as indicated above, the seat bottom surface **46** abuts or rests against the trabecular meshwork **21** to stabilize and retain the glaucoma stent **30** within the eye **10**. For stabilization purposes, the seat bottom surface **46** may comprise a stubbed surface, a ribbed surface, a surface with pillars, a textured surface, or the like.

In the illustrated embodiment of FIGS. 3-9, the snorkel shank **40** is generally cylindrical in shape. With the stent **30** implanted, as shown in FIG. 3, the shank **40** is generally positioned in an incision or cavity **50** formed in the trabecular meshwork **21** by the self-trephining stent **30**. Advantageously, and as discussed further below, this single step of forming the cavity **50** by the stent **30** itself and placing the stent **30** in the desired position facilitates and expedites the overall surgical procedure. In modified embodiments, the snorkel shank **40** may efficaciously be shaped in other suitable manners, as required or desired. For example, the shank **40** may be in the shape of other polygonal or non-polygonal shapes, such as, oval, ellipsoidal, and the like.

In the illustrated embodiment of FIGS. 3-9, and as best seen in FIG. 3, the shank **40** has an outer surface **52** in contact with the trabecular meshwork **21** surrounding the cavity **50**. For stabilization purposes, the shank outer surface **52** may comprise a stubbed surface, a ribbed surface, a surface with pillars, a textured surface, or the like.

In the illustrated embodiment of FIGS. 3-9, the snorkel lumen **42** has an inlet port, opening or orifice **54** at the seat top surface **44** and an outlet port, opening or orifice **56** at the junction of the shank **40** and blade **34**. The lumen **42** is generally cylindrical in shape, that is, it has a generally circular cross-section, and its ports **54**, **56** are generally circular in shape. In modified embodiments, the lumen **42** and ports **54**, **56** may be efficaciously shaped in other manners, as required or desired, giving due consideration to the goals of providing sufficient aqueous outflow and/or of achieving one or more of the benefits and advantages as taught or suggested herein. For example, the lumen **42** and/or one or both ports **54**, **56** may be shaped in the form of ovals, ellipsoids, and the like, or the lumen **42** may have a tapered or stepped configuration.

Referring in particular to FIG. 3, aqueous from the anterior chamber **20** flows into the lumen **42** through the inlet port **54** (as generally indicated by arrow **58**) and out of the outlet port **56** and into Schlemm's canal **22** (as generally indicated by arrows **60**) to lower and/or balance the intraocular pressure (IOP). In another embodiment, as discussed in further detail below, one or more of the outlet ports may be configured to face in the general direction of the stent longitudinal axis **36**. In modified embodiments, the snorkel **32** may comprise more than one lumen, as needed or desired, to facilitate multiple aqueous outflow transportation into Schlemm's canal **22**.

In the illustrated embodiment of FIGS. 3-9, the blade longitudinal axis **36** and the snorkel longitudinal axis **43** are generally perpendicular to one another. Stated differently, the projections of the axes **36**, **43** on a common plane which is not perpendicular to either of the axes **36**, **43** intersect at 90°. The

blade longitudinal axis **36** and the snorkel longitudinal axis **43** may intersect one another or may be offset from one another.

In the illustrated embodiment of FIGS. 3-9, the main body portion or blade **34** is a generally curved elongated sheet- or plate-like structure with an upper curved surface **62** and a lower curved surface **64** which defines a trough or open face channel **66**. The perimeter of the blade **34** is generally defined by a curved proximal edge **68** proximate to the snorkel **32**, a curved distal edge **70** spaced from the proximal edge **68** by a pair of generally straight lateral edges **72**, **74** with the first lateral edge **72** extending beyond the second lateral edge **74** and intersecting with the distal edge **70** at a distal-most point **76** of the blade **34** proximate a blade cutting tip **78**.

In the illustrated embodiment of FIGS. 3-9, and as shown in the enlarged view of FIG. 9, the cutting tip **78** comprises a first cutting edge **80** on the distal edge **70** and a second cutting edge **82** on the lateral edge **72**. The cutting edges **80**, **82** preferably extend from the distal-most point **76** of the blade **34** and comprise at least a respective portion of the distal edge **70** and lateral edge **72**. The respective cutting edges **80**, **82** are formed at the sharp edges of respective beveled or tapered surfaces **84**, **86**. In one embodiment, the remainder of the distal edge **70** and lateral edge **72** are dull or rounded. In one embodiment, the tip **78** proximate to the distal-most end **76** is curved slightly inwards, as indicated generally by the arrow **88** in FIG. 5 and arrow **88** (pointed perpendicular and into the plane of the paper) in FIG. 9, relative to the adjacent curvature of the blade **34**.

In modified embodiments, suitable cutting edges may be provided on selected portions of one or more selected blade edges **68**, **70**, **72**, **74** with efficacy, as needed or desired, giving due consideration to the goals of providing suitable cutting means on the stent **30** for effectively cutting through the trabecular meshwork **21** (FIG. 3) and/or of achieving one or more of the benefits and advantages as taught or suggested herein.

Referring in particular to FIG. 9, in one embodiment, the ratio between the lengths of the cutting edges **80**, **82** is about 2:1. In another embodiment, the ratio between the lengths of the cutting edges **80**, **82** is about 1:1. In yet another embodiment, the ratio between the lengths of the cutting edges **80**, **82** is about 1:2. In modified embodiments, the lengths of the cutting edges **80**, **82** may be efficaciously selected in other manners, as required or desired, giving due consideration to the goals of providing suitable cutting means on the stent **30** for effectively cutting through the trabecular meshwork **21** (FIG. 3) and/or of achieving one or more of the benefits and advantages as taught or suggested herein.

Still referring in particular to FIG. 9, in one embodiment, the ratio between the lengths of the cutting edges **80**, **82** is in the range from about 2:1 to about 1:2. In another embodiment, the ratio between the lengths of the cutting edges **80**, **82** is in the range from about 5:1 to about 1:5. In yet another embodiment, the ratio between the lengths of the cutting edges **80**, **82** is in the range from about 10:1 to about 1:10. In modified embodiments, the lengths of the cutting edges **80**, **82** may be efficaciously selected in other manners, as required or desired, giving due consideration to the goals of providing suitable cutting means on the stent **30** for effectively cutting through the trabecular meshwork **21** (FIG. 3) and/or of achieving one or more of the benefits and advantages as taught or suggested herein.

As shown in the top view of FIG. 9, the cutting edge **80** (and/or the distal end **70**) and the cutting edge **82** (and/or the lateral edge **72**) intersect at an angle θ . Stated differently, θ is the angle between the projections of the cutting edge **80**

(and/or the distal end **70**) and the cutting edge **82** (and/or the lateral edge **72**) on a common plane which is not perpendicular to either of these edges.

Referring to in particular to FIG. 9, in one embodiment, the angle θ is about 50°. In another embodiment, the angle θ is in the range from about 40° to about 60°. In yet another embodiment, the angle θ is in the range from about 30° to about 70°. In modified embodiments, the angle θ may be efficaciously selected in other manners, as required or desired, giving due consideration to the goals of providing suitable cutting means on the stent **30** for effectively cutting through the trabecular meshwork **21** (FIG. 3) and/or of achieving one or more of the benefits and advantages as taught or suggested herein.

The stent **30** of the embodiments disclosed herein can be dimensioned in a wide variety of manners. Referring in particular to FIG. 3, the depth of Schlemm's canal **22** is typically about less than 400 microns (μm). Accordingly, the stent blade **34** is dimensioned so that the height of the blade **34** (referred to as H_{41} in FIG. 4) is typically less than about 400 μm . The snorkel shank **40** is dimensioned so that it has a length (referred to as L_{41} in FIG. 4) typically in the range from about 150 μm to about 400 μm which is roughly the typical range of the thickness of the trabecular meshwork **21**.

Of course, as the skilled artisan will appreciate, that with the stent **30** implanted, the blade **34** may rest at any suitable position within Schlemm's canal **22**. For example, the blade **34** may be adjacent to a front wall **90** of Schlemm's canal **22** (as shown in FIG. 3), or adjacent to a back wall **92** of Schlemm's canal **22**, or at some intermediate location therebetween, as needed or desired. Also, the snorkel shank **40** may extend into Schlemm's canal **22**. The length of the snorkel shank **40** and/or the dimensions of the blade **34** may be efficaciously adjusted to achieve the desired implant positioning.

The trabecular stenting device **30** (FIGS. 3-9) of the exemplary embodiment may be manufactured or fabricated by a wide variety of techniques. These include, without limitation, by molding, thermo-forming, or other micro-machining techniques, among other suitable techniques.

The trabecular stenting device **30** preferably comprises a biocompatible material such that inflammation arising due to irritation between the outer surface of the device **30** and the surrounding tissue is minimized. Biocompatible materials which may be used for the device **30** preferably include, but are not limited to, titanium, titanium alloys, medical grade silicone, e.g., Silastic™, available from Dow Corning Corporation of Midland, Mich.; and polyurethane, e.g., Pellethane™, also available from Dow Corning Corporation.

In other embodiments, the stent device **30** may comprise other types of biocompatible material, such as, by way of example, polyvinyl alcohol, polyvinyl pyrrolidone, collagen, heparinized collagen, polytetrafluoroethylene, expanded polytetrafluoroethylene, fluorinated polymer, fluorinated elastomer, flexible fused silica, polyolefin, polyester, polysilicon, and/or a mixture of the aforementioned biocompatible materials, and the like. In still other embodiments, composite biocompatible material may be used, wherein a surface material may be used in addition to one or more of the aforementioned materials. For example, such a surface material may include polytetrafluoroethylene (PTFE) (such as Teflon™), polyimide, hydrogel, heparin, therapeutic drugs (such as beta-adrenergic antagonists and other anti-glaucoma drugs, or antibiotics), and the like.

In an exemplary embodiment of the trabecular meshwork surgery, the patient is placed in the supine position, prepped, draped and anesthetized as necessary. In one embodiment, a small (less than about 1 mm) incision, which may be self

13

sealing is made through the cornea **12**. The corneal incision can be made in a number of ways, for example, by using a micro-knife, among other tools.

An applicator or delivery apparatus is used to advance the glaucoma stent **30** through the corneal incision and to the trabecular meshwork **21**. Some embodiments of such a delivery apparatus are disclosed in copending U.S. application Ser. No. 10/101,548 (Inventors: Gregory T. Smedley, Irvine, Calif., Morteza Gharib, Pasadena, Calif., Hosheng Tu, Newport Beach, Calif.; Ser. No. 10,101,548, filed Mar. 18, 2002, entitled APPLICATOR AND METHODS FOR PLACING A TRABECULAR SHUNT FOR GLAUCOMA TREATMENT, and U.S. Provisional Application No. 60/276,609, filed Mar. 16, 2001, entitled APPLICATOR AND METHODS FOR PLACING A TRABECULAR SHUNT FOR GLAUCOMA TREATMENT, the entire contents of each one of which are hereby incorporated by reference herein. Some embodiments of a delivery apparatus are also discussed in further detail later herein. Gonioscopic, microscopic, or endoscopic guidance may be used during the trabecular meshwork surgery.

With the device **30** held by the delivery apparatus, the blade **34** of the self-trephining glaucoma stent device **30** is used to cut and/or displace the material of the trabecular meshwork **21**. The snorkel shank **40** may also facilitate in removal of this material during implantation. The delivery apparatus is withdrawn once the device **30** has been implanted in the eye **10**. As shown in FIG. 3, once proper implantation has been accomplished the snorkel seat **38** rests on a top surface **94** of the trabecular meshwork **21**, the snorkel shank **40** extends through the cavity **50** (created by the device **30**) in the trabecular meshwork **21**, and the blade extends inside Schlemm's canal **22**.

Advantageously, the embodiments of the self-trephining stent device of the invention allow for a "one-step" procedure to make an incision in the trabecular meshwork and to subsequently implant the stent in the proper orientation and alignment within the eye to allow outflow of aqueous from the anterior chamber through the stent and into Schlemm's canal to lower and/or balance the intraocular pressure (IOP). Desirably, this provides for a faster, safer, and less expensive surgical procedure.

Many complications can arise in trabecular meshwork surgeries, wherein a knife is first used to create an incision in the trabecular meshwork, followed by removal of the knife and subsequent installation of the stent. For instance, the knife may cause some bleeding which clouds up the surgical site. This may require more effort and time to clean the surgical site prior to placement of the stent. Moreover, this may cause the intraocular pressure (IOP) to rise or to fall undesirably. Thus, undesirably, such a multiple step procedure may demand crisis management which slows down the surgery, makes it less safe, and more expensive.

FIG. 14 is a simplified partial view of an eye **10** illustrating the implantation of a self-trephining glaucoma stent device **30a** having features and advantages in accordance with one embodiment. The stent **30a** is generally similar to the stent **30** of FIGS. 3-9 except that its snorkel **32a** comprises a longer shank **40a** which extends into Schlemm's canal **22** and a lumen **42a** which bifurcates into two output channels **45a**.

In the illustrated embodiment of FIG. 14, the shank **40a** terminates at the blade **34**. Aqueous flows from the anterior chamber **20** into the lumen **42a** through an inlet port **54a** (as generally indicated by arrow **58a**). Aqueous then flows through the output channels **45a** and out of respective outlet ports **56a** and into Schlemm's canal **22** (as generally indicated by arrows **60a**). The outlet channels **45a** extend radially

14

outwards in generally opposed directions and the outlet ports **56a** are configured to face in the general direction of the stent longitudinal axis **36** so that they open into Schlemm's canal **22** and are in proper orientation to allow aqueous outflow into Schlemm's canal **22** for lowering and/or balancing the intraocular pressure (IOP). As indicated above, fiducial marks or indicia and/or predetermined shapes of the snorkel seat **38** allow for proper orientation of the blade **34** and also the output channels **45a** and respective ports **56a** within Schlemm's canal.

In the illustrated embodiment of FIG. 14, two outflow channels **45a** are provided. In another embodiment, only one outflow channel **45a** is provided. In yet another embodiment, more than two outflow channels **45a** are provided. In modified embodiments, the lumen **42a** may extend all the way through to the blade **34** and provide an outlet port as discussed above with reference to the embodiment of FIGS. 3-9.

FIG. 15 is a simplified partial view of an eye **10** illustrating the implantation of a self-trephining glaucoma stent device **30b** having features and advantages in accordance with one embodiment. The stent **30b** is generally similar to the stent **30** of FIGS. 3-9 except that its snorkel **32b** comprises a longer shank **40b** which extends into Schlemm's canal **22** and a lumen **42b** which bifurcates into two output channels **45b**.

In the illustrated embodiment of FIG. 15, the shank **40b** extends through the blade **34**. Aqueous flows from the anterior chamber **20** into the lumen **42b** through an inlet port **54b** (as generally indicated by arrow **58b**). Aqueous then flows through the output channels **45b** and out of respective outlet ports **56b** and into Schlemm's canal **22** (as generally indicated by arrows **60b**). The outlet channels **45b** extend radially outwards in generally opposed directions and the outlet ports **56b** are configured to face in the general direction of the stent longitudinal axis **36** so that they open into Schlemm's canal **22** and are in proper orientation to allow aqueous outflow into Schlemm's canal **22** for lowering and/or balancing the intraocular pressure (IOP). As indicated above, fiducial marks or indicia and/or predetermined shapes of the snorkel seat **38** allow for proper orientation of the blade **34** and also the output channels **45b** and respective ports **56b** within Schlemm's canal.

In the illustrated embodiment of FIG. 15, two outflow channels **45b** are provided. In another embodiment, only one outflow channel **45b** is provided. In yet another embodiment, more than two outflow channels **45b** are provided. In modified embodiments, the lumen **42b** may extend all the way through to the blade **34** and provide an outlet port as discussed above with reference to the embodiment of FIGS. 3-9.

FIGS. 16-20 show different views of a self-trephining glaucoma stent device **30c** having features and advantages in accordance with one embodiment. The stent **30c** is generally similar to the stent **30** of FIGS. 3-9 except that it has a modified blade configuration. The stent **30c** comprises a blade **34c** which is a generally curved elongated sheet- or plate-like structure with an upper curved surface **62c** and a lower curved surface **64c** which defines a trough or open face channel **66c**. The perimeter of the blade **34c** is generally defined by a curved proximal edge **68c** proximate to the snorkel **32**, a curved distal edge **70c** spaced from the proximal edge **68c** by a pair of generally straight lateral edges **72c**, **74c** which are generally parallel to one another and have about the same length.

In the illustrated embodiment of FIGS. 16-20, the blade **34c** comprises a cutting tip **78c**. The cutting tip **78c** preferably includes cutting edges formed on selected portions of the distal edge **70c** and adjacent portions of the lateral edges **72c**, **74c** for cutting through the trabecular meshwork for place-

15

ment of the snorkel 32. The cutting edges are sharp edges of beveled or tapered surfaces as discussed above in reference to FIG. 9. The embodiment of FIGS. 16-20 may be efficaciously modified to incorporate the snorkel configuration of the embodiments of FIGS. 14 and 15.

FIGS. 21-25 show different views of a self-trephining glaucoma stent device 30d having features and advantages in accordance with one embodiment. The stent 30d is generally similar to the stent 30 of FIGS. 3-9 except that it has a modified blade configuration. The stent 30d comprises a blade 34d which is a generally curved elongated sheet- or plate-like structure with an upper curved surface 62d and a lower curved surface 64d which defines a trough or open face channel 66d. The perimeter of the blade 34d is generally defined by a curved proximal edge 68d proximate to the snorkel 32, a pair of inwardly converging curved distal edges 70d', 70d'' spaced from the proximal edge 68d by a pair of generally straight respective lateral edges 72d, 74d which are generally parallel to one another and have about the same length. The distal edges 70d', 70d'' intersect at a distal-most point 76d of the blade 34d proximate a blade cutting tip 78d.

In the illustrated embodiment of FIGS. 21-25, the cutting tip 78d preferably includes cutting edges formed on the distal edges 70d', 70d'' and extending from the distal-most point 76d of the blade 34d. In one embodiment, the cutting edges extend along only a portion of respective distal edges 70d', 70d''. In another embodiment, the cutting edges extend along substantially the entire length of respective distal edges 70d', 70d''. In yet another embodiment, at least portions of the lateral edges 72d, 74d proximate to respective distal edges 70d', 70d'' have cutting edges. In a further embodiment, the tip 78d proximate to the distal-most end 76d is curved slightly inwards, as indicated generally by the arrow 88d in FIG. 21 and arrow 88d (pointed perpendicular and into the plane of the paper) in FIG. 22, relative to the adjacent curvature of the blade 34d.

In the embodiment of FIGS. 21-25, the cutting edges are sharp edges of beveled or tapered surfaces as discussed above in reference to FIG. 9. The embodiment of FIGS. 21-25 may be efficaciously modified to incorporate the snorkel configuration of the embodiments of FIGS. 14 and 15.

FIGS. 26-28 show different views of a self-trephining glaucoma stent device 30e having features and advantages in accordance with one embodiment. The stent device 30e generally comprises a snorkel 32e mechanically connected to or in mechanical communication with a blade or cutting tip 34e. The snorkel 32e has a seat, head or cap portion 38e mechanically connected to or in mechanical communication with a shank 40e, as discussed above. The shank 40e has a distal end or base 47e. The snorkel 32e further has a lumen 42e which bifurcates into a pair of outlet channels 45e, as discussed above in connection with FIGS. 14 and 15. Other lumen and inlet and outlet port configurations as taught or suggested herein may also be efficaciously used, as needed or desired.

In the illustrated embodiment of FIGS. 26-28, the blade 34e extends downwardly and outwardly from the shank distal end 47e. The blade 34e is angled relative to a generally longitudinal axis 43e of the snorkel 32e, as best seen in FIGS. 27 and 28. The blade 34e has a distal-most point 76e. The blade or cutting tip 34e has a pair of side edges 70e', 70e'', including cutting edges, terminating at the distal-most point 76e, as best seen in FIG. 26. In one embodiment, the cutting edges are sharp edges of beveled or tapered surfaces as discussed above in reference to FIG. 9.

Referring to FIGS. 26-28, in one embodiment, the blade 34e includes cutting edges formed on the edges 70e', 70e'' and extending from the distal-most point 76e of the blade 34d. In one embodiment, the cutting edges extend along only a por-

16

tion of respective distal edges 70e', 70e''. In another embodiment, the cutting edges extend along substantially the entire length of respective distal edges 70e', 70e''. In yet another embodiment, the blade or cutting tip 34e comprises a bent tip of needle, for example, a 30 gauge needle.

In general, any of the blade configurations disclosed herein may be used in conjunction with any of the snorkel configurations disclosed herein or incorporated by reference herein to provide a self-trephining glaucoma stent device for making an incision in the trabecular meshwork for receiving the corresponding snorkel to provide a pathway for aqueous outflow from the eye anterior chamber to Schlemm's canal, thereby effectively lowering and/or balancing the intraocular pressure (IOP). The self-trephining ability of the device, advantageously, allows for a "one-step" procedure in which the incision and placement of the snorkel are accomplished by a single device and operation. In any of the embodiments, fiducial markings or indicia, and/or preselected configuration of the snorkel seat, and/or positioning of the stent device in a preloaded applicator may be used for proper orientation and alignment of the device during implantation.

Delivery Apparatus

In many cases, a surgeon works from a temporal incision when performing cataract or goniometry surgery. FIG. 29 illustrates a temporal implant procedure, wherein a delivery apparatus or "applicator" 100 having a curved tip 102 is used to deliver a stent 30 to a temporal side 27 of the eye 10. An incision 28 is made in the cornea 10, as discussed above. The apparatus 100 is then used to introduce the stent 30 through the incision 28 and implant it within the eye 10.

Still referring in particular to FIG. 29, in one embodiment, a similarly curved instrument would be used to make the incision through the trabecular meshwork 21. In other embodiments, a self-trephining stent device 30 may be used to make this incision through the trabecular meshwork 21, as discussed above. The temporal implantation procedure illustrated in FIG. 29 may be employed with the any of the various stent embodiments taught or suggested herein.

FIG. 30 illustrates one embodiment of an apparatus comprising an articulating stent applicator or retrieval device 100a. In this embodiment, a proximal arm 106 is attached to a distal arm 108 at a joint 112. This joint 112 is movable such that an angle formed between the proximal arm 106 and the distal arm 108 can change. One or more claws 114 can extend from the distal arm 108, in the case of a stent retrieval device. Similarly, this articulation mechanism may be used for the trabecular stent applicator, and thus the articulating applicator or retrieval device 100a may be either an applicator for the trabecular stent, a retrieval device, or both, in various embodiments. The embodiment of FIG. 30 may be employed with the any of the various stent embodiments taught or suggested herein.

FIG. 31 shows another illustrative method for placing any of the various stent embodiments taught or suggested herein at the implant site within the eye 10. A delivery apparatus 100b generally comprises a syringe portion 116 and a cannula portion 118. The distal section of the cannula 118 has at least one irrigating hole 120 and a distal space 122 for holding the stent device 30. The proximal end 124 of the lumen of the distal space 122 is sealed from the remaining lumen of the cannula portion 118. The delivery apparatus of FIG. 30 may be employed with the any of the various stent embodiments taught or suggested herein.

In one aspect of the invention, a delivery apparatus (or "applicator") is used for placing a trabecular stent through a trabecular meshwork of an eye. Certain embodiments of such

17

a delivery apparatus are disclosed in copending U.S. application Ser. No. 10/101,548 (Inventors: Gregory T. Smedley, Irvine, Calif., Morteza Gharib, Pasadena, Calif., Hosheng Tu, Newport Beach, Calif.; Ser. No. 10/101,548, filed Mar. 18, 2002, entitled APPLICATOR AND METHODS FOR PLACING A TRABECULAR SHUNT FOR GLAUCOMA TREATMENT, and U.S. Provisional Application No. 60/276,609, filed Mar. 16, 2001, entitled APPLICATOR AND METHODS FOR PLACING A TRABECULAR SHUNT FOR GLAUCOMA TREATMENT, the entire contents of each one of which are hereby incorporated by reference herein.

The stent has an inlet section and an outlet section. The delivery apparatus includes a handpiece, an elongate tip, a holder and an actuator. The handpiece has a distal end and a proximal end. The elongate tip is connected to the distal end of the handpiece. The elongate tip has a distal portion and is configured to be placed through a corneal incision and into an anterior chamber of the eye. The holder is attached to the distal portion of the elongate tip. The holder is configured to hold and release the inlet section of the trabecular stent. The actuator is on the handpiece and actuates the holder to release the inlet section of the trabecular stent from the holder. When the trabecular stent is deployed from the delivery apparatus into the eye, the outlet section is positioned in substantially opposite directions inside Schlemm's canal. In one embodiment, a deployment mechanism within the delivery apparatus includes a push-pull type plunger.

In some embodiments, the holder comprises a clamp. In some embodiments, the apparatus further comprises a spring within the handpiece that is configured to be loaded when the stent is being held by the holder, the spring being at least partially unloaded upon actuating the actuator, allowing for release of the stent from the holder.

In various embodiments, the clamp comprises a plurality of claws configured to exert a clamping force onto the inlet section of the stent. The holder may also comprise a plurality of flanges.

In some embodiments, the distal portion of the elongate tip is made of a flexible material. This can be a flexible wire. The distal portion can have a deflection range, preferably of about 45 degrees from the long axis of the handpiece.

The delivery apparatus can further comprise an irrigation port in the elongate tip.

Some aspects include a method of placing a trabecular stent through a trabecular meshwork of an eye, the stent having an inlet section and an outlet section, including advancing a delivery apparatus holding the trabecular stent through an anterior chamber of the eye and into the trabecular meshwork, placing part of the stent through the trabecular meshwork and into a Schlemm's canal of the eye; and releasing the stent from the delivery apparatus.

In various embodiments, the method includes using a delivery apparatus that comprises a handpiece having a distal end and a proximal end; an elongate tip connected to the distal end of the handpiece, the elongate tip having a distal portion and being configured to be placed through a corneal incision and into an anterior chamber of the eye; a holder attached to the distal portion of the elongate tip, the holder configured to hold and release the inlet section of the trabecular stent; and an actuator on the handpiece that actuates the holder to release the inlet section of the trabecular stent from the holder.

In one aspect, the trabecular stent is removably attached to a delivery apparatus (also known as "applicator"). When the trabecular stent is deployed from the delivery apparatus into the eye, the outlet section is positioned in substantially opposite directions inside Schlemm's canal. In one embodiment, a

18

deployment mechanism within the delivery apparatus includes a push-pull type plunger. In some embodiments, the delivery applicator may be a guidewire, an expandable basket, an inflatable balloon, or the like.

Other Embodiments

Screw/Barb Anchored Stent:

FIGS. 32 and 33 illustrate a glaucoma stent device 30f having features and advantages in accordance with one embodiment. This embodiment of the trabecular stent 30f includes a barbed or threaded screw-like extension or pin 126 with barbs 128 for anchoring. The barbed pin 126 extends from a distal or base portion 130 of the stent 30f.

In use, the stent 30f (FIG. 32) is advanced through the trabecular meshwork 21 and across Schlemm's canal 22. The barbed (or threaded) extension 126 penetrates into the back wall 92 of Schlemm's canal 22 up to the shoulder or base 130 that then rests on the back wall 92 of the canal 22. The combination of a shoulder 130 and a barbed pin 126 of a particular length limits the penetration depth of the barbed pin 126 to a predetermined or preselected distance. In one embodiment, the length of the pin 126 is about 0.5 mm or less. Advantageously, this barbed configuration provides a secure anchoring of the stent 30f. As discussed above, correct orientation of the stent 30f is ensured by appropriate fiducial marks, indicia or the like and by positioning of the stent in a preloaded applicator.

Referring to FIG. 32, the aqueous flows from the anterior chamber 20, through the lumen 42f, then out through two side-ports 56f to be directed in both directions along Schlemm's canal 22. Alternatively, flow could be directed in only one direction through a single side-port 56f. In other embodiments, more than two outlet ports 56f, for example, six to eight ports (like a pin wheel configuration), may be efficaciously used, as needed or desired.

Still referring to FIG. 32, in one embodiment, the stent 30f is inserted through a previously made incision in the trabecular meshwork 21. In other embodiments, the stent 30f may be combined with any of the blade configurations taught or suggested herein to provide self-trephining capability. In these cases, the incision through the trabecular meshwork 21 is made by the self-trephining stent device which has a blade at its base or proximate to the base.

Deeply Threaded Stent:

FIG. 34 illustrates a glaucoma stent device 30g having features and advantages in accordance with one embodiment. The stent 30g has a head or seat 38g and a shank or main body portion 40g with a base or distal end 132. This embodiment of the trabecular stent 30g includes a deep thread 134 (with threads 136) on the main body 40g of the stent 30g below the head 38g. The threads may or may not extend all the way to the base 132.

In use, the stent 30g (FIG. 34) is advanced through the meshwork 21 through a rotating motion, as with a conventional screw. Advantageously, the deep threads 136 provide retention and stabilization of the stent 30g in the trabecular meshwork 21.

Referring to FIG. 34, the aqueous flows from the anterior chamber 20, through the lumen 42g, then out through two side-ports 56g to be directed in both directions along Schlemm's canal 22. Alternatively, flow could be directed in only one direction through a single side-port 56g. In other embodiments, more than two outlet ports 56g may be efficaciously used, as needed or desired.

19

One suitable applicator or delivery apparatus for this stent 30g (FIG. 34) includes a preset rotation, for example, via a wound torsion spring or the like. The rotation is initiated by a release trigger on the applicator. A final twist of the applicator by the surgeon and observation of suitable fiducial marks, indicia or the like ensure proper alignment of the side ports 56g with Schlemm's canal 22.

Referring to FIG. 34, in one embodiment, the stent 30g is inserted through a previously made incision in the trabecular meshwork 21. In other embodiments, the stent 30g may be combined with any of the blade configurations taught or suggested herein to provide self-trephining capability. In these cases, the incision through the trabecular meshwork 21 is made by the self-trephining stent device which has a blade at its base or proximate to the base.

Rivet Style Stent:

FIG. 35 illustrates a glaucoma stent device 30h having features and advantages in accordance with one embodiment. The stent has a base or distal end 138. This embodiment of the trabecular stent 30h has a pair of flexible ribs 140. In the unused state, the ribs are initially generally straight (that is, extend in the general direction of arrow 142).

Referring to FIG. 35, upon insertion of the stent 30h through the trabecular meshwork 21, the ends 144 of respective ribs 140 of the stent 30h come to rest on the back wall 92 of Schlemm's canal 22. Further advancement of the stent 30h causes the ribs 140 to deform to the bent shape as shown in the drawing of FIG. 35. The ribs 140 are designed to first buckle near the base 138 of the stent 30h. Then the buckling point moves up the ribs 140 as the shank part 40h of the stent 30h is further advanced through the trabecular meshwork 21.

The lumen 42h (FIG. 35) in the stent 30h is a simple straight hole. The aqueous flows from the anterior chamber 20, through the lumen 42h, then out around the ribs 140 to the collector channels further along Schlemm's canal 22 in either direction.

Referring to FIG. 35, in one embodiment, the stent 30h is inserted through a previously made incision in the trabecular meshwork 21. In other embodiments, the stent 30h may be combined with any of the blade configurations taught or suggested herein to provide self-trephining capability. In these cases, the incision through the trabecular meshwork 21 is made by the self-trephining stent device which has a blade at its base or proximate to the base.

Grommet Style Stent:

FIG. 36 illustrates a glaucoma stent device 30i having features and advantages in accordance with one embodiment. This embodiment of the trabecular stent 30i includes a head or seat 38i, a tapered base portion 146 and an intermediate narrower waist portion or shank 40i.

In use, the stent 30i (FIG. 36) is advanced through the trabecular meshwork 21 and the base 146 is pushed into Schlemm's canal 22. The stent 30i is pushed slightly further, if necessary, until the meshwork 21 stretched by the tapered base 146 relaxes back and then contracts to engage the smaller diameter portion waist 40i of the stent 30i. Advantageously, the combination of the larger diameter head or seat 38i and base 146 of the stent 30i constrains undesirable stent movement. As discussed above, correct orientation of the stent 30i is ensured by appropriate fiducial marks, indicia or the like and by positioning of the stent in a preloaded applicator.

Referring to FIG. 36, the aqueous flows from the anterior chamber 20, through the lumen 42i, then out through two side-ports 56i to be directed in both directions along Schlemm's canal 22. Alternatively, flow could be directed in

20

only one direction through a single side-port 56i. In other embodiments, more than two outlet ports 56i may be efficaciously used, as needed or desired.

Still referring to FIG. 36, in one embodiment, the stent 30i is inserted through a previously made incision in the trabecular meshwork 21. In other embodiments, the stent 30i may be combined with any of the blade configurations taught or suggested herein to provide self-trephining capability. In these cases, the incision through the trabecular meshwork 21 is made by the self-trephining stent device which has a blade at its base or proximate to the base.

Biointeractive Stent:

FIG. 37 illustrates a glaucoma stent device 30j having features and advantages in accordance with one embodiment. This embodiment of the trabecular stent 30j utilizes a region of biointeractive material 148 that provides a site for the trabecular meshwork 21 to firmly grip the stent 30j by ingrowth of the tissue into the biointeractive material 148. As shown in FIG. 37, preferably the biointeractive layer 148 is applied to those surfaces of the stent 30j which would abut against or come in contact with the trabecular meshwork 21.

In one embodiment, the biointeractive layer 148 (FIG. 37) may be a region of enhanced porosity with a growth promoting chemical. In one embodiment, a type of bio-glue 150 that dissolves over time is used to hold the stent secure during the time between insertion and sufficient ingrowth for stabilization. As discussed above, correct orientation of the stent 30j is ensured by appropriate fiducial marks, indicia or the like and by positioning of the stent in a preloaded applicator.

Referring to FIG. 37, the aqueous flows from the anterior chamber 20, through the lumen 42j, then out through two side-ports 56j to be directed in both directions along Schlemm's canal 22. Alternatively, flow could be directed in only one direction through a single side-port 56j. In other embodiments, more than two outlet ports 56j may be efficaciously used, as needed or desired.

Still referring to FIG. 37, in one embodiment, the stent 30j is inserted through a previously made incision in the trabecular meshwork 21. In other embodiments, the stent 30j may be combined with any of the blade configurations taught or suggested herein to provide self-trephining capability. In these cases, the incision through the trabecular meshwork 21 is made by the self-trephining stent device which has a blade at its base or proximate to the base.

Glued or Welded Stent:

FIG. 38 illustrates a glaucoma stent device 30k having features and advantages in accordance with one embodiment. This embodiment of the trabecular stent 30k is secured in place by using a permanent (non-dissolving) bio-glue 152 or a "welding" process (e.g. heat) to form a weld 152. The stent 30k has a head or seat 38k and a lower surface 46k.

The stent 30k is advanced through the trabecular meshwork 21 until the head or seat 38k comes to rest on the trabecular meshwork 21, that is, the head lower surface 46k abuts against the trabecular meshwork 21, and the glue or weld 152 is applied or formed therebetween, as shown in FIG. 38. As discussed above, correct orientation of the stent 30k is ensured by appropriate fiducial marks, indicia or the like and by positioning of the stent in a preloaded applicator.

Referring to FIG. 38, the aqueous flows from the anterior chamber 20, through the lumen 42k, then out through two side-ports 56k to be directed in both directions along Schlemm's canal 22. Alternatively, flow could be directed in only one direction through a single side-port 56k. In other embodiments, more than two outlet ports 56k may be efficaciously used, as needed or desired.

21

Still referring to FIG. 38, in one embodiment, the stent 30k is inserted through a previously made incision in the trabecular meshwork 21. In other embodiments, the stent 30k may be combined with any of the blade configurations taught or suggested herein to provide self-trephining capability. In these cases, the incision through the trabecular meshwork 21 is made by the self-trephining stent device which has a blade at its base or proximate to the base.

Hydrophilic Latching Stent:

FIG. 39 illustrates a glaucoma stent device 30m having features and advantages in accordance with one embodiment. This embodiment of the trabecular stent 30m is fabricated from a hydrophilic material that expands with absorption of water. Desirably, this would enable the device 30m to be inserted through a smaller incision in the trabecular meshwork 21. The subsequent expansion (illustrated by the smaller arrows 154) of the stent 30m would advantageously enable it to latch in place in the trabecular meshwork 21. As discussed above, correct orientation of the stent 30m is ensured by appropriate fiducial marks, indicia or the like and by positioning of the stent in a preloaded applicator.

Referring to FIG. 39, the aqueous flows from the anterior chamber 20, through the lumen 42m, then out through two side-ports 56m to be directed in both directions along Schlemm's canal 22. Alternatively, flow could be directed in only one direction through a single side-port 56m. In other embodiments, more than two outlet ports 56m may be efficaciously used, as needed or desired.

Still referring to FIG. 39, in one embodiment, the stent 30m is inserted through a previously made incision in the trabecular meshwork 21. In other embodiments, the stent 30m may be combined with any of the blade configurations taught or suggested herein to provide self-trephining capability. In these cases, the incision through the trabecular meshwork 21 is made by the self-trephining stent device which has a blade at its base or proximate to the base.

Photodynamic Stent:

FIG. 40 illustrates a glaucoma stent device 30n having features and advantages in accordance with one embodiment. This embodiment of the trabecular stent 30n is fabricated from a photodynamic material that expands on exposure to light.

It is commonly known that there is a diurnal variation in the aqueous humor production by the eye—it is higher during the day than it is at night. The lumen 42n of the stent 30n responds to light entering the cornea during the day by expanding and allowing higher flow of aqueous through the lumen 42n and into Schlemm's canal 22. This expansion is generally indicated by the smaller arrows 156 (FIG. 40) which show the lumen 42n (and ports) expanding or opening in response to light stimulus. (The light or radiation energy E is generally given by $E=h\nu$, where h is Planck's constant and ν is the frequency of the light provided.) At night, in darkness, the lumen diameter decreases and reduces the flow allowed through the lumen 42n. In one embodiment, an excitation wavelength that is different from that commonly encountered is provided on an as-needed basis to provide higher flow of aqueous to Schlemm's canal 22.

This photodynamic implementation is shown in FIG. 40 for the self-latching style of stent 30n, but can be efficaciously used with any of the other stent embodiments, as needed or desired. As discussed above, correct orientation of the stent 30n is ensured by appropriate fiducial marks, indicia or the like and by positioning of the stent in a preloaded applicator.

Referring to FIG. 40, the aqueous flows from the anterior chamber 20, through the lumen 42n, then out through two

22

side-ports 56n to be directed in both directions along Schlemm's canal 22. Alternatively, flow could be directed in only one direction through a single side-port 56n. In other embodiments, more than two outlet ports 56n may be efficaciously used, as needed or desired.

Still referring to FIG. 40, in one embodiment, the stent 30n is inserted through a previously made incision in the trabecular meshwork 21. In other embodiments, the stent 30n may be combined with any of the blade configurations taught or suggested herein to provide self-trephining capability. In these cases, the incision through the trabecular meshwork 21 is made by the self-trephining stent device which has a blade at its base or proximate to the base.

Collector Channel Alignment Stent:

FIG. 41 illustrates a glaucoma stent device 30p having features and advantages in accordance with one embodiment. This figure depicts an embodiment of a stent 30p that directs aqueous from the anterior chamber 20 directly into a collector channel 29 which empties into aqueous veins. The stent 30p has a base or distal end 160.

In the illustrated embodiment of FIG. 41, a removable alignment pin 158 is utilized to align the stent lumen 42p with the collector channel 29. In use, the pin 158 extends through the stent lumen 42p and protrudes through the base 160 and extends into the collector channel 29 to center and/or align the stent 30p over the collector channel 29. The stent 30p is then pressed firmly against the back wall 92 of Schlemm's canal 22. A permanent bio-glue 162 is used between the stent base and the back wall 92 of Schlemm's canal 22 to seat and securely hold the stent 30p in place. Once positioned, the pin 158 is withdrawn from the lumen 42p to allow the aqueous to flow directly from the anterior chamber 20 into the collector duct 29. The collector ducts are nominally 20 to 100 micrometers (μm) in diameter and are visualized with a suitable microscopy method (such as ultrasound biomicroscopy (UBM)) or laser imaging to provide guidance for placement of the stent 30p.

Referring to FIG. 41, in one embodiment, the stent 30p is inserted through a previously made incision in the trabecular meshwork 21. In other embodiments, the stent 30p may be combined with any of the blade configurations taught or suggested herein to provide self-trephining capability. In these cases, the incision through the trabecular meshwork 21 is made by the self-trephining stent device which has a blade at its base or proximate to the base.

Barbed Stent (Anterior Chamber to Collector Channel):

FIG. 42 illustrates a glaucoma stent device 30q having features and advantages in accordance with one embodiment. This figure depicts an embodiment of a stent 30q that directs aqueous from the anterior chamber 20 directly into a collector channel 29 which empties into aqueous veins. The stent 30q has a base or distal end 166 and the channel 29 has wall(s) 164.

In the illustrated embodiment of FIG. 42, a barbed, small-diameter extension or pin 168 on the stent base 166 is guided into the collector channel 29 and anchors on the wall(s) 164 of the channel 29. The pin 168 has barbs 170 which advantageously provide anchoring of the stent 30q. The collector ducts 29 are nominally 20 to 100 micrometers (μm) in diameter and are visualized with a suitable microscopy method (such as ultrasound biomicroscopy (UBM)) or laser imaging to provide guidance for placement of the stent.

Referring to FIG. 42, in one embodiment, the stent 30q is inserted through a previously made incision in the trabecular meshwork 21. In other embodiments, the stent 30q may be combined with any of the blade configurations taught or

23

suggested herein to provide self-trephining capability. In these cases, the incision through the trabecular meshwork **21** is made by the self-trephining stent device which has a blade at its base or proximate to the base.

Valved Tube Stent (Anterior Chamber to Choroid):

FIG. **43** illustrates a valved tube stent device **30r** having features and advantages in accordance with one embodiment. This is an embodiment of a stent **30r** that provides a channel for flow between the anterior chamber **20** and the highly vascular choroid **17**. Clinically, the choroid **17** can be at pressures lower than those desired for the eye **10**. Therefore, this stent **30r** includes a valve with an opening pressure equal to the desired pressure difference between the choroid **17** and the anterior chamber **10** or a constriction that provide the desired pressure drop.

Osmotic Membrane (Anterior Chamber to Choroid):

FIG. **44** illustrates an osmotic membrane device **30s** having features and advantages in accordance with one embodiment. This embodiment provides a channel for flow between the anterior chamber **20** and the highly vascular choroid **17**. The osmotic membrane **30s** is used to replace a portion of the endothelial layer of the choroid **17**. Since the choroid **17** is highly vascular with blood vessels, the concentration of water on the choroid side is lower than in the anterior chamber **20** of the eye **10**. Therefore, the osmotic gradient drives water from the anterior chamber **20** into the choroid **17**.

Clinically, the choroid **17** (FIG. **44**) can be at pressures lower than those desired for the eye **10**. Therefore, desirably, both osmotic pressure and the physical pressure gradient are in favor of flow into the choroid **17**. Flow control is provided by proper sizing of the area of the membrane,—the larger the membrane area is the larger the flow rate will be. This advantageously enables tailoring to tune the flow to the desired physiological rates.

Ab Externo Insertion of Stent via Small Puncture:

FIG. **45** illustrates the implantation of a stent **30t** using an ab externo procedure having features and advantages in accordance with one embodiment. In the ab externo procedure of FIG. **45**, the stent **30t** is inserted into Schlemm's canal **21** with the aid of an applicator or delivery apparatus **100c** that creates a small puncture into the eye **10** from outside.

Referring to FIG. **45**, the stent **30t** is housed in the applicator **100c**, and pushed out of the applicator **100c** once the applicator tip is in position within the trabecular meshwork **21**. Since the tissue surrounding the trabecular meshwork **21** is optically opaque, an imaging technique, such as ultrasound biomicroscopy (UBM) or a laser imaging technique, is utilized. The imaging provides guidance for the insertion of the applicator tip and the deployment of the stent **30t**. This technique can be used with a large variety of stent embodiments with slight modifications since the trabecular meshwork **21** is punctured from the scleral side rather than the anterior chamber side in the ab externo insertion.

FIG. **46** a glaucoma stent device **30u** having features and advantages in accordance with a modified embodiment. This grommet-style stent **30u** for ab externo insertion is a modification of the embodiment of FIG. **36**. In the embodiment of FIG. **46**, the upper part or head **38u** is tapered while the lower part or base **172** is flat, as opposed to the embodiment of FIG. **36**. The stent **30u** is inserted from the outside of the eye **10** through a puncture in the sclera. Many of the other embodiments of stents taught or suggested herein can be modified for similar implantation.

24

This ultra microscopic device **30u** (FIG. **46**) can be used with (1) a targeting Lasik-type laser, or with (2) contact on eyes or with (3) combined ultrasound microscope or (4) other device insertor handpiece.

5 Targeted Drug Delivery to the Trabecular Meshwork:

FIG. **47** illustrates a targeted drug delivery implant **30v** having features and advantages in accordance with one embodiment. This drawing is a depiction of a targeted drug delivery concept. The slow release implant **30v** is implanted within the trabecular meshwork **21**.

A drug that is designed to target the trabecular meshwork **21** to increase its porosity, or improve the active transport across the endothelial layer of Schlemm's canal **22** can be stored in this small implant **30v** (FIG. **47**). Advantageously, slow release of the drug promotes the desired physiology at minimal dosage levels since the drug is released into the very structure that it is designed to modify.

While the components and techniques of the invention have been described with a certain degree of particularity, it is manifest that many changes may be made in the specific designs, constructions and methodology herein above described without departing from the spirit and scope of this disclosure. It should be understood that the invention is not limited to the embodiments set forth herein for purposes of exemplification, but is to be defined only by a fair reading of the appended claims, including the full range of equivalency to which each element thereof is entitled.

What is claimed is:

1. An ocular implant system, comprising:

an ocular implant, the implant comprising an elongated body including a proximal end segment, a distal end segment and an intermediate segment:

the proximal end segment comprising an inlet port arranged on the proximal end segment to communicate with an anterior chamber of an eye;

the intermediate segment extending between the proximal and distal end segments, the intermediate segment having an inner lumen communicating with the inlet port; and

the elongated body including one or more retention features arranged to contact ocular tissue, the elongated body further having one or more outlet ports in communication with the inner lumen and configured to drain aqueous humor to a uveoscleral outflow pathway of the eye; and

a delivery device comprising:

an elongated member carrying the ocular implant and being configured for ab interno insertion of the ocular implant, the elongated member having a distal portion, the distal portion being sufficiently flexible at least when deployed in an eye so as to bend when accessing a target tissue site in an anterior chamber angle within the eye with the elongated member extending through an opening in the cornea or proximate the limbus disposed apart from the target tissue site, the distal portion further being configured to make an opening through ocular tissue at the target tissue site; and

a deployment mechanism acting upon the ocular implant, the deployment mechanism and the elongated member being movable relative to each other so as to deploy the ocular implant from the elongated member and into the ocular tissue through the opening formed by the distal portion of the elongated member.

25

2. The ocular implant system of claim 1, wherein the proximal segment further comprises a flange configured to abut against ocular tissue when implanted, the flange being sized and shaped to reside in an anterior chamber angle of an eye.

3. The ocular implant system of claim 2, wherein the inlet port is disposed on a proximal side of the flange.

4. The ocular implant system of claim 2, wherein a portion of the intermediate segment which lies next to the flange has a smaller external dimension than an external dimension of the flange.

5. The ocular implant system of claim 1, wherein the delivery device is sufficiently curved so as to extend over a portion of an iris of the eye and into an anterior chamber angle of the eye to access a target tissue site with the elongated member extending through the opening in the cornea or proximate the limbus.

6. The ocular implant system of claim 1, wherein the one or more outlet ports are disposed on the intermediate segment, on the distal end segment, or on both segments.

7. The ocular implant system of claim 1, wherein the one or more retention features are selected from the group consisting of stubs, ribs, pillars, textured surfaces, threads; flanges, and barbs.

8. The ocular implant system of claim 1, wherein the elongated member of the delivery device comprises a wire.

9. The ocular implant system of claim 1, wherein the ocular implant is formed of polyimide.

10. The ocular implant system of claim 1, wherein the proximal end, intermediate and distal end segments form a generally tubular shape.

11. The ocular implant system of claim 1, wherein the delivery device further comprises a syringe portion configured to make the opening in the cornea or proximate the limbus, the syringe portion having a sufficiently small size such that the opening in the cornea or proximate the limbus is self sealing.

12. The ocular implant system of claim 1, wherein the delivery device further comprises a handpiece connected to the elongated member.

13. The ocular implant system of claim 12, wherein the delivery device further comprises an actuator on the handpiece that is configured to actuate the deployment mechanism.

14. The ocular implant system of claim 1, wherein the distal portion of the elongated member has a deflection range.

15. The ocular implant system of claim 1, wherein at least one retention feature is disposed on the intermediate segment.

16. The ocular implant system of claim 1, wherein the ocular implant is of a sufficient length so that at least a portion of the ocular implant contacts a choroid of the eye when the ocular implant is implanted in the eye.

17. The ocular implant system of claim 16, wherein the portion of the ocular implant that contacts the choroid includes the distal end segment.

18. The ocular implant system of claim 16, wherein at least a portion of the ocular implant contacts ciliary tissue of the eye.

19. A method of treating an ocular condition, the method comprising:

providing an ocular implant comprising an elongated body including a proximal end segment, a distal end segment and an intermediate segment, the proximal end segment comprising an inlet port to communicate with an anterior chamber of the eye, the intermediate segment extending between the proximal and distal end seg-

26

ments, the intermediate segment having an inner lumen communicating with the inlet port, and the elongated body comprising one or more retention features, the elongated body further having one or more outlet ports in communication with the inner lumen and configured to drain aqueous humor to a uveoscleral outflow pathway of the eye; and

forming a first opening to access an anterior chamber of an eye, the first opening being made so as to be self-sealing; inserting a delivery device carrying the ocular implant through the first opening, wherein the ocular implant is carried by a flexible distal portion of an elongate member of a delivery device;

advancing the ocular implant into the anterior chamber and across an iris to an anterior chamber angle using the delivery device;

forming a second opening in ocular tissue at the anterior chamber angle using the distal portion of the delivery device, wherein the distal portion of the delivery device is sufficiently flexible so as to bend when accessing the ocular tissue at the anterior chamber angle;

implanting the ocular implant into eye tissue in the anterior chamber angle through the second formed opening by moving the elongated member and a deployment mechanism of the delivery device relative to each other so as to advance the ocular implant beyond a distal tip of the elongated member;

contacting ocular tissue with the one or more retention features to inhibit migration of the implant once implanted; and

draining aqueous humor through the ocular implant from the inlet of the ocular implant, which resides in the anterior chamber, through the lumen and out the outlet into a uveoscleral outflow pathway.

20. The method of claim 19 additionally comprising positioning the implant such that a flange on the proximal end segment of the implant resides in the anterior chamber and abuts against eye tissue in the anterior chamber angle to stabilize the implant in the eye.

21. The method of claim 19, wherein advancing the implant into the anterior chamber involves positioning the entire implant in the anterior chamber before inserting the implant into ocular tissue.

22. The method of claim 19, wherein advancing the implant into the anterior chamber involves positioning both the proximal and distal end segments of the implant in the anterior chamber.

23. The method of claim 22, wherein the proximal end of the implant is introduced into the anterior chamber before the distal end segment is inserted into ocular tissue.

24. The method of claim 19, wherein the first opening is made no larger than about 1 mm.

25. The method of claim 19, wherein the implanting the implant comprises positioning at least a portion of the implant so as to be in contact with a choroid of the eye.

26. The method of claim 25, wherein the distal end segment is positioned so as to be in contact with the choroid.

27. The method of claim 25, wherein positioning at least a portion of the implant in contact with the choroid further comprises placing the portion of the implant to contact ciliary tissue of the eye.

28. The method of claim 19, wherein forming the first opening involves using a syringe.

* * * * *