



US006099531A

# United States Patent [19]

[11] Patent Number: **6,099,531**

**Bonutti**

[45] Date of Patent: **Aug. 8, 2000**

[54] **CHANGING RELATIONSHIP BETWEEN BONES**

*Primary Examiner*—Michael Buiz  
*Assistant Examiner*—Lien Ngo  
*Attorney, Agent, or Firm*—Tarolli, Sundheim, Covell, Tummino & Szabo L.L.P.

[76] Inventor: **Peter M. Bonutti**, 1303 W. Evergreen Plz., Effingham, Ill. 62401

[57] **ABSTRACT**

[21] Appl. No.: **09/137,443**

To change a spatial relationship between two or more bones in a patient's body, a wedge member is moved into a joint between the bones. As the wedge member enters the joint, pivotal movement occurs between the bones to change the orientation of the bones relative to each other. The wedge member may have a circular cross sectional configuration and be moved into the joint by rotating the wedge member about an axis which extends between a thin leading edge portion and a thick trailing edge portion of the wedge member. Alternatively, the wedge member may have a cam-shaped configuration and be rotated through less than a revolution to apply force against the bones. The wedge member may have a porous construction which enables bone to grow through the wedge member and immobilize the joint. The wedge member may be coated with and/or contain bone growth promoting material. The wedge member may be connected to only one of the bones or may be connected to two adjacent bones. If the wedge member is connected to only one bone, the joint may be capable of being flexed after the wedge member is inserted into the joint.

[22] Filed: **Aug. 20, 1998**

[51] **Int. Cl.<sup>7</sup>** ..... **A61F 5/00**

[52] **U.S. Cl.** ..... **606/87**; 606/88; 623/17; 623/19

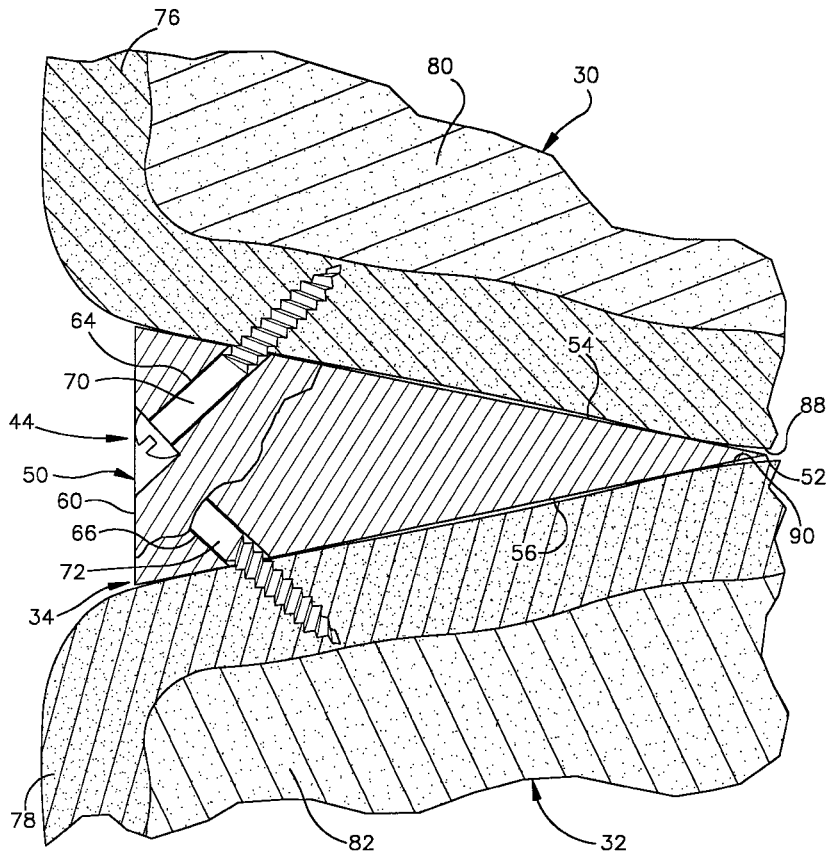
[58] **Field of Search** ..... 606/87, 86, 88, 606/89, 75, 76, 77, 60, 61, 62; 623/17, 19

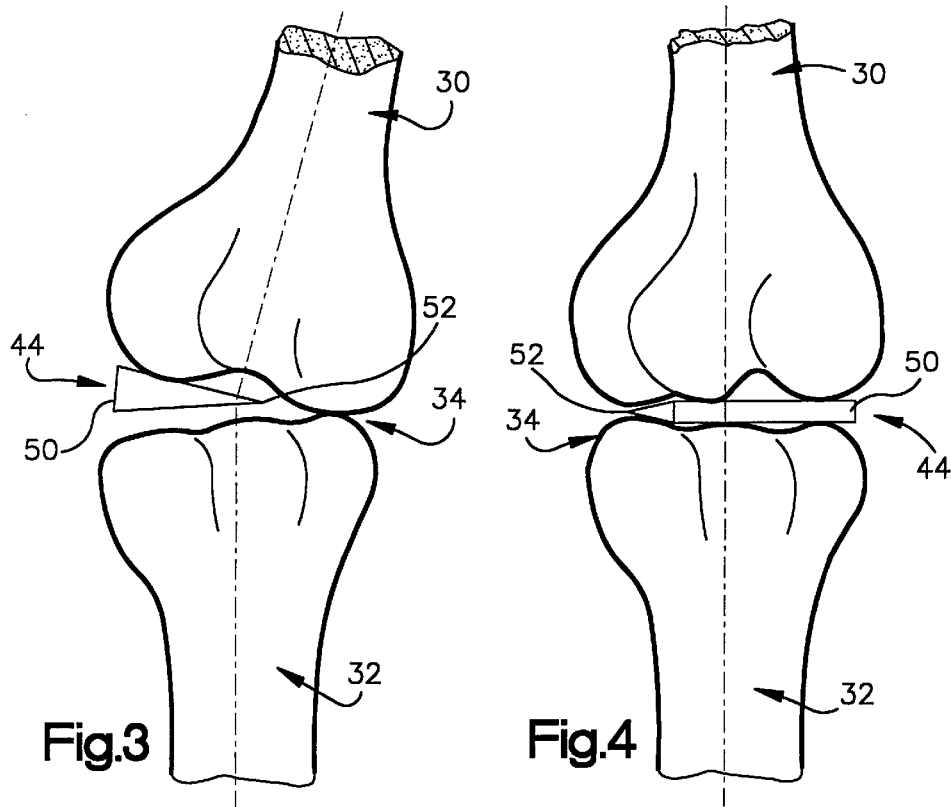
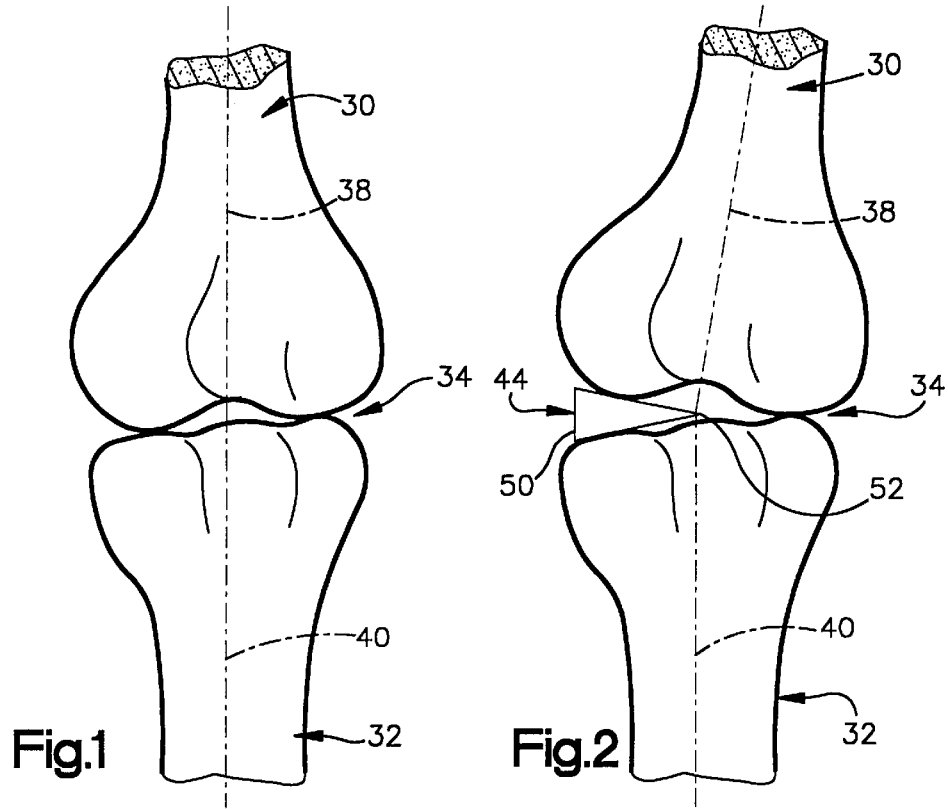
[56] **References Cited**

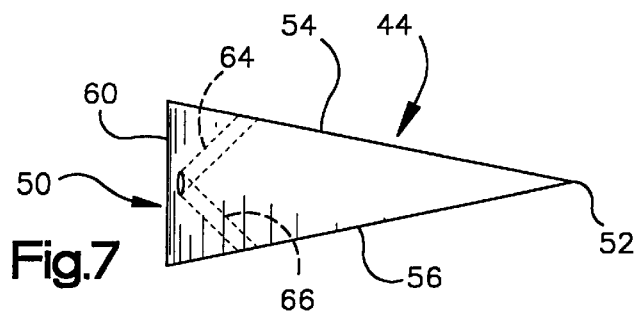
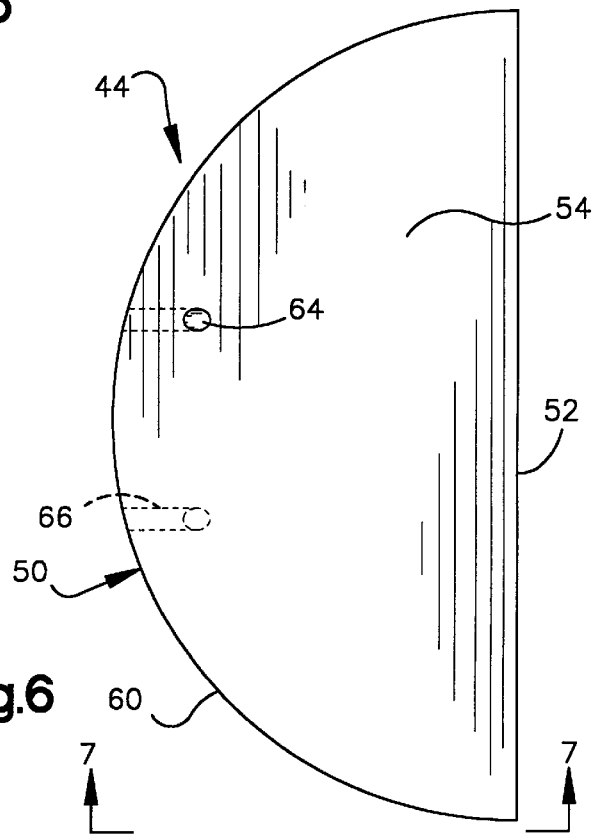
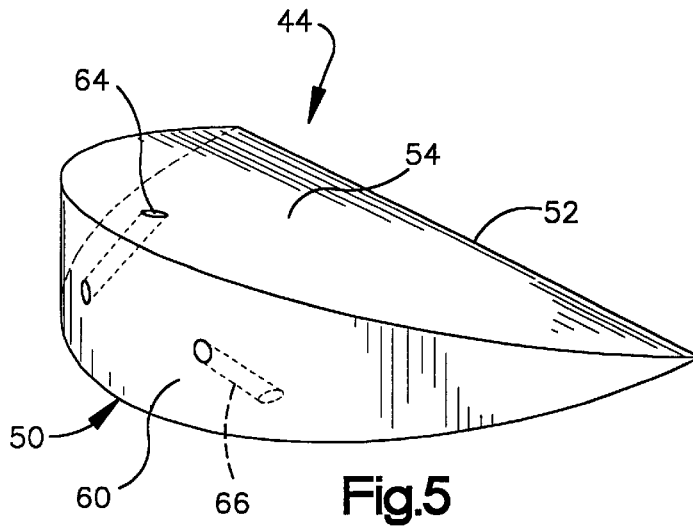
**U.S. PATENT DOCUMENTS**

4,516,276	5/1985	Mittelmeier et al. .	
5,015,255	5/1991	Kuslich .	
5,026,373	6/1991	Ray et al. .	
5,258,031	11/1993	Salib et al. ....	606/61
5,360,450	11/1994	Giannini ....	606/77
5,601,565	2/1997	Huebner .	
5,609,635	3/1997	Michelson ....	623/17
5,620,448	4/1997	Puddu .	
5,669,909	9/1997	Zdeblick et al. .	
5,766,251	6/1998	Koshino .	
5,906,616	3/1999	Pavlov et al. ....	606/61

**129 Claims, 9 Drawing Sheets**







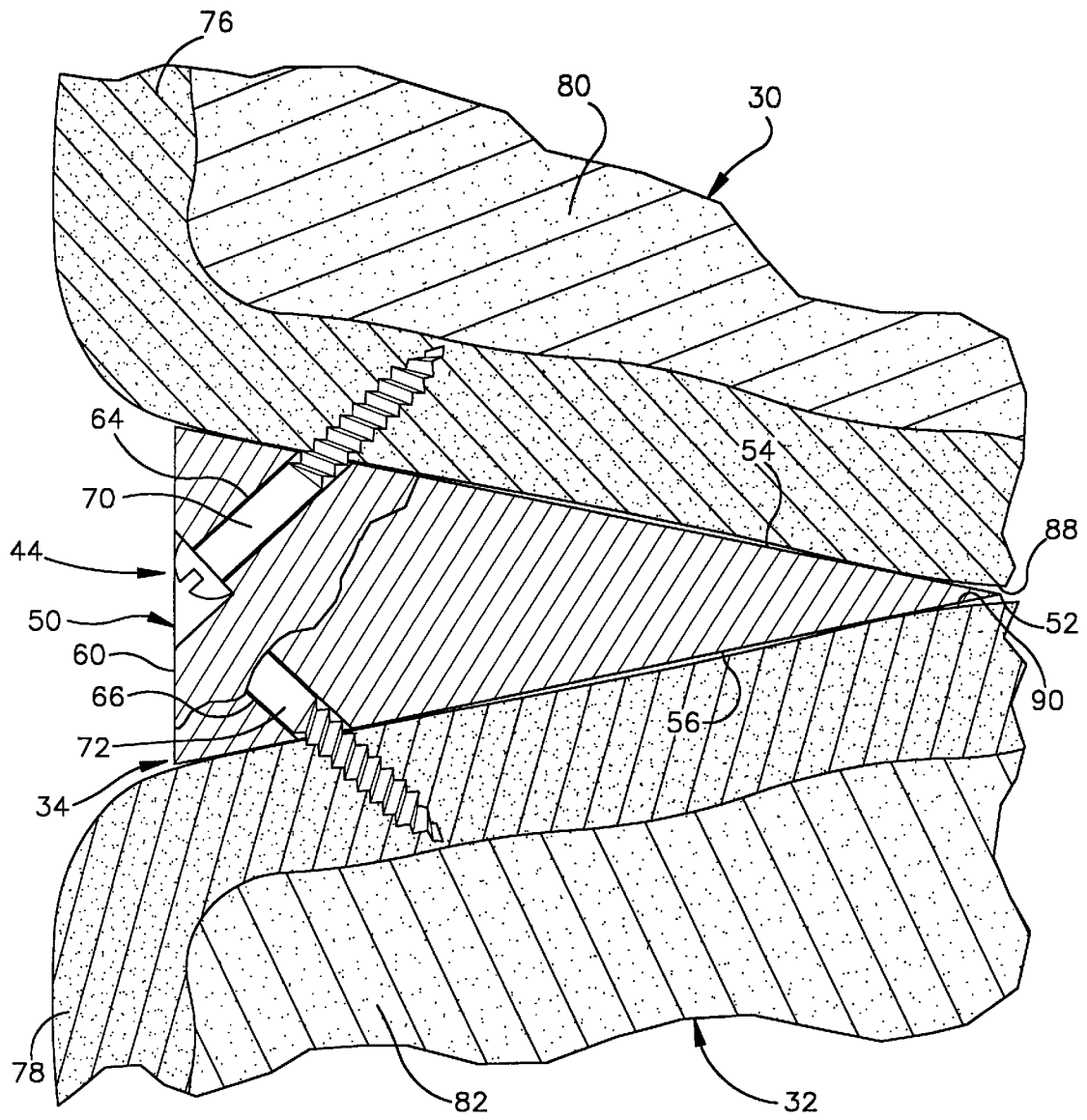
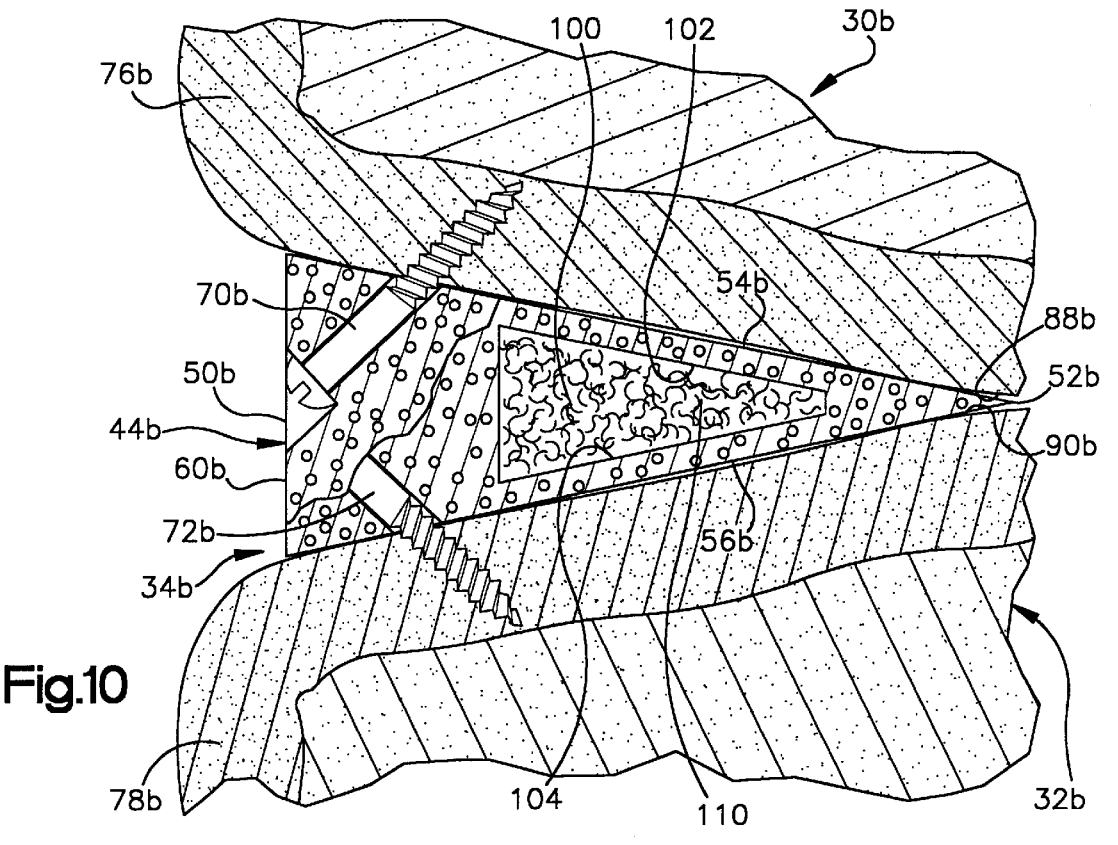
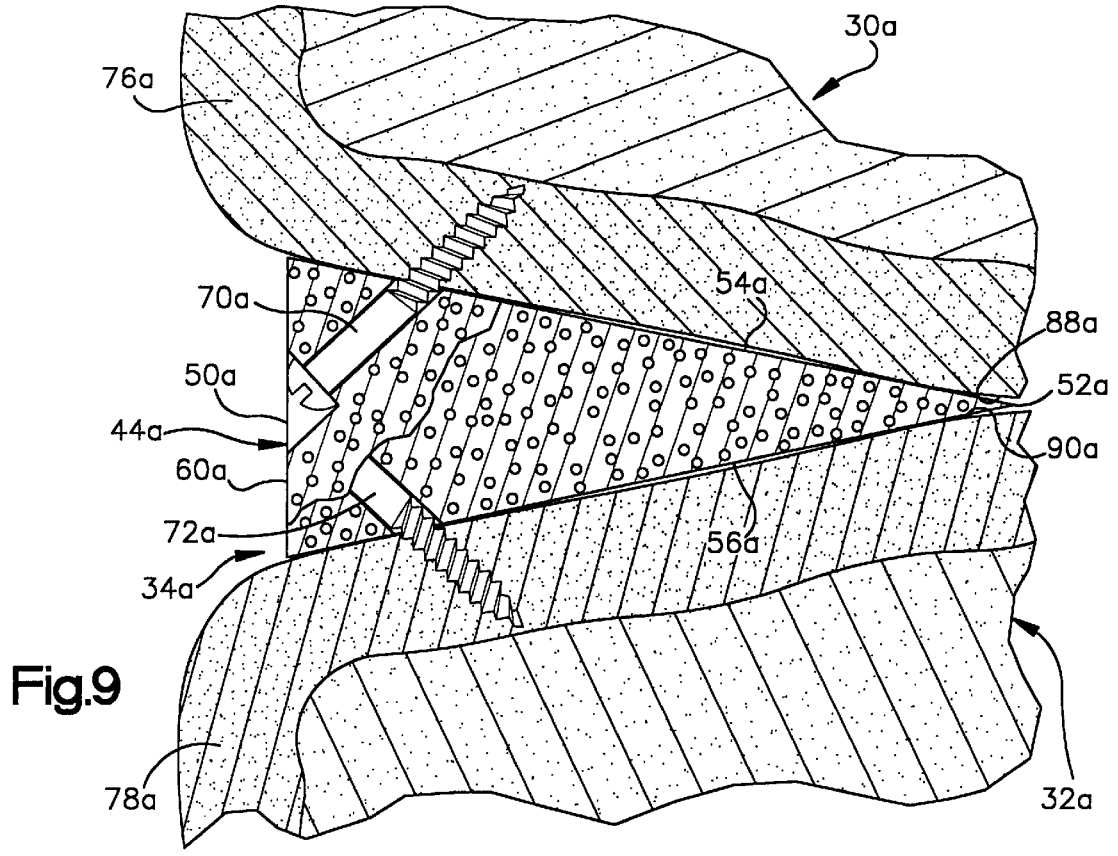


Fig.8



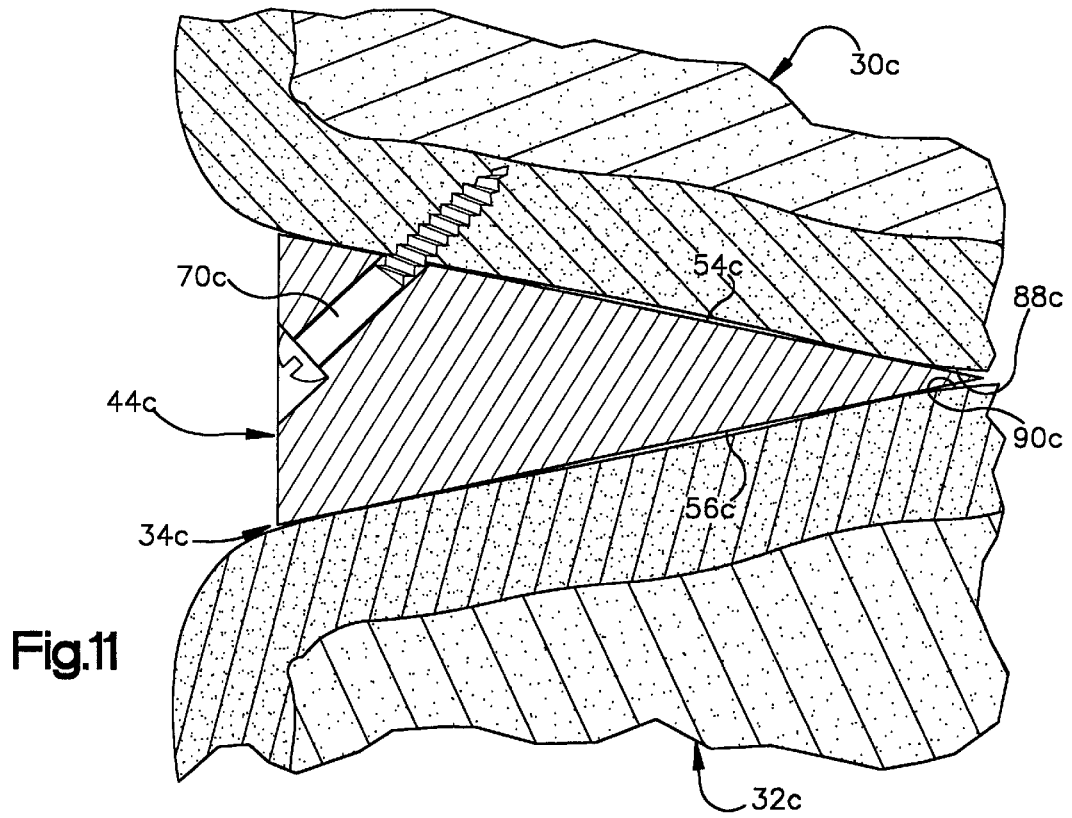


Fig.11

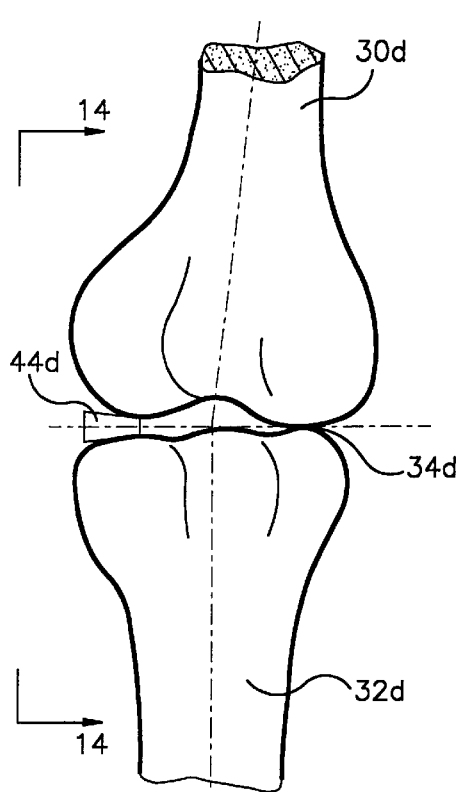


Fig.12

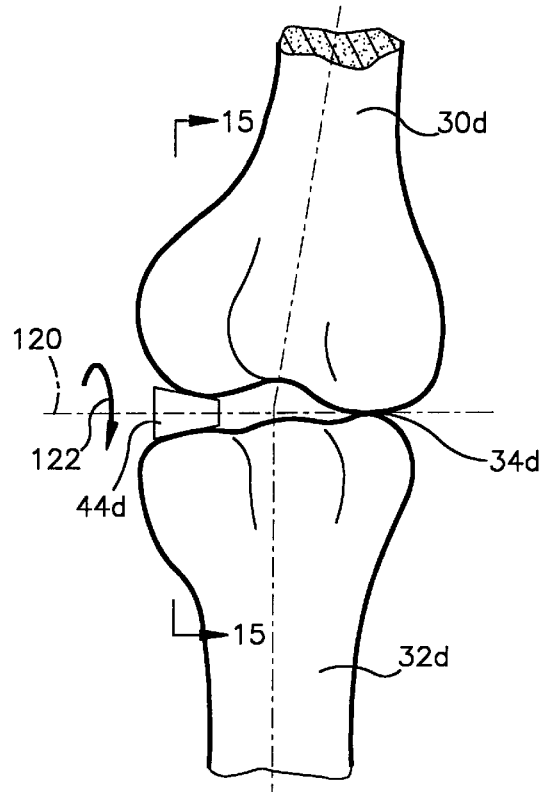
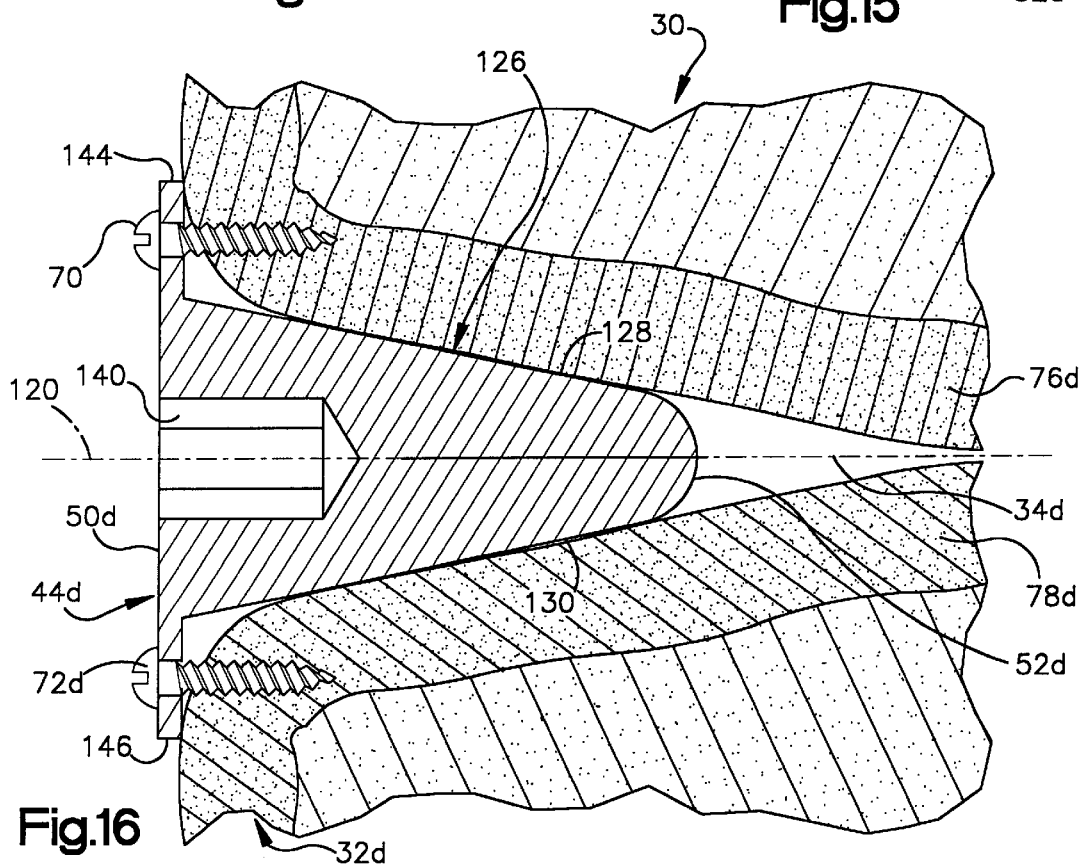
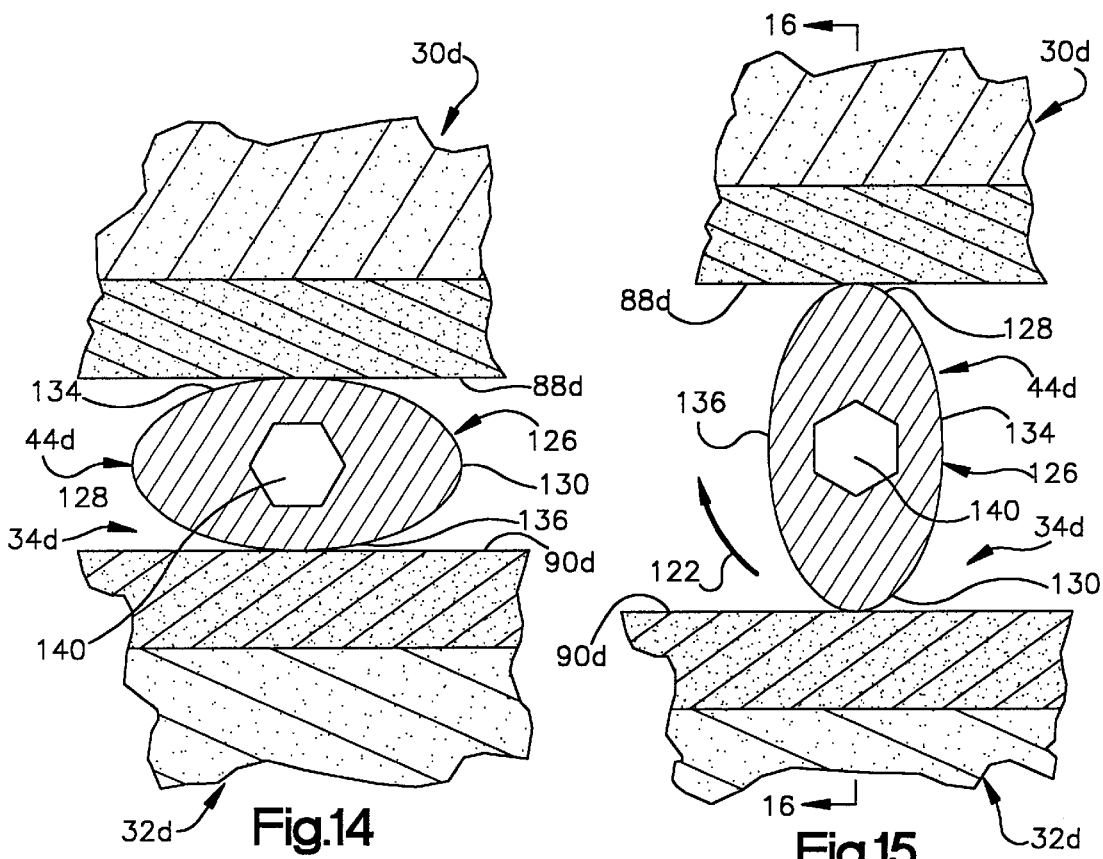


Fig.13



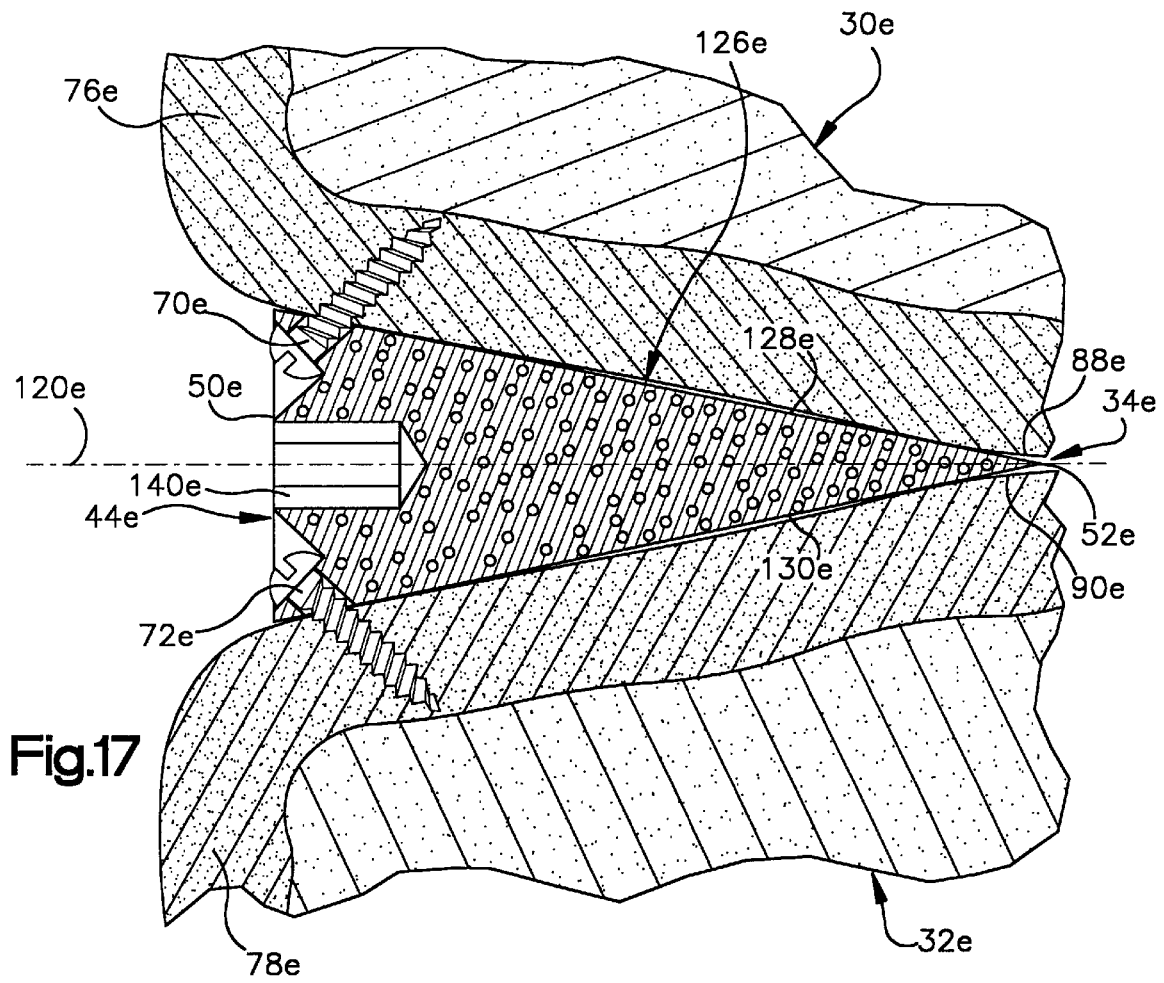
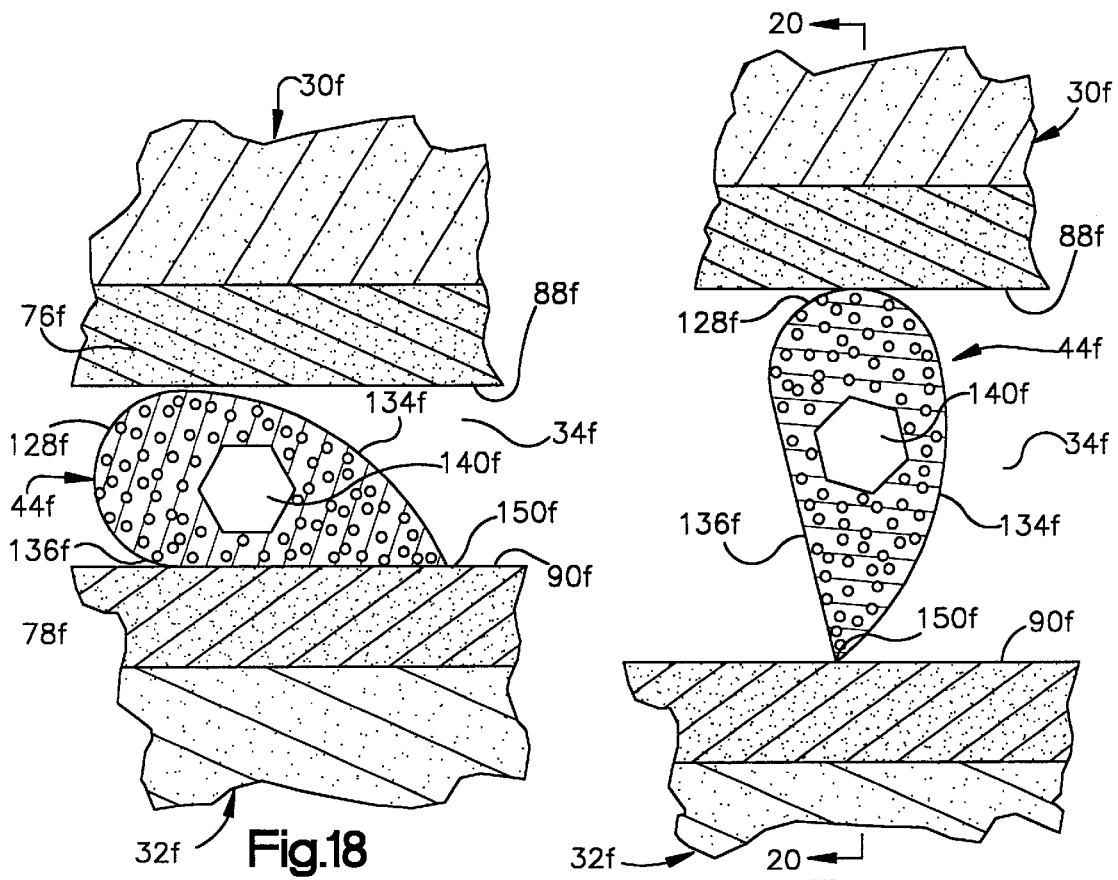


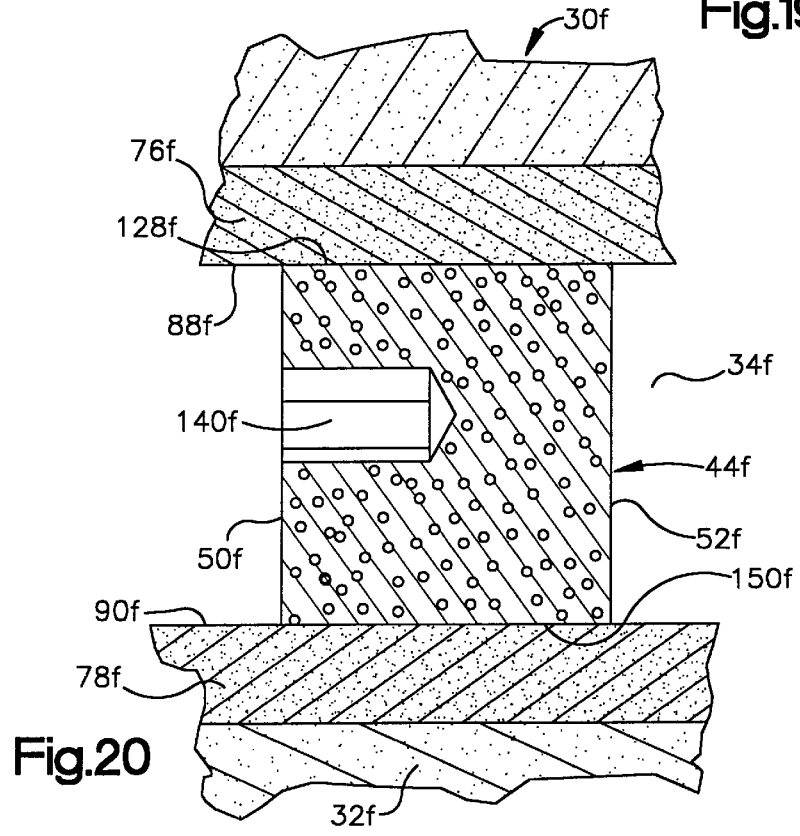
Fig.17





32f **Fig.18**

32f **Fig.19**



**Fig.20**

32f

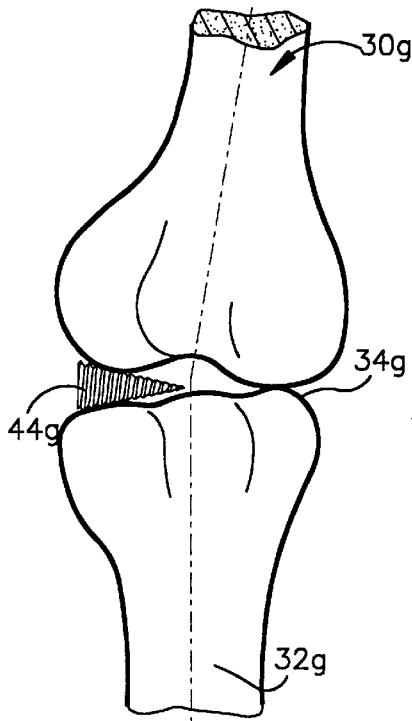


Fig. 21

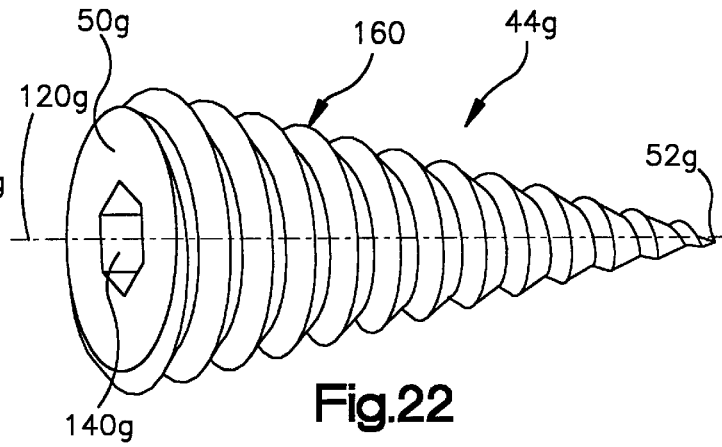


Fig. 22

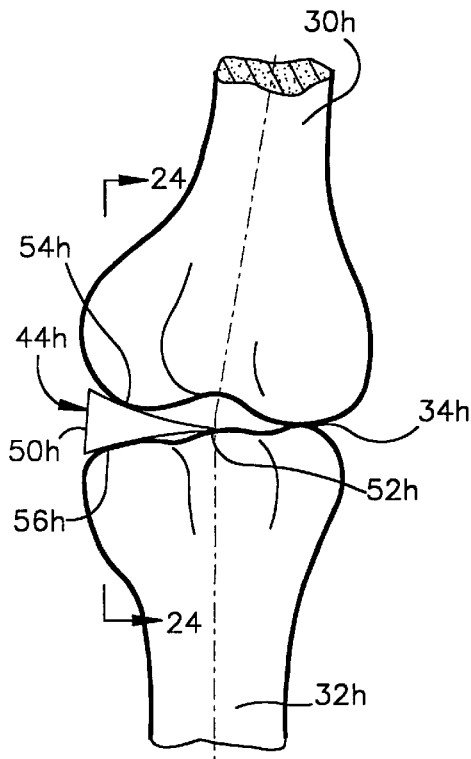


Fig. 23

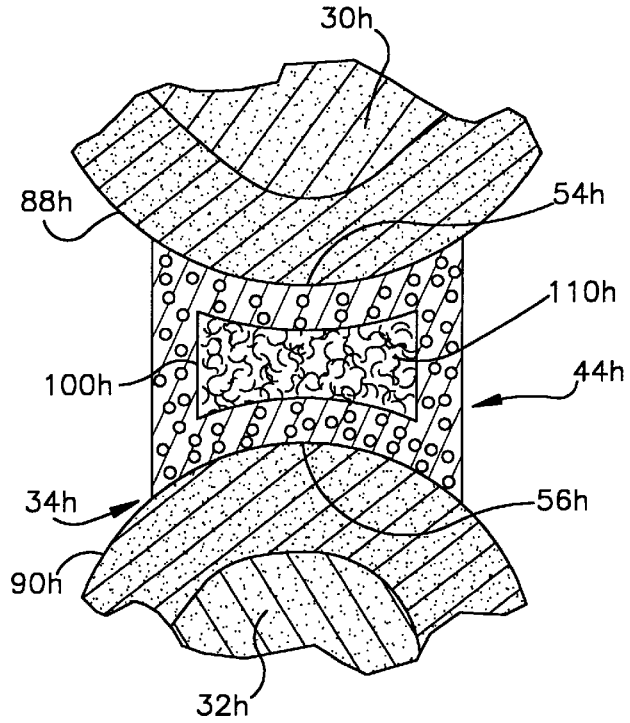


Fig. 24

## CHANGING RELATIONSHIP BETWEEN BONES

### BACKGROUND OF THE INVENTION

The present invention relates to a new and improved method of changing a spatial relationship between bones which are interconnected at a joint in a patient's body.

It has previously been suggested that joints between bones be fused, that is, surgically immobilized, to promote patient comfort. Thus, U.S. Pat. No. 5,026,373 suggests that a fusion cage be positioned between adjacent vertebrae. Perforations are formed in the cage. The cage is packed with a bone-inducing substance. A method for immobilizing vertebrae is also disclosed in U.S. Pat. No. 5,015,255.

It has previously been suggested that the spatial relationship between portions of a bone in a patient's body be changed to correct deformities. This may be done by removing a wedge-shaped piece of bone in the manner disclosed in U.S. Pat. No. 5,601,565.

Another method of changing the spatial relationship between portions of a bone in a patient's body includes forming a slot in the bone. A forked wedge tool is inserted into the slot. A plate is then placed in a central opening in the forked wedge tool and positioned against the bone. The plate is secured to the bone. The forked wedge tool is then removed from the opening. This method of changing the spatial relationship between portions of a bone in a patient's body is disclosed in U.S. Pat. No. 5,620,448.

A method and apparatus for use in changing a spatial relationship between portions of a bone in a patient's body is also disclosed in co-pending U.S. patent application Ser. No. 09/109,126, filed Jun. 30, 1998 by Peter M. Bonutti and entitled Method And Apparatus For Use In Operating On A Bone. This application discloses the use of a wedge member to expand a slot formed in a bone. The wedge member is porous and may be coated with and/or contain bone growth promoting material. The wedge member may have a configuration which corresponds to a configuration of a portion of the bone which is engaged by the wedge member. Alternatively, the wedge member disclosed in the aforementioned application Ser. No. 09/109,126 may have a circular cross sectional configuration with an external thread convolution to enable the wedge member to be moved into an opening in a bone by rotating the wedge member.

### SUMMARY OF THE INVENTION

A new and improved method and apparatus is provided to change a spatial relationship between bones which are interconnected at a joint in a patient's body. When this is to be done, an opening is formed in a portion of the patient's body to expose the joint interconnecting the bones. One of the bones is moved relative to the other by expanding at least a portion of the joint with a wedge member. The wedge member is moved into the joint and applies force against the bones. The opening is closed with the wedge member still disposed in the joint between the bones. Force is then transmitted between the bones through the wedge member to maintain the joint in an expanded condition.

If the joint is to be flexed after being expanded by the wedge member, the wedge member may be connected with only one of the bones. Alternatively, if the joint is to be immobilized (fused) after inserting the wedge member, the wedge member may be fixedly connected with the bones interconnected at the joint. The wedge member may be porous and may be coated with and/or contain bone growth promoting material.

One embodiment of the wedge member has major side surfaces extending between thick and thin end portions of the wedge member. The wedge member is moved into the joint with the thin end portion leading. As the wedge member is moved into the joint, the thick trailing end portion of the wedge member expands the joint.

In another embodiment of the invention, the wedge member is rotated relative to the joint to expand the joint. The wedge member may have a circular cross sectional configuration and an external thread convolution which extends from a thin leading end of the wedge member to a thick trailing end of the wedge member. The wedge member is pressed into the joint and rotated to cause the wedge member to expand the joint.

In another embodiment of the invention, the wedge member has surface areas which are relatively close together and other surface areas which are relatively far apart. The wedge member is moved into the joint with the surface areas which are close together engaging the adjacent bones. The wedge member is then rotated to apply force against the adjacent bones to expand the joint. The wedge member may be rotated about its central axis to apply force against the bones and expand the joint. Alternatively, the wedge member may be rotated about a location where the wedge member engages one of the bones.

Regardless of which embodiment of the wedge member is selected, the wedge member may be used with any one of the many different bones and joints in a patient's body. The wedge member may be utilized at joints in a patient's wrist, ankle, hand, foot, back or other portions of the patient's body. The wedge member may be particularly advantageous when a joint between vertebrae in patient's back is to be immobilized. One or more wedge members may be used to expand a joint and transmit force between bones.

### BRIEF DESCRIPTION OF THE DRAWINGS

The foregoing and other features of the present invention will become more apparent from the following description taken in connection with the accompanying drawings wherein:

FIG. 1 is a schematic illustration depicting the spatial relationship between bones at a joint in a patient's body;

FIG. 2 is a schematic illustration depicting the manner in which a wedge member is inserted into the joint between the bones of FIG. 1 to expand a portion of the joint and change the spatial relationship between the bones;

FIG. 3 is a schematic illustration of another embodiment of the invention in which the joint of FIG. 1 is flexed after the wedge member has been inserted into the joint and connected with only one of the bones;

FIG. 4 is a schematic illustration depicting an alternative manner of inserting the wedge member into the joint between the bones of FIG. 1;

FIG. 5 is a schematic pictorial illustration of the wedge member of FIGS. 2 and 3;

FIG. 6 is a plan view further illustrating the construction of the wedge member of FIG. 5;

FIG. 7 is a side view, taken generally along the line 7—7 of FIG. 6, of the wedge member of FIG. 5;

FIG. 8 is an enlarged fragmentary schematic sectional view depicting the manner in which the wedge member of FIGS. 5-7 is positioned, as shown in FIG. 2, in a joint between bones;

FIG. 9 is a fragmentary schematic sectional view, generally similar to FIG. 8, but on a reduced scale, illustrating an embodiment of the invention in which the wedge member is porous;

FIG. 10 is a fragmentary schematic sectional view, generally similar to FIG. 9, illustrating an embodiment of the wedge member which is porous and has a chamber which holds bone growth promoting material;

FIG. 11 is a fragmentary schematic sectional view, generally similar to FIGS. 8-10, illustrating the manner in which the wedge member of FIG. 3 is connected with only one bone to enable the joint between bones to be flexed;

FIG. 12 is a schematic illustration depicting the manner in which a rotatable wedge member is moved into a joint between bones;

FIG. 13 is a schematic illustration depicting the wedge member of FIG. 12 after the wedge member has been rotated to expand a portion of the joint between the bones;

FIG. 14 is an enlarged fragmentary schematic sectional view, taken generally along the line 14-14 of FIG. 12, illustrating the relationship of the rotatable wedge member to the bones prior to rotation of the wedge member;

FIG. 15 is an enlarged fragmentary schematic sectional view, taken generally along the line 15-15 of FIG. 13, illustrating the relationship of the rotatable wedge member of FIG. 14 to the bones after rotation of the wedge member;

FIG. 16 is a fragmentary schematic sectional view, taken generally along the line 16-16 of FIG. 15, illustrating the manner in which the rotatable wedge member is connected with the bones;

FIG. 17 is a fragmentary schematic sectional view, generally similar to FIG. 16, illustrating an embodiment of the rotatable wedge member which is porous;

FIG. 18 is a fragmentary sectional view, generally similar to FIG. 14, illustrating the relationship between the bones at a joint when another embodiment of the rotatable wedge member is in the initial orientation illustrated in FIG. 12 relative to the bones;

FIG. 19 is a fragmentary schematic sectional view, generally similar to FIG. 15, illustrating the relationship of the rotatable wedge member of FIG. 18 to the bones after the wedge member has been rotated;

FIG. 20 is a fragmentary schematic sectional view, taken generally along the line 20-20 of FIG. 19, further illustrating the construction of the rotatable wedge member;

FIG. 21 is a schematic illustration, generally similar to FIG. 2, depicting the manner in which another embodiment of the rotatable wedge member is moved into a joint between bones in a patient's body;

FIG. 22 is an enlarged schematic pictorial illustration of the rotatable wedge member of FIG. 21;

FIG. 23 is a fragmentary schematic illustration, generally similar to FIG. 2, depicting the manner in which another embodiment of the wedge member is moved into a joint between bones in a patient's body; and

FIG. 24 is an enlarged fragmentary schematic sectional view, taken generally along the line 24-24 of FIG. 23, further illustrating the relationship of the wedge member to the bones.

#### DESCRIPTION OF SPECIFIC PREFERRED EMBODIMENTS OF THE INVENTION

##### General Description

An upper or first bone 30 in a patient's body is illustrated schematically in FIG. 1. A lower or second bone 32 is connected with the upper bone 30 at a joint 34. The bones 30 and 32 and joint 34 have been illustrated schematically to

represent any one of many bones and joints in a patient's body. Thus, the bones 30 and 32 and joint 34 may be disposed in a patient's hand, foot, back, or other portion of the patient's body. It should be understood that the bones 30 and 32 and joint 34 have been illustrated schematically in FIG. 1 as being representative of any one of the many joints in a human patient's body and it is not intended to limit the present invention to any particular joint.

In order to correct deformities, improve patient comfort or other reasons, it may be desired to change the spatial relationship between the upper and lower bones 30 and 32. Thus, it may be desired to change the angular relationship between longitudinal central axes 38 and 40 from the relationship illustrated schematically in FIG. 1 to the relationship illustrated schematically in FIG. 2.

In order to change the spatial relationship between the longitudinal central axes 38 and 40 of the bones 30 and 32, an opening is formed in a portion of the patient's body to expose the joint 34. A wedge member 44 (FIG. 2) is moved into the exposed joint 34 between the bones 30 and 32. The wedge member 44 applies force against the outer side surfaces of the bones 30 and 32 at the joint 34 to expand a portion of the joint.

As the wedge member 44 is moved into the joint 34, in the manner illustrated schematically in FIG. 2, the lower bone 32 is pivoted relative to the upper bone 30 about an axis extending through the joint 34. This changes the angular orientation of the lower bone 32 relative to the upper bone 30. Thus, the spatial relationship between the upper and lower bones 30 and 32 is changed from the spatial relationship illustrated in FIG. 1 to the spatial relationship illustrated in FIG. 2 by the wedge member 44.

In FIG. 2, the wedge member 44 has been illustrated schematically as having an extent which corresponds to approximately one-half of the extent of the joint 34. However, it is contemplated that the wedge member 44 could have an extent which is either smaller than or greater than the extent illustrated in FIG. 2. Thus, the distance between the thick and thin end portions of the tapered wedge member 44 may be less than one-half of the width of the joint 34. Similarly, the distance between the thin leading end portion and thick trailing end portion of the wedge member 44 may be greater than one-half of the width of the joint 34.

The wedge member 44 may be relatively narrow, as measured along the thin end portion of the wedge member. This would enable a plurality of narrow wedge members 44 to be used to expand a single joint 34. If the wedge member 44 is relatively wide, only a single wedge member may be required to expand a joint 34, as shown in FIG. 2.

In the embodiment of the invention illustrated in FIG. 2, the joint 34 is fused after the joint has been expanded by the wedge member 44 to change the spatial relationship between the bones 30 and 32. Thus, after the joint 34 has been expanded by the wedge member 44, the joint is immobilized with the upper and lower bones 30 and 32 in the spatial relationship illustrated in FIG. 2. When the wedge member 44 is utilized in association with joints between vertebrae in a patient's back, it is believed that it may be particularly advantageous to immobilize the joint 34.

Immobilization of the joint 34 may be accomplished by connecting the wedge member 44 with both the upper bone 30 and the lower bone 32. Immobilization of the joint 34 may also be accomplished by the growth of bone and/or other body tissue between the two bones 30 and 32 at the joint 34. Known bone growth promoting materials may be provided at the joint 34 if desired. The bone growth pro-

moting materials may include bone morphogenic proteins and/or other osteoinductive materials.

In the embodiment of the invention illustrated in FIG. 3, the joint 34 is capable of being flexed after the wedge member 44 has been utilized to expand a portion of the joint. Thus, once the wedge member 44 has been inserted into the joint 34, in the manner illustrated in FIG. 2, the patient may flex the joint under the influence of force transmitted to the bones 32 and 30 from muscle tissue in the patient's body.

When the joint 34 is flexed, as illustrated schematically in FIG. 3, the bone 32 moves away from the wedge member 44. The wedge member 44 is fixedly connected to only the bone 30. This allows the bone 32 to move away from the wedge member. It is believed that it will be particularly advantageous to enable the joint 34 to be flexed when the wedge member is utilized to correct deformities occurring in hands, feet, wrists or ankles of a patient. However, it should be understood that the wedge member could be attached to a single bone at any joint in a patient's body which is to be flexed after the wedge member has been used to expand the joint.

In the embodiment of the invention illustrated in FIGS. 1-3, the wedge member 44 has been shown as being moved into the joint 34 in a direction which is perpendicular to an axis about which the joint is flexed. Thus, the wedge member 44 is moved into the joint 34 (FIG. 2) in a direction perpendicular to the axis about which the joint 34 is schematically illustrated in FIG. 3 as being flexed.

In the embodiment of the invention illustrated in FIG. 4, the wedge member 44 is inserted into the joint 34 in a direction parallel to the axis about which the joint is normally flexed. Thus, the wedge member 44 is illustrated in FIG. 4 as being inserted into the joint 34 in a direction perpendicular to the plane of the drawing of the joint 34 in FIGS. 1 and 3. It should be understood that the wedge member 44 could be inserted into a joint, such as the joint 34, in any desired direction in order to obtain a desired expansion of the joint. Thus, the wedge member 44 could be moved into the joint 34 along a path which is neither perpendicular to or parallel to the axis about which the joint is flexed.

After one or more wedge members 44 have been positioned in a joint 34, in the manner previously explained, the opening in the patient's body is closed. When the opening in the patient's body is closed, the wedge member 44 remains in the joint 34 between the bones 30 and 32. The wedge member 44 is formed of a rigid material which is capable of transmitting force between the bones 30 and 32 immediately after being positioned in the joint 34. Therefore, the wedge member 44 is effective to maintain the changed spatial relationship, such as the spatial relationship illustrated in FIG. 2, between the bones 30 and 32 during loading of the joint 34 immediately after positioning of the wedge member in the joint.

#### Wedge Member

The wedge member 44 (FIGS. 5-7) tapers from a thick end portion 50 to a thin end portion 52. The wedge member 44 has flat upper and lower major side surfaces 54 and 56 (FIG. 7) which slope toward each other from the thick end portion 50 to the thin end portion 52. The major side surfaces 54 and 56 intersect at the thin end portion 52. The pointed thin end portion 52 of the wedge member 44 facilitates moving the wedge member into the joint 34 between the bones 30 and 32 (FIG. 2).

In the illustrated embodiment of the wedge member 44 (FIGS. 5-7), the thick end portion 50 has an outer side

surface 60 which forms a portion of a cylinder. The thin end portion 52 extends diametrically across the cylinder (FIG. 6). Therefore, the wedge member 44 has a semi-circular configuration. However, it should be understood that the configuration of the upper and lower major side surfaces 54 and 56 of the wedge member 44 corresponds to the configuration of the joint with which the wedge member is to be associated.

The semi-circular outer side surface 60 will, for many joints at least, have an irregular configuration other than the semi-circular configuration illustrated in FIGS. 5 and 6. This enables the outer side surface 60 to be aligned with the outer side surfaces of the bones 30 and 32 at the joint 34. Since most bones do not have outer side surfaces which form portions of a semi-circular, it is believed that in all probability, the wedge member 44 will have an outer side surface 60 with an irregular configuration rather than the semi-circular configuration illustrated in FIG. 5.

The extent of the thin end portion 52 of the wedge member 44 may be substantially less than shown in FIG. 6. Thus, the extent of the thin end portion 52 of the wedge member 44 may be less than one-half of the extent shown in FIG. 6. This would result in the major side surfaces 54 and 56 of the wedge member 44 having a generally U-shaped configuration. Parallel triangular side surfaces would extend between the outer side surface 50 of the wedge member 44 and opposite ends of the thin end portion 52. These triangular side surfaces would be spaced from opposite sides of the joint 34 when the wedge member 44 is inserted into the joint.

When the wedge member 44 has a relatively narrow, generally U-shaped configuration, a plurality of the wedge members may be inserted into a single joint 34 (FIG. 1). When a plurality of narrow wedge members 44 are used at one joint 34, the wedge members may have different configurations. Thus, the wedge members 44 may have different lengths and/or different angles between the upper and lower major side surfaces 54 and 56 of the wedge members.

The upper and lower major side surfaces 54 and 56 of the wedge member 44 slope toward each other from the thick end portion 50 to the thin end portion 52 of the wedge member. It is contemplated that a plurality of wedge members 44 having different acute angles between the upper and lower major side surfaces 54 and 56 may be provided. This would enable a surgeon to select the wedge member 44 having a desired thickness at the thick end portion 50. Thus, if a surgeon determines that a joint should be expanded to either a lesser or greater amount than would be accomplished by a wedge member having one angle, the surgeon may select a wedge member having a different angle and thickness to effect the desired expansion of the joint 34. It is also contemplated that a plurality of wedge members 44 having different widths, as measured along the thin end portion 52, may be provided.

The acute angle between the flat upper and lower major side surfaces 54 and 56 is determined by the extent to which the joint 34 is to be expanded, that is, the extent to which the spatial relationship between the bones 30 and 32 is to be changed by insertion of the wedge member 44. Of course, the specific angle provided between the upper and lower major side surfaces 54 and 56 of the wedge member 44 will vary depending upon the size of the joint with which the wedge member is used and the extent to which the spatial relationship between the bones 30 and 32 is to be changed by use of the wedge member. In addition, the length and width of the wedge member 44 inserted into a particular

joint will be determined by the extent to which the joint is to be expanded and the total number of wedge members to be inserted into the joint.

It is believed that it may be desired to have the acute angle between the upper and lower major side surfaces **54** and **56** (FIG. 6) of the wedge member **44** within a range between one and thirty degrees. Although it is difficult to be certain, it is believed that it may be preferred to have the acute angle between the upper and lower major side surfaces **54** and **56** of the wedge member **44** vary within a range of five degrees to twenty degrees. It should be understood that the foregoing specific ranges of sizes for the angle between the upper and lower major side surfaces **54** and **56** of the wedge member **44** have been set forth herein for purposes of clarity of description and it is contemplated that the angle between the upper and lower major side surfaces **54** and **56** may be any one of many angles other than these specific angles.

The size of the wedge member relative to a specific joint **34** may vary depending upon the deformity to be corrected. Thus, a narrow wedge member **44** may have a thin end portion **52** (FIG. 6) with a length which is relatively small compared to the width of a joint. The thin end portion **52** of the narrow wedge member **44** could have a length of less than one fourth the distance across the joint. This would result in opposite ends of the thin end portion **52** being spaced from the periphery of the joint. It is contemplated that a plurality of narrow wedge members **44** could be used to expand a single joint.

The wedge member **44** may be formed of any one of many different known materials which are compatible with a patient's body. For example, the wedge member may be formed of human or animal bone, stainless steel, tantalum, a porous ceramic, or a polymeric material. If desired, the wedge member may be formed of a biodegradable material. However, it is preferred to have the wedge member **44** formed of a rigid material which is capable of enabling force to be transmitted through the joint **34** between the bones **30** and **32** immediately after installation of the wedge member in the joint.

In the embodiment of the invention illustrated in FIG. 2, the joint **34** is immobilized. To facilitate immobilization of the joint **34**, the wedge member **44** is fixedly connected with the bone **30** and with the bone **32**. To facilitate fixedly connecting the wedge member **44** with the bones **30** and **32**, a pair of passages **64** and **66** are formed in the wedge member **44** (FIGS. 6 and 7). When the wedge member **44** is positioned in the joint **34** (FIG. 2), suitable fasteners, that is screws **70** and **72** extend through the passages **64** and **66** into the bones **30** and **32** in the manner indicated schematically in FIG. 8. The screws **70** and **72** engage hard cortical outer layers **76** and **78** of the bones **30** and **32**. If desired, the screws **70** and **72** could extend into the relatively soft cancellous bone **80** and **82**.

Although the wedge member **44** has been illustrated in FIG. 8 as being connected with the bones **30** and **32** by a pair of screws **70** and **72**, it should be understood that the wedge member **44** may be connected with only one of the bones **30** or **32** by only one of the screws **70** or **72** if desired. For example, if the wedge member **44** is connected with the bone **30** by the screw **70**, the joint **34** could be flexed in the manner illustrated schematically in FIG. 3, after the wedge member **44** has been moved into the joint.

#### Positioning of Wedge Member

When the wedge member **44** is to be inserted in to the joint **34** to change the spatial relationship between the bones

**30** and **32** in the manner illustrated schematically in FIG. 2, a location for insertion of the wedge member into the joint **34** is selected by a surgeon. The specific location at which the wedge member **44** is inserted into the joint **34** to expand the joint will be selected by the surgeon as a function of the desired result from a particular operation. In addition, the size of the wedge member **44** will be selected by the surgeon as a function of the joint and the result to be obtained from a particular operation.

The configuration of the wedge member **44** will be selected by the surgeon as a function of the location where the wedge member is to be inserted into the joint **34**. The wedge member **44** may be relatively wide and have a long thin end portion **52**, as shown in FIG. 6, to enable the thin end portion to extend between opposite sides of the joint. Alternatively, the wedge member **44** may be relatively narrow and have a thin end portion **52** which is short. If this is done, the thin end portion **52** would not extend between opposite sides of the joint **34**. A plurality of the narrow wedge members **44** may be inserted into a single joint **34** to expand the joint and transmit force between the bones **30** and **32**.

The surgeon makes an incision in soft body tissue surrounding the joint **34** to expose the joint. Once the joint **34** has been exposed, the thin end portion **52** (FIGS. 5 and 6) of the wedge member **44** is moved into the joint **34**. When the wedge member **44** is to be inserted into a joint in the manner illustrated schematically in FIG. 2, the longitudinal central axis of the thin end portion **52** of the wedge member is aligned with an axis about which the joint pivots. The wedge member is then moved into the joint **34** along a linear path which extends perpendicular to the axis about which the joint pivots. The wedge member **44** is moved into the joint **34** by applying force against the trailing thick end portion **50** of the wedge member.

As the wedge member **44** is moved into the joint **34**, the upper major side surface **54** (FIGS. 5 and 7) of the wedge member slides along an outer side surface **88** (FIG. 8) of the outer layer **76** of hard cortical bone. The lower major side surface **56** of the wedge member **44** slides along an outer side surface **90** of the outer layer **78** of hard cortical bone.

The outer side surfaces **88** and **90** of the bones **30** and **32** are in their naturally occurring conditions. Thus, the outer side surfaces **88** and **90** of the bones **30** and **32** are not cut away to prepare for insertion of the wedge member **44** into the joint **34**. However, it should be understood that under certain circumstances that it may be necessary to abrade or otherwise cut the outer side surfaces **88** and **90** of the outer layers **76** and **78** of hard cortical bone to prepare the joint **34** for insertion of the wedge member **44**.

As the thin leading end portion **52** (FIG. 8) of the wedge member **44** moves into the joint **34**, the upper and lower major side surfaces **54** and **56** apply force against the outer side surfaces **88** and **90** on the bones **30** and **32**. As this occurs, the joint **34** is expanded. As the joint **34** is expanded, the bone **32** is pivoted, relative to the bone **30**, from the initial orientation, shown in FIG. 1, to the improved orientation shown in FIG. 2. As this occurs, the longitudinal central axis **40** of the bone **32** moves relative to the longitudinal central axis **38** of the bone **30**. Therefore, the angular relationship between the bones **30** and **32** is changed by expansion of a portion of the joint **34** by insertion of the wedge member **44** into the joint.

When the wedge member **44** has been pressed the desired distance into the joint **34**, by the application of force against the thick end portion **50** of the wedge member **44**, the outer

side surface 60 on the wedge member moves slightly inward of the outer side surfaces on the bones 30 and 32 (FIG. 8). The outer side surface 60 on the wedge member 44 has a configuration which corresponds to the configurations of the outer side surfaces on the bones 30 and 32 adjacent to the joint 34. Therefore, the wedge member 44 does not project outward from the joint. This minimizes any tendency of the wedge member to subsequently abrade body tissue adjacent to the joint 34.

Once the wedge member 44 has been moved into the desired orientation relative to the bones 30 and 32, as illustrated schematically in FIG. 8, the wedge member 44 is fixedly connected with the bones 30 and 32 by the screws 70 and 72 to immobilize the joint. The area surrounding and directly adjacent to the wedge member 44 is packed with bone growth promoting material and/or bone chips. The bone growth promoting materials may include bone morphogenic proteins and/or other osteoinductive materials. This promotes fusion of the bones 30 and 32 for remedial immobilization of the joint 34.

Since the wedge member 44 is rigid, it can immediately transmit loads between the bones 30 and 32. Therefore, after the incision which exposed the joint 34 has been closed, the patient can begin to load the joint 34. The wedge member 44 is effective to maintain the joint 34 in an expanded condition during loading of the joint. Therefore, the bones 30 and 32 remain in the improved spatial relationship illustrated in FIG. 2 during loading of the joint 34.

#### Wedge Member—Second Embodiment

In the embodiment of the invention illustrated in FIGS. 1–8, a solid wedge member has been utilized to expand the joint 34. In the embodiment of the invention illustrated in FIG. 9, a porous wedge member is utilized to expand a joint. Since the embodiment of the invention illustrated in FIG. 9 is generally similar to the embodiment of the invention illustrated in FIGS. 1–8, similar numerals will be utilized to designate similar components, the suffix letter “a” being associated with the numerals of FIG. 9 in order to avoid confusion.

A wedge member 44a is positioned in a joint 34a between bones 30a and 32a. The wedge member 44a engages outer side surfaces 88a and 90a on layers 76a and 78a of hard cortical bone. The outer side surfaces 88a and 90a are in their naturally occurring conditions.

As the wedge member 44a is moved into the joint 34a, flat upper and lower major side surfaces 54a and 56a on the wedge member 44a slide along the outer side surfaces 88a and 90a on the bones 30a and 32a. The upper and lower major side surfaces 54a and 56a of the wedge 44a apply force against the outer side surfaces 88a and 90a of the bones 30a and 32a to expand the joint 34a as the wedge member is moved into the joint. The wedge member 44a is moved into the joint 34a under the influence of force applied against an outer side surface 60a on a trailing thick end portion 50a of the wedge member 44a.

Once the joint 34a has been expanded to change the spatial relationship between the bones 30a and 32a, suitable fasteners (screws) 70a and 72a are inserted through passages in the wedge member 44a. The screws 70a and 72a engage the hard cortical outer layers 76a and 78a of bone to fixedly secure the wedge member 44a with the bones 30a and 32a.

A single wedge member 44a is used to expand the joint 34a. However, a plurality of narrow wedge members 44a may be inserted into the joint at spaced apart locations about the periphery of the joint if desired.

In accordance with a feature of this embodiment of the invention, the wedge member 44a is porous so that bone can grow through the wedge member. It is contemplated that the wedge member could be provided with a porous construction by having passages extend through the wedge member between the upper and lower major side surfaces 54a and 56a of the wedge member. The open ends of the passages would enable bone to grow through the wedge member 44a.

In the embodiment of the wedge member 44a illustrated in FIG. 9, the wedge member is formed of a rigid open cell material. The open cell material provides cavities in which bone can grow through the wedge member 44a. Thus, the wedge member 44a (FIG. 9) has a cellular construction similar to coral.

It is contemplated that the wedge member 44a may be coated with a material which promotes the growth of bone. The cells in the wedge member 44a may be at least partially filled with bone growth promoting material. The bone growth promoting materials may be bone morphogenic proteins and other osteoinductive materials. In addition to bone growth promoting material associated with the wedge member 44a, the space around and adjacent to the wedge member 44a in the joint 34a may be packed with bone growth promoting material and/or bone chips.

The wedge member 44a is rigid and can be subject to normal loading immediately after being positioned in the joint 34a. This enables the patient to subject the bones 30a and 32a to normal loading without waiting for fusion to occur through and around the wedge member 44a. Of course, with the passage of time, the growth of bone through the wedge member 44a and around the wedge member will strengthen the immobilization of the joint 34a.

In the embodiment of the invention illustrated in FIG. 9, the passages through the wedge member 44a are formed by the open cell structure of the wedge member. This results in the passages through the wedge member 44a having an irregular configuration. If desired, linear passages could be formed in the wedge member 44a. The linear passages may be drilled, cast, or formed in other ways in the wedge member 44a.

#### Hollow Wedge Member

In the embodiment of the invention illustrated in FIGS. 1–8, the wedge member 44 is formed by a solid piece of material. In the embodiment of the invention illustrated in FIG. 9, the wedge member 44a is formed by a continuous piece of porous material. In the embodiment of the invention illustrated in FIG. 10, the wedge member is formed by a hollow piece of porous material. Since the embodiment of the invention illustrated in FIG. 10 is generally similar to the embodiments of the invention illustrated in FIGS. 1–9, similar numerals will be utilized to designate similar components, the suffix letter “b” being associated with the numerals of FIG. 10 to avoid confusion.

In the embodiment of the invention illustrated in FIG. 10, a wedge member 44b is inserted into a joint 34b between bones 30b and 32b to expand the joint. Expansion of the joint 34b by the wedge member 44b changes the spatial relationship between the bones 30b and 32b. The wedge member 44b is held against movement relative to the bones 30b and 32b by fasteners (screws) 70b and 72b. The fasteners 70b and 72b extend through passages in the wedge member 44b into layers 76b and 78b of hard cortical bone on bones 30b, 32b. The layers 76b and 78b are in their naturally occurring condition.

When the wedge member 44b is to be moved into the joint, a thin end portion 52b of the wedge member 44b is

pressed into the joint **34b** by applying force against an outer side surface **60b** at a thick end portion **50b** of the wedge member **44b**. The force applied against the trailing thick end portion **50b** of the wedge member **44b** causes flat upper and lower major side surfaces **54b** and **56b** to slide along outer side surfaces **88b** and **90b**. As the upper and lower major side surfaces **54b** and **56b** on the wedge member **44b** slide along the outer side surfaces **88b** and **90b** of the bones **30b** and **32b**, the wedge member applies force against the bones to expand the joint **34b** in the manner previously explained.

In accordance with a feature of this embodiment of the invention, the wedge member **44b** (FIG. 10) is hollow. Therefore, a compartment or cavity **100** is formed in the wedge member **44b**. The compartment **100** has upper and lower inner side surfaces **102** and **104** which are smaller than the upper and lower major side surfaces **54b** and **56b** of the wedge member **44b**. However, the inner side surfaces **102** and **104** of the compartment **100** have the same general configuration as the upper and lower major side surfaces **54b** and **56b** of the wedge member **44b**.

The compartment **100** is filled with bone growth inducing material **110**. The bone growth inducing material **110** is positioned in the compartment **100** through a suitable opening (not shown) formed in either the upper major side surface **54b** or the lower major side surface **56b** of the wedge member **44b**. Once the compartment **100** has been filled with bone growth inducing material **110**, the opening to the compartment is closed. However, the wedge member **44b** is formed of a porous material which enables bone to grow through the wedge member.

The growth of bone through the wedge member **44b** is promoted by the bone growth inducing material **110** in the compartment **100**. The bone growth inducing material **110** in the compartment **100** may be any of many known bone morphogenic proteins and osteoinductive materials. For example, apatite compositions with collagen may be utilized. Demineralized bone powder may also be utilized. Regardless of which of the known bone growth inducing materials are selected, the presence of the bone growth promoting material **110** in the compartment **100** will promote a growth of bone through openings in the porous wedge member **44b**.

The wedge member **44b** may, itself, be formed of a suitable rigid material, such as tantalum, stainless steel, or ceramic materials. In addition to the bone growth inducing material **110**, the surfaces of the wedge member **44b** and openings in the porous material of the wedge member may be coated with suitable bone growth promoting materials.

The wedge member **44b** is porous so that bone can grow through the wedge member. In the embodiment of the invention illustrated in FIG. 10, the wedge member is formed of an open cell material having a construction similar to coral. The open cell material provides irregular passages which extend through the wedge member **44b** and enable the bone to grow through the wedge member. However, it should be understood that the wedge member **44b** could be formed of a solid material with passages drilled or cast in the wedge member. Regardless of which of the materials the wedge member is formed, it is believed that it will be advantageous to have the material be sufficiently rigid to enable the joint **44b** to be load bearing immediately after an operation installing the wedge member in the joint.

#### Single Connection for Wedge Member

In the embodiments of the invention illustrated in FIGS. 8–10, the wedge members **44**, **44a**, and **44b** are connected

with bones on opposite sides of a joint by suitable fasteners (screws). In the embodiment of the invention illustrated in FIG. 11, the wedge member is connected with only one of the bones. Since the embodiment of the invention illustrated in FIG. 11 is generally similar to the embodiments of the invention illustrated in FIGS. 1–10, similar numerals will be utilized to designate similar components, the suffix letter “c” being associated with the numerals of FIG. 11 to avoid confusion.

A wedge member **44c** is inserted into a joint **34c** between upper and lower bones **30c** and **32c**. The wedge member **44c** has the same general configuration and construction as the wedge member **44** of FIGS. 5–8. However, the wedge member **44c** is connected with only one of the bones **30c** and **32c**. Thus, rather than utilizing a pair of fasteners to secure the wedge member **44c** to the upper and lower bones **30c** and **32c**, only a single fastener **70c** is utilized to connect the wedge member **44c** with the upper bone **30c**. Therefore, installation of the wedge member **44c** in the joint **34c** does not result in immobilization of the joint.

Since the wedge member **44c** is connected with the bone **30c** by the fastener **70c**, the bone **32c** may be moved away from the wedge member during flexing of the joint **34c**. This may result in the upper major side surface **54c** on the wedge member **44c** remaining in engagement with the outer side surface **88c** on the bone **30c** while the outer side surface **90c** on the bone **32c** moves away from the lower major side surface **56c** on the wedge member **44c**. Of course, a single fastener **70c** may be utilized to hold the wedge member in the joint **34c** where the outer side surfaces **88c** and **90c** on the upper and lower bones **30c** and **32c** remain in engagement with the upper and lower major side surfaces **54c** and **56c** of the wedge member **44c**.

In the embodiment of the wedge member **44c** illustrated in FIG. 11, the wedge member is formed of a solid material through which bone does not grow. However, it is contemplated that a single fastener, corresponding to the fastener **70c** of FIG. 11, may be used to connect a porous wedge member with a bone. Of course, bone may grow through the porous wedge member. The porous wedge member may have the same construction as shown in FIGS. 9 and 10, with the exception of being held in place by only a single fastener **70c**.

#### Rotatable Wedge Member

In the embodiment of the invention illustrated in FIGS. 1–11, the wedge member **44** is moved into the joint **34** between the upper and lower bones **30** and **32** along a linear path. The wedge member **44** is moved into the joint **34** with the thin end portion **52** of the wedge member leading and the thick end portion **50** of the wedge member trailing. The tapered configuration of the wedge member results in the application of force against the upper and lower bones **30** and **32** to expand the joint **34** in the manner previously explained.

In the embodiment of the invention illustrated in FIGS. 12–16, the wedge member is moved into the joint between the upper and lower bones and then rotated. During initial movement of the wedge member into the joint between the bones, there may be some expansion of the joint. During rotation of the wedge member in the joint, there is further expansion of the joint. Since the embodiment of the invention illustrated in FIGS. 12–15 is generally similar to the embodiments of the invention illustrated in FIGS. 1–11, similar numerals will be utilized to designate similar components, the suffix letter “d” being associated with the numerals of FIG. 12–15 to avoid confusion.



Upper and lower bones **30d** and **32d** are interconnected at a joint **34d** (FIG. 12). Prior to insertion of a wedge member **44d**, the upper and lower bones **30d** and **32d** are in the same spatial orientation relative to each other as is illustrated in FIG. 1. Upon insertion of the wedge member **44d** into the joint **34d**, in the manner illustrated in FIG. 12, there may be a slight expansion of the joint **34d** and a slight change in the orientation of the upper bone **30d** relative to the lower bone **32d**. There is a relatively small change in the spatial relationship between the upper bone **30d** and the lower bone **32d** because the wedge member **44d** is inserted into the joint **34d** in an orientation in which the wedge member **44d** is relatively thin as viewed in FIG. 12, that is, in a direction transverse to the joint **34d**.

After the wedge member **44d** has been inserted into the joint **34d** in the manner indicated schematically in FIG. 12, the wedge member **44d** is rotated, through less than one revolution, about an axis **120** in the manner indicated schematically by an arrow **122** in FIG. 13. As the wedge member **44d** is rotated through approximately ninety degrees about the axis **120**, the wedge member applies force against the upper and lower bones **30d** and **32d** to expand the joint **34d**. As the joint **34d** is expanded by rotation of the wedge member **44d**, the spatial relationship between the upper and lower bones **30d** and **32d** changes from the spatial relationship illustrated schematically in FIG. 12 to the spatial relationship illustrated schematically in FIG. 13. Thus, by the combined effect of insertion of the wedge member **44d** into the joint **34d** and rotation of the wedge member in the joint, the spatial relationship of the upper and lower bones **30d** and **32d** was changed from the spatial relationship illustrated in FIG. 1 for the bones **30** and **32** to the spatial relationship illustrated in FIG. 13 for the upper and lower bones **30d** and **32d**.

The bones **30d** and **32d** illustrated schematically in FIGS. 12 and 13 should be considered as being representative of bones at many different locations in a patient's body. Thus, the bones **30d** and **32d** may be any of the many bones in a patient's wrist, ankle, hand, foot, back, or other portion of a patient's body. The bones **30d** and **32d** may be vertebrae in a patient's back. It should be understood that the wedge member **44d** may be used with any one of the many different types of joints in a patient's body.

The wedge member **44d** has a generally oval, cross-sectional configuration (FIGS. 14 and 15), as viewed in a plane perpendicular to a longitudinal central axis of the wedge member. Thus, the wedge member **44d** has an outer side surface **126** (FIG. 14) with a pair of arcuate nose portions **128** and **130**. The arcuate nose portions **128** and **130** of the outer side surface **126** are interconnected by a pair of arcuate side portions **134** and **136**.

The arcuate outer side surface **126** tapers from a thick end portion **50d** (FIG. 16) to a thin end portion **52d**. In the illustrated embodiment of the wedge member **44d**, the thin end portion **52d** is blunt or truncated. Thus, the thin end portion **52d** of the wedge member **44d** does not come to a sharp point as does the thin end portions of the wedge members **44**, **44a**, **44b** and **44c**.

It should be understood that the wedge members **44a**, **44b** and **44c** (FIGS. 5-11) could be constructed with a blunt thin end portion corresponding to the blunt thin end portion **52d** (FIG. 16) on the wedge member **44d** if desired. However, it is believed that by having the thin end portion of the wedge members of FIGS. 5-11 taper to a sharp point, insertion of the wedge members into a joint is facilitated. Similarly, if desired, the wedge member **44d** could be provided with a

thin end portion **52d** (FIG. 16) which comes to a sharp point in the same manner as the wedge members **44**, **44a**, **44b** and **44c**.

When the wedge member **44d** is inserted into the joint **34d** (FIG. 14), the arcuate side portion **134** engages the outer side surface **88d** of the upper bone **30d** and the arcuate side portion **136** engages the outer side surface **90d** of the lower bone **32d**. The arcuate side portions **134** and **136** are relatively close together so that minimal expansion of the joint **34d** occurs when the wedge member **44d** is inserted into the joint. As the wedge member **44d** is inserted into the joint **34d**, the arcuate side portions **134** and **136** slide along and are effective to apply force against the outer side surfaces **88d** and **90d** of the upper and lower bones **30d** and **32d** to effect some expansion of the joint **34d**. The outer side surfaces **88d** and **90d** of the bones **30d** and **32d** are in their naturally occurring conditions.

After the wedge member **44d** has been inserted into the joint **34d**, in the manner shown in FIGS. 12 and 14, a suitable tool is inserted into a hexagonal socket **140** (FIG. 14) in the wedge member **44d**. Torque is transmitted from the tool to the wedge member **44d** to rotate the wedge member through less than one revolution in the direction indicated by the arrow **122** in FIGS. 13 and 15. This results in the wedge member **44d** being rotated through approximately ninety degrees in a clockwise direction from the position shown in FIG. 14 to the position shown in FIG. 15. As the wedge member **44d** is rotated, the wedge member applies force against the upper and lower bones **30d** and **32d** and expands the joint **34d**.

Upon initiation of rotation of the wedge member **44d** from the position shown in FIG. 14 toward the position shown in FIG. 15, the arcuate side portions **134** and **136** slide along the outer side surfaces **88d** and **90d** on the bones. As the rotation of the wedge member **44d** continues, the arcuate nose portions **128** and **130** of the wedge member **44d** approach the outer side surfaces **88d** and **90d** of the upper and lower bones **30d** and **32d**. As this is occurring, the joint **34d** is expanded by the force applied against the upper and lower bones **30d** and **32d** by the wedge member **44d**. When the wedge member **44d** reaches the position shown in FIG. 15, the arcuate nose portions **128** and **130** engage the outer side surfaces **88d** and **90d** on the upper and lower bones **30d** and **32d** to hold the joint **34d** in the expanded condition illustrated in FIGS. 15 and 16.

A pair of mounting tabs **144** and **146** (FIG. 16) are integrally formed with the wedge member **44d**. The mounting tabs **144** and **146** project outwardly from the end portion **50d** of the wedge member **44d**. The mounting tabs **144** and **146** are aligned with the arcuate nose portions **128** and **130** of the outer side surface **126** on the wedge member **44d**. Therefore, the mounting tabs **144** and **146** are disposed adjacent to the bones **30d** and **32d** in the manner illustrated schematically in FIG. 16.

A pair of retaining screws **70d** and **72d** extend through the mounting tabs **144** and **146** into the outer layers **76d** and **78d** of hard cancellous bone on the upper and lower bones **30d** and **32d**. The mounting screws or fasteners **70d** and **72d** are effective to hold the wedge member **44d** against rotation relative to the upper and lower bones **30d** and **32d**. Bone growth promoting material and/or bone chips may be packed in the joint **34d** around the wedge member **44d**. The wedge member **44d** is rigid and can transmit force between the bones **30d** and **32d** as soon as it is rotated to the position shown in FIGS. 15 and 16.

As is perhaps best seen in FIG. 15, the wedge member **44d** is narrower than the distance across the joint **34d**. Therefore,

a plurality of wedge members **44d** may be utilized to hold the joint **34d** in the expanded condition of FIGS. **15** and **16**. The plurality of wedge members **44d** could be positioned in the joint **34d** with their rotational axes **120** (FIG. **16**) in a parallel relationship or with their rotational axes **120** skewed relative to each other. If a plurality of wedge members **44d** are utilized, they could be of different sizes or have different angles of taper along the axis **120**.

It should be understood that the wedge members **44**, **44a**, **44b** and **44c** of FIGS. **5–11** could also be relatively narrow. A plurality of wedge members of FIGS. **5–11** could be positioned in a joint with their longitudinal axes either parallel or skewed relative to each other.

#### Porous Rotatable Wedge Member

In the embodiment of the invention illustrated in FIGS. **12–16**, the wedge member **44d** is formed as a solid body of rigid material, such as stainless steel. The wedge member in the embodiment of the invention illustrated in FIG. **17** is formed of a rigid porous material. Since the embodiment of the invention illustrated in FIG. **17** is generally similar to the embodiments of the invention illustrated in FIGS. **1–16**, similar numerals will be utilized to designate similar components, the suffix letter “e” being associated with the numerals of FIG. **17** to avoid confusion.

The wedge member **44e** is disposed in a joint **34e** between upper and lower bones **30e** and **32e**. The wedge member **44e** applies force against the outer side surfaces **88e** and **90e** of the upper and lower bones **30e** and **32e** to expand the joint **34e** and change the orientation of the upper and lower bones relative to each other. In the embodiment of the invention illustrated in FIG. **17**, the wedge member **44e** tapers from a thick end portion **50e** to a thin end portion **52e**. In the illustrated embodiment of the invention, the thin end portion **52e** of the wedge member **44e** has a pointed configuration rather than the blunt configuration of the wedge member **44d** of FIG. **16**. However, the wedge member **44e** could have the same configuration as the wedge member **44d** if desired.

The wedge member **44e** (FIG. **17**) has an oval cross sectional configuration, as viewed on a plane extending perpendicular to a central axis **120e** of the wedge member **44e**. Thus, the wedge member **44e** has an outer side surface **126e** with arcuate nose portions **128e** and **130e**. The arcuate nose portions **128e** and **130e** are interconnected by arcuate side portions corresponding to the arcuate side portions **134** and **136** of the wedge member **44d** (FIGS. **14** and **15**). A socket **140e** (FIG. **17**) is provided in the wedge member **44e** to facilitate the application of torque to the wedge member.

In accordance with a feature of the embodiment of the invention illustrated in FIG. **17**, the wedge member **44e** is formed of a rigid porous material having an open cell construction. The porous open cell construction of the wedge member **44e** enables bone to grow through the wedge member. The wedge member **44e** may have an open cell construction similar to the construction of coral.

The wedge member **44e** may be coated with bone growth promoting materials to promote the growth of bone through the wedge member. The open cells in the porous wedge member **44e** could be at least partially filled with the bone growth promoting material. In addition, bone growth materials and/or bone chips may be packed in the joint **34e** around the wedge member **44e**. The bone growth promoting materials may include bone morphogenic proteins and/or other osteoinductive materials.

A pair of fasteners **70e** and **72e** are provided to connect the wedge member **44e** with the upper and lower bones **30e**

and **32e**. Thus, the fasteners **70e** extends into the outer layer **76e** of hard cortical bone on the upper bone **30e**. Similarly, the fastener **72e** extends into the outer layer **78e** of hard cortical bone on the lower bone **32e**. In the illustrated embodiment of the invention, the fasteners **70e** and **72e** extend through passages in the wedge member **44e** into the upper and lower bones **30e** and **32e**. However, if desired, the wedge member **44e** could be provided with mounting tabs, similar to the mounting tabs **144** and **146** of FIG. **16**.

When the wedge member **44e** is to be used to change the spatial relationship between the upper and lower bones **30e** and **32e**, the wedge member is inserted into the joint **34e** with the arcuate nose portions **128e** and **130e** of the wedge member spaced from the outer side surfaces **88e** and **90e** on the upper and lower bones **30e** and **32e**. At this time, the wedge member **44e** is in the same orientation as is illustrated in FIG. **14** for the wedge member **44d**. Arcuate side portions of the arcuate outer side surface **126e** on the wedge member **44e** engage the outer side surfaces **88e** and **90e** on the upper and lower bones **30e** and **32e** in the same manner as is illustrated for the wedge member **44d** in FIG. **14**.

Although inserting the wedge member **44e** into the joint **32e** may effect an initial, relatively small expansion of the joint, the majority of the expansion of the joint **34e** is obtained by rotating the wedge member **44e** about its central axis **120e**. To rotate the wedge member **44e** about its central axis **120e**, a suitable tool is inserted into the socket **140e**. Force is transmitted from the tool to the wedge member **44e** to rotate the wedge member. As the wedge member is rotated relative to the upper and lower bones **30e** and **32e**, the wedge member further expands the joint **34e** and effects further change in the spatial relationship between the upper and lower bones **30e** and **32e**.

Once the wedge member **44e** has been moved to the position illustrated in FIG. **17**, that is, to a position corresponding to the position of the wedge member **44d** in FIG. **15**, the wedge member is connected to the upper and lower bones **30e** and **32e**. To connect the wedge member with the upper and lower bones **30e** and **32e**, the screws **70e** and **72e** are inserted through passages in the wedge member into the bone. Bone growth promoting material and/or bone chips may be packed in the joint **34e** around the wedge member **44e**.

Although a single wedge member **44e** is utilized to expand the joint **34e**, a plurality of wedge members could be utilized if desired. When a plurality of wedge members **34e** are held to expand the joint **34e**, the wedge members may all be of the same size and configuration or may have different sizes and configurations.

#### Rotatable Wedge—Member Alternative Embodiment

The wedge members **44d** and **44e** are rotated about their central axes **120d** and **120e** (FIGS. **16** and **17**) to effect expansion of the joints **34d** and **34e**. In the embodiment of the invention illustrated in FIGS. **18** through **20**, the wedge member is rotated about a location where the wedge member engages one of the bones. Since the embodiment of the invention illustrated in FIGS. **18–20** is generally similar to the embodiments of the invention illustrated in FIGS. **1–17**, similar numerals will be utilized to designate similar components, the suffix letter “f” being associated with the numerals of FIGS. **18–20** to avoid confusion.

Upper and lower bones **30f** and **32f** are interconnected at a joint **34f**. A wedge member **44f** is illustrated inserted into the joint **34f** between the upper and lower bones **30f** and **32f**.

The wedge member 44f is positioned in the joint 34f (FIG. 18) with a relatively narrow width of the wedge member between outer side surfaces 88f and 90f on hard cortical outer layers 76f and 78f of the upper and lower bones 30f and 32f. Although the outer side surfaces 88f and 90f of the upper and lower bones 30f and 32f are in their naturally occurring conditions, it is contemplated that a surgeon may want to prepare the surfaces of the bone for the wedge member 44f by cutting away extraneous material to promote seating of the wedge member 44f on the upper and lower bones 30f and 32f.

The wedge member 44f has an arcuate nose portion 128f and a pivot end portion 150f. The nose portion 128f and pivot end portion 150f are interconnected by side portions 134f and 136f. The side portion 134f has a continuously curving arcuate configuration. The side portion 136f may have a linear configuration.

The side portion 136f has a relatively flat area which engages the outer side surface 90f on the lower bone 32f when the wedge member 44f is oriented as illustrated in FIG. 18. If desired, the side portion 136f could have an arcuate configuration corresponding to the arcuate configuration of the side portion 134f. If the side portion 136f had the same configuration as the side portion 134f, the wedge member 44f would have a symmetrical configuration about an axis extending through the relatively sharply defined pivot end portion 150c.

The wedge member 44f has the same size and configuration throughout its length. Thus, the end portion 50f of the wedge member is the same size as the end portion 52f (FIG. 20). However, if desired, the wedge member 44f could taper from a relatively thick end portion 50f to a relatively thin or small end portion 52f in the manner illustrated in FIGS. 16 and 17 for the wedge members 44d and 44e. It should be understood that any one of the wedge members illustrated in FIGS. 1 through 17 could be formed with the same configuration as the wedge member 44f if desired. However, it is believed that in most instances it will probably be preferred to provide the wedge members of FIGS. 1–17 with an axially tapered configuration to facilitate insertion of the wedge members into the joint between the upper and lower bones.

The wedge member 44f (FIGS. 18, 19 and 20) is formed of a rigid porous open cell material. The rigid porous open cell material of the wedge member 44f has a construction generally similar to coral. However, the wedge member 44f could be formed of a nonporous material if desired.

It is contemplated that the wedge member 44f, like the wedge members illustrated in FIGS. 1–17, may be formed of human or animal bone, metal, ceramic, or a polymeric material. While it may be preferred to form the wedge member 44f of a porous material to enable bone to grow through the wedge member, the wedge member 44f may be formed of a solid material through which bone can not grow.

The wedge member 44f may be coated with or packed with bone growth promoting materials. The bone growth promoting materials may be bone morphogenic proteins and/or other osteoinductive materials. Bone chips may be included with the bone morphogenic proteins and/or other osteoinductive materials packed around the wedge member 44f.

Of course, the wedge member 44f may be provided with a tapered configuration to facilitate insertion into the joint 34f. When the wedge member 44f is to be utilized to change the spatial relationship between the upper and lower bones 30f and 32f, the wedge member is inserted into the joint 34f.

The illustrated embodiment of the wedge member 44f has the same size and configuration throughout its length. Therefore, the wedge member 44f does not taper to a thin end portion to facilitate insertion of the wedge member into the joint 34f. Therefore, the joint 34f may be initially expanded with a suitable tool to enable the wedge member 44f to be inserted into the joint, in the orientation illustrated in FIG. 18.

When the wedge member 44f is inserted into the joint 34f, there will be a slight initial expansion of the joint. As was previously mentioned, the wedge member 44f may have an axially tapered configuration, similar to the configuration of the wedge members 44d and 44e (FIGS. 16 and 17), to facilitate insertion of the wedge member 44f into the joint 34f.

As the wedge member 44f is initially inserted into the joint 34f, the side portions 134f and 136f on the wedge member 44f slide along the outer side surfaces 88f and 90f on the upper and lower bones 30f and 32f. At this time, the arcuate nose portion 128f of the wedge member 44f is spaced from the outer side surface surfaces 88f and 90f of the upper and lower bones 30f and 32f.

To further change the spatial relationship between the upper and lower bones 30f and 32f, the wedge member 44f is rotated about an axis extending through a location where the pivot end portion 150f of the wedge member 44f engages the outer side surface 90f of the lower bone 32f. To effect rotation of the wedge member 44f, a suitable tool is inserted into a socket 140f. Force is transmitted through the tool to the wedge member 44f urging the wedge member 44f to rotate in a clockwise direction from the position shown in FIG. 18 to the position shown in FIG. 19.

Upon initial application of the force to the wedge member 44f urging the wedge member to rotate in a clockwise direction (as viewed in FIG. 18), the pivot end portion 150f of the wedge member 44f is pressed against the outer side surface 90f of the lower bone 32f. At the same time, the side portion 134f of the wedge member 44f begins to slide along the outer side surface 88f on the upper bone 30f.

Continued application of force (torque) to the wedge member 44f results in the wedge member pivoting about an axis which extends through a location where the end portion 150f of the wedge member 44f engages the outer side surface 90f on the lower bone 32f. As the wedge member 44f pivots about the end portion 150f, the arcuate nose portion 128f moves into engagement with and slides along the outer side surface 88f on the upper bone 30f. As the wedge member 44f approaches the orientation shown in FIG. 19, the joint 34f is expanded and the spatial relationship between the upper and lower bones 30f and 32f is changed with a resulting change in the angular orientation of the upper and lower bones relative to each other.

When the wedge member 44f reaches the orientation shown in FIG. 19, the joint 34f has been expanded to the maximum extent possible by the wedge member. The wedge member 44f is then connected with the upper and lower bones 30f and 32f by suitable fasteners. The fasteners may extend through mounting tabs, similar to the mounting tabs 144 and 146 illustrated in FIG. 16 or the fasteners may extend through the wedge member in the manner illustrated schematically in FIG. 17. Of course, the wedge member 44f could be held in the upright (as viewed in FIG. 19) orientation in any one of many different manners by a suitable fastener arrangement.

Although only a single wedge member 44f has been shown in FIGS. 18–20, a plurality of the wedge members 44f

could be used to expand the joint **34f** and to transmit force between the bones **30f** and **32f**. Whether a single wedge member **44f** or a plurality of wedge members **44f** are used to expand the joint, the joint may be packed with bone growth promoting material.

#### Screw Type Wedge Member

In the embodiment of the invention illustrated in FIGS. **12–16**, the wedge member **44d** has a relatively smooth outer side surface **126**. In the embodiment of the invention illustrated in FIGS. **21** and **22**, the wedge member has a configuration similar to the configuration of a screw and has an irregular outer side surface. Since the embodiment of the invention illustrated in FIGS. **21** and **22** is generally similar to the embodiments of the invention illustrated in FIGS. **12–20**, similar numerals will be utilized to designate similar components, the suffix letter “g” being associated with the numerals of FIGS. **21** and **22** to avoid confusion.

An upper bone **30g** is connected with a lower bone **32g** in a patient’s body at a joint **34g**. It should be understood that the joint **34g** has been illustrated schematically in FIG. **21** and may be any joint in a patient’s body. A rigid wedge member **44g** is utilized to change the spatial relationship between the upper and lower bones **30g** and **32g**. The wedge member **44g** is effective to expand at least a portion of the joint **34g** when the wedge member **44g** is inserted into the joint **34g**.

The wedge member **44g** has a thick end portion **50g** and a thin end portion **52g**. The wedge member **44g** has an overall conical configuration. An external thread convolution **160** is formed on the wedge member **44g**. The external thread convolution **160** has a spiral configuration and extends from the thick end portion **50g** to the thin end portion **52g** of the wedge member **44g**.

Although the external thread convolution **160** could have many different configurations, the illustrated thread convolution has generally V-shaped crests and roots. The general configuration of the external thread convolution **160** is an American National Form Screw Thread and has a pitch cone with an angle of between five degrees and twenty degrees. Although one specific external thread convolution has been illustrated and described herein, it should be understood that the external thread convolution **160** could have a configuration of any one of many different known thread convolutions. It is believed that it may be desired to use known bone screw thread configurations for the configuration of the external thread convolution **160**.

The rigid wedge member **44g** may be formed of metal, ceramic, human or animal bone, or suitable polymeric materials. It is believed that it will be desirable to form the wedge member **44g** of a material which is sufficiently rigid to withstand the forces transmitted between the upper and lower bones **30g** and **32g**. If desired, the wedge member **44g** may be formed of a porous material having openings through which bone may grow. It is believed that it may be desired to coat the wedge member **44g** with a bone growth promoting material.

When the wedge member **44g** is to be utilized to change the spatial relationship between the upper and lower bones **30g** and **32g**, the thin end portion **52g** of the wedge member **44g** is pressed into the joint **34g** between the upper and lower bones **30g** and **32g**. The wedge member **44g** is then rotated about its longitudinal central axis **120g**. A hexagonal recess **140g** is provided in the wedge member **44g** to facilitate the transmission of force from a suitable tool to the wedge member **44g**.

As the wedge member **44g** is rotated through a plurality of revolutions about its longitudinal central axis **120g**, the external thread convolution **160g** engages the upper and lower bones **30g** and **32g**. As the wedge member **44g** is rotated about its longitudinal central **120g**, the external thread convolution **160** engages the upper and lower bones **30g** and **32g** and pulls the wedge member into the joint **34g**. As this occurs, the joint **34g** is expanded and the spatial relationship between the upper and lower bones **30g** and **32g** is changed.

Once the wedge member **44g** has moved into the joint **34g** and the spatial relationship between the upper and lower bones **30g** and **32g** has been changed, the joint **34g** may be packed with bone growth promoting materials and/or bone chips. It is contemplated that various known bone morphogenic proteins may be used with other osteoinductive materials to induce bone growth in the joint **34g**. Although only a single wedge member **44g** is illustrated in FIG. **21**, a plurality of wedge members may be used if desired.

#### Bone Fitting Wedge Member

In the embodiments of the invention illustrated in FIGS. **1–11**, the wedge members have flat upper and lower major side surfaces **54** and **56** (FIG. **6**). In the embodiment of the invention illustrated in FIGS. **23** and **24**, the wedge member has nonlinear side surfaces which have been shaped to correspond to the configuration of end portions of the bone at a joint between the bones. Since the embodiment of the invention illustrated in FIGS. **23** and **24** is generally similar to the embodiments of the invention illustrated in FIGS. **1–11**, similar numerals will be utilized to designate similar components, the suffix letter “h” being associated with the numerals of FIG. **9** to avoid confusion.

Upper and lower bones **30h** and **32h** are interconnected at a joint **34h**. The joint **34h** is a schematic representation of any one of many joints in a patient’s body. The joint **34h** may be in a patient’s wrist, ankle, hand, foot, back, or other portion of the patient’s body.

When the spatial relationship between the upper and lower bones **30h** and **32h** is to be changed, a wedge member **44h** is moved into the joint **34h**. The wedge member **44h** is moved into the joint with a thick end portion **50h** of the wedge member trailing and a thin end portion **52h** of the wedge member leading. As the wedge member **44h** is pressed into the joint **34h**, upper and lower major side surfaces **54h** and **56h** are pressed against outer side surfaces **88h** and **90h** on the upper and lower bones **30h** and **32h**. This results in expansion of the joint **34h** in the manner previously described in conjunction with the embodiments of the invention illustrated in FIGS. **1–11**.

In accordance with a feature of this embodiment of the invention, the upper and lower major side surfaces **54h** and **56h** on the wedge member **44h** are configured to match the configuration of the outer side surfaces **88h** and **90h** on the upper and lower bones **30h** and **32h**, in the manner illustrated schematically in FIG. **24**. By having the upper and lower major side surfaces **54h** and **56h** configured to match the configuration of the outer side surfaces **88h** and **90h** on the upper and lower bones **30h** and **32h**, the wedge member **44h** is firmly seated against the bone and held against sidewise (as viewed in FIG. **24**) movement relative to the bones. The arcuate configuration of the upper and lower major side surfaces **54h** and **56h** on the wedge member **44h** extends from the thick end **50h** of the wedge member **44h** to the thin end **52h** of the wedge member.

In the embodiment of the invention illustrated in FIG. **24**, the wedge member **44h** is formed of a rigid porous material

having an open cell construction. A compartment or cavity **100h** in the wedge member **44h** holds bone growth inducing materials **110h**. The bone growth inducing materials **110h** may include bone morphogenic proteins and other osteoinductive materials. The joint **34h** may be packed with bone growth promoting materials and/or bone chips.

The wedge member **44h** is fixedly connected to the upper and lower bones **30h** and **32h** by suitable fasteners (not shown). The wedge member **44h** may be connected with the upper and lower bones **30h** and **32h** by screws corresponding to the screws **70** and **72** of FIG. 8. Alternatively, the wedge member **44h** may be connected with the upper and lower bone **30h** and **32h** by screws which extends through mounting tabs, corresponding to the mounting tabs **144** and **146** of FIG. 16. If desired, the wedge member **44h** may be connected with only the upper bone **30h** or only the lower bone **32h**.

It is believed that by having the side surfaces **54h** and **56h** configured to correspond to the configuration of the surfaces **88h** and **090h** on the bones **30h** and **32h**, the joint **34h** will be particularly stable when the joint has been immobilized by connecting the wedge member **44h** to the bones. Although only a single wedge member **34h** has been illustrated in FIGS. 22 and 24, a plurality of wedge members could be used to expand the joint. It is believed that the wedge member **44h** may be particularly advantageous when vertebrae in a patient's back are to be interconnected.

#### Conclusion

In view of the foregoing description it is apparent that a new and improved method and apparatus is provided to change a spatial relationship between bones **30** and **32** which are interconnected at a joint **34** in a patient's body. When this is to be done, an opening is formed in a portion of the patient's body to expose the joint **34** interconnecting the bones **30** and **32**. One of the bones **30** and **32** is moved relative to the other by expanding at least a portion of the joint **34** with a wedge member **44**. The wedge member **44** is moved into the joint and applies force against the bones **30** and **32**. The opening is closed with the wedge member **44** still disposed in the joint between the bones. Force is then transmitted between the bones **30** and **32** through the wedge member **44** to maintain the joint **34** in an expanded condition.

If the joint **34** is to be flexed after being expanded by the wedge member **44**, the wedge member may be connected with only one of the bones **30** and **32**. Alternatively, if the joint **34** is to be immobilized (fused) after inserting the wedge member **44**, the wedge member may be fixedly connected with the bones **30** and **32** interconnected at the joint. The wedge member **44** may be porous and may be coated with and/or contain bone growth promoting material.

One embodiment of the wedge member **44** has major side surfaces **54** and **56** extending between thick and thin end portions **50** and **52** of the wedge member. The wedge member **44** is moved into the joint **34** with the thin edge portion **52** leading. As the wedge member **44** is moved into the joint **34**, the thick trailing end portion **50** of the wedge member expands the joint.

In another embodiment of the invention, the wedge member **44d**, **44e**, **44f**, or **44g** may be rotated relative to the joint. In one embodiment of the invention, the wedge member **44g** has a circular cross sectional configuration and has an external thread convolution **160** which extends from a thin leading end **52g** of the wedge member to a thick trailing end **50g** of the wedge member. The wedge member **44g** is

pressed into the joint **34g** and rotated to cause the wedge member to expand the joint.

In another embodiment of the invention, the wedge member **44d**, **44e** or **44f** has surface areas **134** and **136** which are relatively close together and other surface areas **128** and **130** which are relatively far apart. The wedge member **44d**, **44e**, or **44f** is moved into the joint **34** with the surface areas **134** and **136** which are close together engaging the adjacent bones **30** and **32**. The wedge member **44d**, **44e** or **44f** is then rotated to apply force against the adjacent bones to expand the joint. The wedge member **44d** or **44e** may be rotated about its central axis **120** to apply forced against the bones **30** and **32** and expand the joint. Alternatively, the wedge member **44f** may be rotated about a location where the wedge member engages one of the bones.

Regardless of which embodiment of the wedge members **44**, **44a**, **44b**, **44c**, **44d**, **44e**, **44f**, **44g** or **44h** is selected, the wedge member may be used with any one of the many different bones and joints in a patient's body. The wedge member may be utilized at joints in a patient's wrist, ankle, hand, foot, back, or other portions of the patient's body. The use of the wedge member may be particularly advantageous when a joint between vertebrae in a patient's back is to be immobilized. One or more wedge members may be used to expand a joint to transmit force between bones.

What is claimed is:

1. A method of changing the spatial relationship between first and second bones which are interconnected at a joint in a patient's body, said method comprising the steps of moving the second bone from a first orientation to a second orientation relative to the first bone, said step of moving the second bone from a first orientation to a second orientation includes moving a wedge member into the joint between the first and second bones and transmitting force from the wedge member to the second bone to move the second bone relative to the first bone, thereafter, connecting the wedge member to the first bone, and moving the second bone relative to the wedge member and the first bone under the influence of force transmitted from muscular body tissue in the body of the patient to the second bone to thereby change the orientation of the second bone relative to the first bone from the second orientation to a third orientation.

2. A method as set forth in claim 1 wherein said steps of moving a wedge member into the joint between the first and second bones and transmitting force from the wedge member to the second bone to move the second bone relative to the first bone includes expanding at least a portion of the joint by applying force against the first and second bones with the wedge member.

3. A method as set forth in claim 1 further including the step of transmitting force between the first and second bones through the wedge member while the second bone is in the second orientation.

4. A method as set forth in claim 1 wherein said step of moving the second bone relative to the wedge member and the first bone includes moving a surface area on the second bone out of engagement with the wedge member.

5. A method as set forth in claim 1 wherein said step of moving a wedge member into the joint between the first and second bones includes moving the wedge member into the joint between the first and second bones with a thin end portion of the wedge member leading and a thick end portion of the wedge member trailing.

6. A method as set forth in claim 1 wherein said steps of moving a wedge member into the joint between the first and second bones and transmitting force from the wedge member to the second bone includes rotating the wedge member

through a plurality of revolutions about an axis which extends through the wedge member.

7. A method as set forth in claim 1 wherein said steps of moving a wedge member into the joint between the first and second bones and transmitting force from the wedge member to the second bone includes rotating the wedge member through less than one complete revolution about an axis which extends through the wedge member.

8. A method of changing a spatial relationship between first and second bones which are interconnected at a joint in a patient's body, said method comprising the steps of forming an opening in a portion of the patient's body to expose the joint interconnecting the first and second bones, moving the second bone relative to the first bone, said step of moving the second bone relative to the first bone includes expanding at least a portion of the joint interconnecting the first and second bones by applying force against the first and second bones with a wedge member and pivoting the first bone about an axis which extends through the joint interconnecting the first and second bones, closing the opening in the patient's body with at least a portion of the wedge member disposed between the first and second bones at the joint interconnecting the first and second bones, and, thereafter, transmitting force between the first and second bones through the wedge member to maintain the joint in the expanded condition.

9. A method as set forth in claim 8 wherein said step of applying force against the first and second bones with the wedge member includes sliding a first surface on the wedge member along an outer side surface on the first bone and sliding a second surface on the wedge member along an outer side surface on the second bone while moving the wedge member into the joint without rotating the wedge member relative to the joint.

10. A method as set forth in claim 8 wherein the wedge member has first and second arcuate surface areas, said step of applying force against the first and second bones with the wedge member includes rotating the wedge member about an axis which is disposed between the first and second arcuate surface areas and transmitting force to the first and second bones from the first and second arcuate surface areas during rotation of the wedge member about the axis disposed between the first and second arcuate surface areas.

11. A method as set forth in claim 10 wherein said step of rotating the wedge member includes rotating the wedge member through a distance which is less than one complete revolution about the axis disposed between the first and second arcuate surface areas.

12. A method as set forth in claim 11 wherein the wedge member tapers from a thick portion to a thin portion in a direction along the axis about which the wedge member is rotated, said step of expanding the joint interconnecting the first and second bones includes expanding a portion of the joint adjacent to the thick portion of the wedge member to a greater extent than a portion of the joint adjacent to the thin portion of the wedge member.

13. A method as set forth in claim 8 wherein the wedge member has first and second surface areas each of which is spaced a first distance from a central axis of said wedge member and third and fourth surface areas each of which is spaced a second distance from a central axis of said wedge member, said second distance being greater than said first distance, said step of moving the second bone relative to the first bone includes positioning the wedge member between the first and second bones with the first surface area on the wedge member in engagement with a first surface area on the first bone and the second surface area on the wedge

member in engagement with a first surface area on the second bone, said step of expanding the joint includes rotating the wedge member about its central axis and moving the third surface area on the wedge member into engagement with the first surface area on the first bone and moving the fourth surface area on the wedge member into engagement with the first surface area on the second bone.

14. A method as set forth in claim 8 wherein said wedge member has first and second surface areas which are spaced a first distance apart, said wedge member has third and fourth surface areas which are spaced a second distance apart, said second distance being greater than said first distance, said step of moving the second bone relative to the first bone includes positioning the wedge member between the first and second bones and rotating the wedge member from a first position in which the first and second surface areas are adjacent to surfaces on the first and second bones to a second position in which the third and fourth surface areas are adjacent to the surfaces on the first and second bones.

15. A method as set forth in claim 8 wherein said wedge member has a corner portion and an arcuate side surface which is spaced from said corner portion, said step of moving the second bone relative to the first bone includes pivoting the wedge member about an axis which is disposed adjacent to the corner portion of said wedge member.

16. A method as set forth in claim 15 wherein said step of pivoting the wedge member includes engaging the first bone with the corner portion of the wedge member and sliding the arcuate side surface of the wedge member along an outer side surface on the second bone.

17. A method as set forth in claim 8 wherein the wedge member has surfaces which define a plurality of openings extending through said wedge member, said method further includes growing body tissue through the openings in the wedge member.

18. A method as set forth in claim 17 wherein said wedge member is hollow and contains body tissue growth promoting material, said method further includes growing body tissue through openings in said wedge member.

19. A method of changing a spatial relationship between first and second bones which are interconnected for pivotal movement about a first axis at a joint in a patient's body, said method comprising the steps of forming an opening in a portion of the patient's body to expose the joint interconnecting the first and second bones, moving the second bone relative to the first bone, said step of moving the second bone relative to the first bone includes expanding at least a portion of the joint interconnecting the first and second bones by applying force against the first and second bones with a wedge member, said step of applying force against the first and second bones with the wedge member includes moving the wedge member into the joint in a direction extending along the first axis, closing the opening in the patient's body with at least a portion of the wedge member disposed between the first and second bones at the joint interconnecting the first and second bones, and, thereafter, transmitting force between the first and second bones through the wedge member to maintain the joint in the expanded condition.

20. A method as set forth in claim 19 wherein said step of applying force against the first and second bones with the wedge member includes sliding a first surface on the wedge member along an outer side surface on the first bone and sliding a second surface on the wedge member along an outer side surface on the second bone while moving the wedge member into the joint without rotating the wedge member relative to the joint.

## 25

21. A method as set forth in claim 19 wherein said step of applying force against the first and second bones with a wedge member includes rotating the wedge member about a second axis which extends along the first axis.

22. A method as set forth in claim 19 wherein said step of moving the second bone relative to the first bone includes pivoting the second bone relative to the first bone about a second axis which extends through the joint interconnecting the first and second bones in a direction transverse to the first axis.

23. A method as set forth in claim 19 wherein said wedge member tapers from a thick end portion to a thin end portion, said thin end portion of said wedge member being disposed between ends of said first and second bones at the joint interconnecting the first and second bones and said thick end portion of said wedge member being disposed adjacent to a portion of the joint which was expanded during performance of said step of applying force against the first and second bones with a wedge member.

24. A method as set forth in claim 19 wherein said step of applying force against the first and second bones with a wedge member includes moving the wedge member into the joint in a direction extending along the first axis and rotating the wedge member about an axis which extends along the first axis after having performed said step of moving the wedge member into the joint.

25. A method as set forth in claim 19 wherein said step of applying force against the first and second bones with a wedge member includes applying force against the first and second bones with a wedge member having an extent along the first axis which is less than the extent of the joint along the first axis.

26. A method as set forth in claim 19 wherein the wedge member has first and second arcuate surface areas, said step of applying force against the first and second bones with the wedge member includes rotating the wedge member about a second axis which extends along the first axis and is disposed between the first and second arcuate surface areas and transmitting force to the first and second bones from the first and second arcuate surface areas during rotation of the wedge member about the second axis.

27. A method as set forth in claim 26 wherein said step of rotating the wedge member includes rotating the wedge member through a distance which is less than one complete revolution about the axis disposed between the first and second arcuate surface areas.

28. A method of changing a spatial relationship between first and second bones which are interconnected at a joint in a patient's body, said method comprising the steps of forming an opening in a portion of the patient's body to expose the joint interconnecting the first and second bones, moving the second bone relative to the first bone, said step of moving the second bone relative to the first bone includes expanding at least a portion of the joint interconnecting the first and second bones by applying force against the first and second bones with a wedge member having a continuously curving arcuate outer surface formed by first and second arcuate surface areas which are disposed on opposite sides of said wedge member and have a first radius of curvature and third and fourth arcuate surface areas which are disposed on opposite sides of said wedge member and have a second radius of curvature which is smaller than the first radius of curvature, each of said first and second surface areas being spaced a first distance from a central axis of said wedge member and each of said third and fourth surface areas being spaced a second distance from a central axis of said wedge member, said second distance being greater than

## 26

said first distance, said step of moving the second bone relative to the first bone includes moving the wedge member between the first and second bones while maintaining the first surface area on the wedge member adjacent to the first bone and the second surface area on the wedge member adjacent to the second bone, said step of expanding the joint includes rotating the wedge member about its central axis through less than one-half of a revolution and sliding the first and second surface areas on the wedge member toward positions disposed away from the first and second bones and sliding the third and fourth surface areas on the wedge member toward positions adjacent to the first and second bones with a sliding action during rotation of the wedge member, closing the opening in the patient's body with the third and fourth surface areas on the wedge member in the positions disposed adjacent the first and second bones and with the first and second surface areas on the wedge member in positions disposed away from the first and second bones, and, thereafter, transmitting force between the first and second bones through the wedge member to maintain the joint in the expanded condition.

29. A method of changing a spatial relationship between first and second bones which are interconnected at a joint in a patient's body, said method comprising the steps of forming an opening in a portion of the patient's body to expose the joint interconnecting the first and second bones, moving the second bone relative to the first bone without removing the tissue from between the first and second bones, said step of moving the second bone relative to the first bone includes expanding at least a portion of the joint interconnecting the first and second bones by applying force against the first and second bones with a wedge member, closing the opening in the patient's body with at least a portion of the wedge member disposed between the first and second bones at the joint interconnecting the first and second bones and with any tissue connected to the first and second bones upon initiation of said step of forming an opening in the patient's body still connected to at least one of the first and second bones, and, thereafter, transmitting force between the first and second bones through the wedge member to maintain the joint in the expanded condition.

30. A method as set forth in claim 29 wherein said step of applying force against the first and second bones with the wedge member includes sliding a first surface on the wedge member along an outer side surface on the first bone and sliding a second surface on the wedge member along an outer side surface on the second bone while moving the wedge member into the joint without rotating the wedge member relative to the joint.

31. A method as set forth in claim 29 wherein said step of applying force against the first and second bones with a wedge member includes rotating the wedge member about an axis which extends through the joint interconnecting the first and second bones while the first and second bones are disposed in engagement with each other.

32. A method as set forth in claim 29 wherein said step of moving the second bone relative to the first bone includes pivoting the second bone relative to the first bone about an axis which extends through the joint interconnecting the first and second bones.

33. A method as set forth in claim 29 wherein said wedge member tapers from a thick end portion to a thin end portion, said thin end portion of said wedge member being disposed between ends of said first and second bones adjacent to a location where said first and second bones are disposed in engagement with each other at the joint interconnecting the first and second bones and said thick end portion of said



wedge member being disposed adjacent to a portion of the joint which was expanded during performance of said step of applying force against the first and second bones with a wedge member.

34. A method as set forth in claim 29 wherein the first and second bones are interconnected for pivotal movement about a first axis at the joint interconnecting the first and second bones, said step of applying force against the first and second bones with a wedge member includes moving the wedge member into the joint in a direction extending along the first axis.

35. A method as set forth in claim 29 wherein the first and second bones are interconnected for pivotal movement about a first axis which extends through the joint interconnecting the first and second bones, said step of applying force against the first and second bones with a wedge member includes moving the wedge member into the joint in a direction extending transverse to the first axis.

36. A method as set forth in claim 29 wherein the first and second bones are interconnected for pivotal movement about a first axis which extends through the joint interconnecting the first and second bones, said step of applying force against the first and second bones with a wedge member includes applying force against the first and second bones with a wedge member having an extent along the first axis which is less than the extent of the joint along the first axis.

37. A method as set forth in claim 29 wherein the wedge member has first and second arcuate surface areas, said first arcuate surface area being spaced a first distance from a central axis of said wedge member and said second arcuate surface area being spaced a second distance from the central axis of said wedge member, said first distance being smaller than said second distance, said step of applying force against the first and second bones with the wedge member includes rotating the wedge member about its central axis and transmitting force to the first and second bones from the first and second arcuate surface areas during rotation of the wedge member about its central axis.

38. A method as set forth in claim 37 wherein said step of rotating the wedge member includes rotating the wedge member through a distance which is less than one complete revolution about the central axis of the wedge member.

39. A method as set forth in claim 38 wherein the wedge member tapers from a thick portion to a thin portion in a direction along the axis about which the wedge member is rotated, said step of expanding the joint interconnecting the first and second bones includes expanding a portion of the joint adjacent to the thick portion of the wedge member to a greater extent than a portion of the joint adjacent to the thin portion of the wedge member.

40. A method as set forth in claim 29 wherein the wedge member has first and second surface areas each of which is spaced a first distance from a central axis of said wedge member and third and fourth surface areas each of which is spaced a second distance from a central axis of said wedge member, said second distance being greater than said first distance, said step of moving the second bone relative to the first bone includes positioning the wedge member between the first and second bones with the first surface area on the wedge member in engagement with a first surface area on the first bone and the second surface area on the wedge member in engagement with a first surface area on the second bone, said step of expanding the joint includes rotating the wedge member about its central axis and moving the third surface area on the wedge member into engagement with the first surface area on the first bone and moving the fourth surface area on the wedge member into engagement with the first surface area on the second bone.

41. A method as set forth in claim 29 wherein said wedge member has first and second surface areas which are spaced a first distance apart, said wedge member has third and fourth surface areas which are spaced a second distance apart, said second distance being greater than said first distance, said step of moving the second bone relative to the first bone includes positioning the wedge member between the first and second bones and rotating the wedge member from a first position in which the first and second surface areas are adjacent to surfaces on the first and second bones to a second position in which the third and fourth surface areas are adjacent to the surfaces on the first and second bones.

42. A method as set forth in claim 29 wherein said wedge member has a corner portion and an arcuate side surface which is spaced from said corner portion, said step of moving the second bone relative to the first bone includes pivoting the wedge member about an axis which is disposed adjacent to the corner portion of said wedge member.

43. A method as set forth in claim 42 wherein said step of pivoting the wedge member includes engaging the first bone with the corner portion of the wedge member and sliding the arcuate side surface of the wedge member along an outer side surface on the second bone.

44. A method as set forth in claim 29 wherein the wedge member has surfaces which define a plurality of openings extending through said wedge member, said method further includes growing body tissue through the openings in the wedge member.

45. A method as set forth in claim 29 wherein said wedge member is hollow and contains body tissue growth promoting material, said method further includes growing body tissue through openings in said wedge member.

46. A method of changing a spatial relationship between first and second bones which are interconnected at a joint in a patient's body, said method comprising the steps of moving a wedge member into the joint between the first and second bones without rotating the wedge member and with a thin end portion of the wedge member leading and a thick end portion of the wedge member trailing, applying force against the first and second bones with the wedge member as the wedge member is moved into the joint to move the second bone from a first orientation relative to the first bone to a second orientation relative to the first bone, fixedly connecting the wedge member to at least one of the first and second bones with a fastener member, and transmitting force between the first and second bones through the wedge member while the second bone is in the second orientation relative to the first bone.

47. A method as set forth in claim 46 wherein a first surface area on said first bone is in engagement with a first surface area on said second bone when the first and second bones are in the first orientation prior to performance of said step of moving the wedge member into the joint, said step of moving the wedge member into the joint includes sliding a first surface area on the wedge member along the first surface area on the first bone and sliding a second surface area on the wedge member along the first surface area on the second bone to move the first surface area on the second bone away from the first surface area on the first bone under the influence of force applied against the first surface area on the second bone by the wedge member.

48. A method as set forth in claim 46 further including the step of maintaining the wedge member stationary relative to said one of said first and second bones during movement of another of said first and second bones relative to said one of said first and second bones after performance of said step of



fixedly connecting the wedge member to said one of said first and second bones.

49. A method as set forth in claim 46 wherein said step of moving the wedge member into the joint between the first and second bones includes moving the wedge member along a path which extends between an end portion of the first bone and an end portion of the second bone and increasing a distance between a surface area on the end portion of the first bone and a surface area on the second bone under the influence of force transmitted from the wedge member to the end portions of the first and second bones.

50. A method as set forth in claim 46 wherein said step of fixedly connecting the wedge member to at least one of the first and second bones includes fixedly connecting the wedge member to only the end portion of the first bone to enable the end portion of the second bone to move relative to the wedge member under the influence of force applied against the second bone by the patient.

51. A method of changing a spatial relationship between first and second bones which are interconnected at a joint in a patient's body, said method comprising the steps of moving a wedge member into the joint between the first and second bones to move the second bone from a first orientation relative to the first bone to a second orientation relative to the first bone under the influence of force applied against the second bone by the wedge member as the wedge member moves into the joint between the first and second bones, transmitting force between the first and second bones through the wedge member while the second bone is in the second orientation relative to the first bone, and, thereafter, moving the second bone relative to the first bone under the influence of force applied against the second bone by the patient to change the orientation of the second bone relative to the first bone from the second orientation to a third orientation.

52. A method as set forth in claim 51 wherein a first surface area on said first bone is adjacent to a first surface area on said second bone when the first and second bones are in the first orientation prior to performance of said step of moving the wedge member into the joint, said step of moving the wedge member into the joint includes sliding a first surface area on the wedge member along the first surface area on the first bone and sliding a second surface area on the wedge member along the first surface area on the second bone to move the first surface area on the second bone away from the first surface area on the first bone under the influence of force applied against the first surface area on the second bone by the wedge member.

53. A method as set forth in claim 51 further including the steps of maintaining the wedge member stationary relative to said one of said first and second bones during movement of said second bone.

54. A method as set forth in claim 51 wherein said step of moving a wedge member into a joint between the first and second bones includes rotating the wedge member about an axis which extends through the wedge member.

55. A method as set forth in claim 51 wherein said step of moving the wedge member into the joint between the first and second bones includes moving the wedge member along a path which extends between an end portion of the first bone and an end portion of the second bone without rotating the wedge member.

56. A method as set forth in claim 55 wherein said step of moving the wedge member along a path which extends between the end portions of the first and second bones includes increasing a distance between a surface area on the end portion of the first bone and a surface area on the second

bone under the influence of force transmitted from the wedge member to the end portions of the first and second bones.

57. A method as set forth in claim 51 further including the step of connecting the wedge member to only the first bone to enable the end portion of the second bone to move relative to the wedge member under the influence of force applied against the second bone by the patient.

58. A method as set forth in claim 51 wherein said step of moving a wedge member into the joint between the first and second bones is performed with a thin end portion of the wedge member leading and a thick end portion of the wedge member trailing.

59. A method as set forth in claim 51 further including the step of connecting the wedge member to at least one of the first and second bones with a fastener which extends through a portion of the wedge member.

60. A method as set forth in claim 51 wherein said step of moving the wedge member into the joint between the first and second bones includes sliding a first surface on the wedge member along an outer side surface on the first bone and sliding a second surface on the wedge member along an outer side surface on the second bone.

61. A method as set forth in claim 51 wherein said step of moving the wedge member into the joint between the first and second bones includes pivoting the second bone relative to the first bone about an axis which extends through the joint interconnecting the first and second bones.

62. A method as set forth in claim 51 wherein said wedge member tapers from a thick end portion to a thin end portion, said thin end portion of said wedge member being disposed between ends of said first and second bones adjacent to a location where said first and second bones are disposed in engagement with each other and said thick end portion of said wedge member being disposed adjacent to a portion of the joint which was expanded during performance of said step of applying force against the first and second bones with a wedge member.

63. A method as set forth in claim 51 wherein the first and second bones are interconnected for pivotal movement about a first axis at the joint interconnecting the first and second bones, said step of moving the wedge member into the joint between the first and second bones includes moving the wedge member into the joint in a direction extending along the first axis.

64. A method as set forth in claim 51 wherein the first and second bones are interconnected for pivotal movement about a first axis which extends through the joint interconnecting the first and second bones, said step of moving the wedge member into the joint between the first and second bones includes moving the wedge member into the joint in a direction extending transverse to the first axis.

65. A method as set forth in claim 51 wherein the first and second bones are interconnected for pivotal movement about a first axis which extends through the joint interconnecting the first and second bones, said step of moving the wedge member into the joint between the first and second bones includes applying force against the first and second bones with a wedge member having an extent along the first axis which is less than the extent of the joint along the first axis.

66. A method as set forth in claim 51 wherein the wedge member has first and second arcuate surface areas, said first arcuate surface area being spaced a first distance from a central axis of said wedge member and said second arcuate surface area being spaced a second distance from the central axis of said wedge member, said first distance being smaller than said second distance, said step of moving the wedge

member into the joint between the first and second bones includes rotating the wedge member about its central axis and transmitting force to the first and second bones from the first and second arcuate surface areas during rotation of the wedge member about its central axis.

67. A method as set forth in claim 66 wherein said step of rotating the wedge member includes rotating the wedge member through a distance which is less than one complete revolution about the central axis of the wedge member.

68. A method as set forth in claim 67 wherein the wedge member tapers from a thick portion to a thin portion in a direction along the axis about which the wedge member is rotated, said step of moving the wedge member into the joint between the first and second bones includes expanding a portion of the joint adjacent to the thick portion of the wedge member to a greater extent than a portion of the joint adjacent to the thin portion of the wedge member.

69. A method as set forth in claim 51 wherein the wedge member has first and second surface areas each of which is spaced a first distance from a central axis of said wedge member and third and fourth surface areas each of which is spaced a second distance from a central axis of said wedge member, said second distance being greater than said first distance, said step of moving the wedge member into the joint between the first and second bones includes positioning the wedge member between the first and second bones with the first surface area on the wedge member in engagement with a first surface area on the first bone and the second surface area on the wedge member in engagement with a first surface area on the second bone and rotating the wedge member about its central axis and moving the third surface area on the wedge member into engagement with the first surface area on the first bone and moving the fourth surface area on the wedge member into engagement with the first surface area on the second bone.

70. A method as set forth in claim 51 wherein said wedge member has first and second surface areas which are spaced a first distance apart, said wedge member has third and fourth surface areas which are spaced a second distance apart, said second distance being greater than said first distance, said step of moving the wedge member into the joint between the first and second bones includes positioning the wedge member between the first and second bones and rotating the wedge member from a first position in which the first and second surface areas are adjacent to surfaces on the first and second bones to a second position in which the third and fourth surface areas are adjacent to the surfaces on the first and second bones.

71. A method as set forth in claim 51 wherein said wedge member has a corner portion and an arcuate side surface which is spaced from said corner portion, said step of moving the wedge member into the joint between the first and second bones includes pivoting the wedge member about an axis which is disposed adjacent to the corner portion of said wedge member.

72. A method as set forth in claim 71 wherein said step of pivoting the wedge member includes engaging the first bone with the corner portion of the wedge member and sliding the arcuate side surface of the wedge member along an outer side surface on the second bone.

73. A method as set forth in claim 51 wherein the wedge member has surfaces which define a plurality of openings extending through said wedge member, said method further includes growing body tissue through the openings in the wedge member.

74. A method as set forth in claim 51 wherein said wedge member is hollow and contains body tissue growth promot-

ing material, said method further includes growing body tissue through openings in said wedge member.

75. A method of changing a spatial relationship between first and second bones which are pressed together at a joint in a patient's body, said method comprising the steps of forming an opening in a portion of the patient's body to expose the joint at which the first and second bones are pressed together, moving the second bone relative to the first bone, said step of moving the second bone relative to the first bone includes expanding at least a portion of the joint by moving a wedge member into the joint while the first and second bones are being pressed together and applying force against the first and second bones with the wedge member at a portion of the joint where the first and second bones are pressed together upon initiation of said step of moving the wedge member into the joint, closing the opening in the patient's body with at least a portion of the wedge member disposed between the first and second bones at the joint interconnecting the first and second bones, and, thereafter, transmitting force between the first and second bones through the wedge member to maintain the joint in the expanded condition.

76. A method as set forth in claim 75 wherein said step of applying force against the first and second bones with the wedge member includes sliding a first surface on the wedge member along an outer side surface on the first bone in a direction of movement of the wedge member into the portion of the joint where the first and second bones are pressed together upon initiation of said step of moving the wedge member into the joints and sliding a second surface on the wedge member along an outer side surface on the second bone in a direction of movement of the wedge member into the portion of the joint where the first and second bones are pressed together upon initiation of said step of moving the wedge member into the joint.

77. A method as set forth in claim 75 wherein said step of applying force against the first and second bones with the wedge member includes rotating the wedge member about an axis which extends through the joint interconnecting the first and second bones.

78. A method as set forth in claim 75 wherein said step of moving the second bone relative to the first bone includes pivoting the second bone relative to the first bone about an axis which extends through the joint interconnecting the first and second bones.

79. A method as set forth in claim 75 wherein said wedge member tapers from a thick end portion to a thin end portion, said thin end portion of said wedge member being disposed between ends of said first and second bones at the joint interconnecting the first and second bones at a location where the first and second bones are pressed together upon initiation of said step of moving the wedge member into the joint and said thick end portion of said wedge member being disposed adjacent to a portion of the joint which was expanded during performance of said step of applying force against the first and second bones with a wedge member.

80. A method as set forth in claim 75 wherein the first and second bones are interconnected for pivotal movement about a first axis at the joint interconnecting the first and second bones, said step of applying force against the first and second bones with a wedge member includes moving the wedge member into the joint in a direction extending along the first axis.

81. A method as set forth in claim 75 wherein the first and second bones are interconnected for pivotal movement about a first axis at the joint interconnecting the first and second bones, said step of applying force against the first and

second bones with a wedge member includes moving the wedge member into the joint in a direction extending transverse to the first axis.

**82.** A method as set forth in claim **75** wherein the first and second bones are interconnected for pivotal movement about a first axis at the joint interconnecting the first and second bones, said step of applying force against the first and second bones with a wedge member includes applying force against the first and second bones with a wedge member having an extent along the first axis which is less than the extent of the joint along the first axis.

**83.** A method as set forth in claim **75** wherein the wedge member has first and second arcuate surface areas, said step of applying force against the first and second bones with the wedge member includes rotating the wedge member about an axis which is disposed between the first and second arcuate surface areas and transmitting force to the first and second bones from the first and second arcuate surface areas during rotation of the wedge member about the axis disposed between the first and second arcuate surface areas.

**84.** A method as set forth in claim **83** wherein said step of rotating the wedge member includes rotating the wedge member through a distance which is less than one complete revolution about the axis disposed between the first and second arcuate surface areas.

**85.** A method as set forth in claim **84** wherein the wedge member tapers from a thick portion to a thin portion in a direction along the axis about which the wedge member is rotated, said step of expanding the joint interconnecting the first and second bones includes expanding a portion of the joint adjacent to the thick portion of the wedge member to a greater extent than a portion of the joint adjacent to the thin portion of the wedge member.

**86.** A method as set forth in claim **75** wherein the wedge member has first and second surface areas each of which is spaced a first distance from a central axis of said wedge member and third and fourth surface areas each of which is spaced a second distance from a central axis of said wedge member, said second distance being greater than said first distance, said step of moving the second bone relative to the first bone includes positioning the wedge member between the first and second bones with the first surface area on the wedge member in engagement with a first surface area on the first bone and the second surface area on the wedge member in engagement with a first surface area on the second bone at a location where the first and second bones are pressed together upon initiation of said step of moving the wedge member into the joint, said step of expanding the joint includes rotating the wedge member about its central axis and moving the third surface area on the wedge member into engagement with the first surface area on the first bone and moving the fourth surface area on the wedge member into engagement with the first surface area on the second bone.

**87.** A method as set forth in claim **75** wherein said wedge member has first and second surface areas which are spaced a first distance apart, said wedge member has third and fourth surface areas which are spaced a second distance apart, said second distance being greater than said first distance, said step of moving the second bone relative to the first bone includes positioning the wedge member between the first and second bones at a location where the first and second bones are pressed together upon initiation of said step of moving the wedge member into the joint and rotating the wedge member from a first position in which the first and second surface areas are adjacent to surfaces on the first and second bones to a second position in which the third and fourth surface areas are adjacent to the surfaces on the first and second bones.

**88.** A method as set forth in claim **75** wherein said wedge member has a corner portion and an arcuate side surface

which is spaced from said corner portion, said step of moving the second bone relative to the first bone includes pivoting the wedge member about an axis which is disposed adjacent to the corner portion of said wedge member.

**89.** A method as set forth in claim **88** wherein said step of pivoting the wedge member includes engaging the first bone with the corner portion of the wedge member and sliding the arcuate side surface of the wedge member along an outer side surface on the second bone.

**90.** A method as set forth in claim **75** wherein the wedge member has surfaces which define a plurality of openings extending through said wedge member, said method further includes growing body tissue through the openings in the wedge member.

**91.** A method as set forth in claim **75** wherein said wedge member is hollow and contains body tissue growth promoting material, said method further includes growing body tissue through openings in said wedge member.

**92.** A method of changing a spatial relationship between first and second bones which are interconnected at a joint in a patient's body, said method comprising the steps of moving a wedge member into the joint between the first and second bones with a thin end portion of the wedge member leading and a thick end portion of the wedge member trailing, moving the second bone from a first orientation relative to the first bone to a second orientation relative to the first bone under the influence of force transmitted from the wedge member to the second bone during movement of the wedge member into the joint between the first and second bones, connecting the wedge member to the second bone, transmitting force between the first and second bones through the wedge member while the second bone is in the second orientation relative to the first bone and, thereafter, moving the second bone from the second orientation to a third orientation relative to the first bone under the influence of force transmitted from the patient to the second bone.

**93.** A method as set forth in claim **92** wherein a first surface area on said first bone and a first surface area on said second bone are pressed together when the first and second bones are in the first orientation prior to performance of said step of moving the wedge member into the joint, said step of moving the wedge member into the joint includes sliding a first surface area on the wedge member along the first surface area on the first bone and sliding a second surface area on the wedge member along the first surface area on the second bone to move the first surface area on the second bone away from the first surface area on the first bone under the influence of force applied against the first surface area on the second bone by the wedge member.

**94.** A method as set forth in claim **93** further including the steps of maintaining the wedge member stationary relative to the second bone during movement of the second bone relative to the first bone after performance of said step of connecting the wedge member to the second bone.

**95.** A method as set forth in claim **92** wherein said step of moving a wedge member into a joint between the first and second bones includes rotating the wedge member about an axis which extends through the thick and thin end portions of the wedge member.

**96.** A method as set forth in claim **92** wherein said step of moving the wedge member into the joint between the first and second bones includes moving the wedge member along a path which extends between an end portion of the first bone and an end portion of the second bone.

**97.** A method as set forth in claim **96** wherein said step of moving the wedge member along a path which extends between the end portions of the first and second bones includes increasing a distance between a surface area on the end portion of the first bone and a surface area on the second bone under the influence of force transmitted from the wedge member to the end portions of the first and second bones.

98. A method of changing a spatial relationship between first and second bones which are pressed together at a joint in a patient's body, said method comprising the steps of initiating movement of a wedge member into the joint between end portions of the first and second bones while the end portions of the first and second bones are being pressed together and force is being transmitted between the end portions of the first and second bones, and, thereafter, rotating the wedge member from a first orientation in which first and second surface areas on the wedge member are in engagement with the end portions of the first and second bones to a second orientation in which third and fourth surface areas on the wedge member are in engagement with the end portions of the first and second bones, the third and fourth surface areas on the wedge member being spaced further apart than the first and second surface areas on the wedge member.

99. A method as set forth in claim 98 wherein said step of rotating the wedge member from a first orientation to a second orientation includes rotating the wedge member about an axis which extends through the wedge member at a location between the first and second surface areas.

100. A method as set forth in claim 98 wherein said step of rotating the wedge member includes rotating the wedge member through a distance which is less than one complete revolution of the wedge member.

101. A method as set forth in claim 98 wherein said step of rotating the wedge member from the first orientation to the second orientation includes rotating the wedge member about a location where the wedge member engages the first bone.

102. A method as set forth in claim 98 wherein said step of rotating the wedge member from the first orientation to the second orientation includes sliding the wedge member along a surface area on the end portion of the second bone.

103. A method as set forth in claim 98 wherein said step of rotating the wedge member from the first orientation to the second orientation includes sliding the wedge member along a surface area on the end portion of the first bone.

104. A method as set forth in claim 98 wherein said step of rotating the wedge member from the first orientation to the second orientation includes rotating the wedge member about a location where a corner portion of the wedge member engages the first bone.

105. An apparatus for use in changing the spatial relationship between first and second bones which are interconnected at a joint in a patient's body, said apparatus comprising a wedge member which is movable into the joint between the first and second bones, said wedge member having a thin end portion, a thick end portion, a first major side surface which extends from said thin end portion to said thick end portion, a second major side surface which intersects said first major side surface to form an edge at said thin end portion and extends from said thin end portion to said thick end portion, and a minor side surface which extends between said first and second major side surfaces and tapers from said thick end portion to said thin end portion, said wedge member having a plurality of passages which extend between said first and second major side surfaces for enabling bone to grow through said wedge member.

106. An apparatus as set forth in claim 105 further including a connector element extending from said wedge member to the first bone to fixedly connect said wedge member with the first bone.

107. A method of changing a spatial relationship between first and second bones having longitudinal axes which extend through a joint in a patient's body, said method comprising the steps of moving a wedge member into the joint, said step of moving the wedge member into the joint includes moving a leading end portion of the wedge member through the longitudinal central axis of the first bone and

through the longitudinal central axis of the second bone, and moving the second bone relative to the first bone under the influence of force transmitted from the wedge member as the wedge member moves into the joint to change an angular relationship between the longitudinal central axes of the first and second bones from a first angular relationship in which the longitudinal central axes of the first and second bones extend through the joint and are spaced from the wedge member to a second angular relationship in which the longitudinal central axes of the first and second bones extend through both the joint and the wedge member, said step of moving the second bone relative to the first bone includes applying force against a surface area on the first bone and against a surface area on the second bone with the wedge member as the wedge member moves into the joint.

108. A method as set forth in claim 107 wherein the surface area on the first bone and the surface area on the second bone are pressed together when the longitudinal central axes of the first and second bones are in the first angular relationship, the surface area on the first bone and the surface area on the second bone are pressed against opposite sides of the wedge member when the central axes of the first and second bones are in the second angular relationship.

109. A method as set forth in claim 107 wherein the step of moving the second bone relative to the first bone includes pivoting the second bone about an axis which extends through the joint in a direction transverse to the longitudinal central axes of the first and second bones.

110. A method as set forth in claim 107 further including the step of moving the second bone relative to the first bone under the influence of force transmitted to the second bone by the patient to change the angular relationship of longitudinal central axes of the first and second bones from the second angular relationship to a third angular relationship in which the longitudinal central axes of the first and second bones extend through the joint.

111. A method as set forth in claim 107 wherein said step of applying force against the surface areas on the first and second bones with the wedge member includes sliding the wedge member along the surface on the first bone and sliding the wedge member along the surface on the second bone without rotating the wedge member relative to the joint.

112. A method as set forth in claim 107 wherein said step of applying force against the surface areas on the first and second bones with the wedge member includes rotating the wedge member about an axis which extends through the joint in a direction transverse to the longitudinal central axes of the first and second bones.

113. A method as set forth in claim 107 wherein the first and second bones are interconnected for pivotal movement about a pivot axis which extends transverse to the longitudinal central axes of the first and second bones, said step of applying force against surface areas on the first and second bones with the wedge member includes moving the wedge member into the joint in a direction extending along the pivot axis.

114. A method as set forth in claim 107 wherein the first and second bones are interconnected for pivotal movement about a pivot axis which extends transverse to the longitudinal central axes of the first and second bones, said step of applying force against the first and second bones with the wedge member includes moving the wedge member into the joint in a direction extending transverse to the pivot axis and transverse to the longitudinal central axes of the first and second bones.

115. A method as set forth in claim 107 wherein the wedge member has first and second arcuate surface areas, said step of applying force against surface areas on the first and second bones with the wedge member includes rotating the

wedge member and transmitting force to the first surface areas on the first and second bones from the first and second arcuate surface areas on the wedge member during rotation of the wedge member, said step of rotating the wedge member includes rotating the wedge member about an axis which is disposed between the first and second arcuate surfaces areas and extends transverse to the longitudinal central axes of the first and second bones.

**116.** A method as set forth in claim **115** wherein said step of rotating the wedge member includes rotating the wedge member through a distance which is less than one complete revolution about the axis disposed between the first and second arcuate surface areas.

**117.** A method as set forth in claim **116** wherein the wedge member tapers from a thick portion to a thin portion in a direction along the axis about which the wedge member is rotated, said step of moving the wedge member into the joint includes expanding a portion of the joint adjacent to the thick portion of the wedge member to a greater extent than a portion of the joint adjacent to the thin portion of the wedge member.

**118.** A method as set forth in claim **107** wherein the wedge member has first and second surface areas each of which is spaced a first distance from a central axis of said wedge member and third and fourth surface areas each of which is spaced a second distance from a central axis of said wedge member, said second distance being greater than said first distance, said step of moving the second bone relative to the first bone includes positioning the wedge member between the first and second bones with the first surface area on the wedge member in engagement with the surface area on the first bone and the second surface area on the wedge member in engagement with the surface area on the second bone, said step of moving the wedge member into the joint includes rotating the wedge member about its central axis and moving the third surface area on the wedge member into engagement with the surface area on the first bone and moving the fourth surface area on the wedge member into engagement with the surface area on the second bone.

**119.** A method as set forth in claim **107** wherein said wedge member has first and second surface areas which are spaced a first distance apart, said wedge member has third and fourth surface areas which are spaced a second distance apart, said second distance being greater than said first distance, said step of moving the second bone relative to the first bone includes positioning the wedge member between the first and second bones and rotating the wedge member from a first position in which the first and second surface areas are adjacent to the surfaces on the first and second bones to a second position in which the third and fourth surface areas are adjacent to the surfaces on the first and second bones.

**120.** A method as set forth in claim **107** wherein said wedge member has a corner portion and an arcuate side surface which is spaced from said corner portion, said step of moving the second bone relative to the first bone includes pivoting the wedge member about an axis which is disposed adjacent to the corner portion of said wedge member.

**121.** A method as set forth in claim **120** wherein said step of pivoting the wedge member includes engaging the surface on the first bone with the corner portion of the wedge member and sliding the arcuate side surface of the wedge member along the surface on the second bone.

**122.** A method as set forth in claim **107** wherein the wedge member has surfaces which define a plurality of openings extending through said wedge member, said method further includes growing body tissue through the openings in the wedge member.

**123.** A method as set forth in claim **107** wherein said wedge member is hollow and contains body tissue growth promoting material, said method further includes growing body tissue through openings in said wedge member.

**124.** A method of changing a spatial relationship between first and second bones which are interconnected at a joint in a patient's body, said method comprising the steps of moving a wedge member into the joint between the first and second bones to move the second bone from a first orientation relative to the first bone to a second orientation relative to the first bone, a first surface area on said first bone is in engagement with a first surface area on said second bone when the first and second bones are in the first orientation prior to performance of said step of moving the wedge member into the joint, said step of moving the wedge member into the joint includes sliding a first surface area on the wedge member along the first surface area on the first bone and sliding a second surface area on the wedge member along the first surface area on the second bone to move the first surface area on the second bone out of engagement with the first surface area on the first bone under the influence of force applied against the first surface area on the second bone by the wedge member, and transmitting force between the first and second bones through the wedge member while the second bone is in the second orientation relative to the first bone.

**125.** A method as set forth in claim **124** further including the steps of fixedly connecting said wedge member to one of said first and second bones and maintaining the wedge member stationary relative to said one of said first and second bones during movement of another of said first and second bones relative to said one of said first and second bones after performance of said step of fixedly connecting the wedge member to said one of said first and second bones.

**126.** A method as set forth in claim **124** wherein said step of moving a wedge member into a joint between the first and second bones includes rotating the wedge member about an axis which extends through the wedge member.

**127.** A method as set forth in claim **124** wherein said step of moving the wedge member into the joint between the first and second bones includes moving the wedge member along a path which extends between an end portion of the first bone and an end portion of the second bone.

**128.** A method as set forth in claim **127** wherein said step of moving the wedge member along a path which extends between the end portions of the first and second bones includes increasing a distance between a surface area on the end portion of the first bone and a surface area on the second bone under the influence of force transmitted from the wedge member to the end portions of the first and second bones.

**129.** A method as set forth in claim **128** further including the step of connecting the wedge member to only the end portion of the first bone to enable the end portion of the second bone to move relative to the wedge member under the influence of force applied against the second bone by the patient.